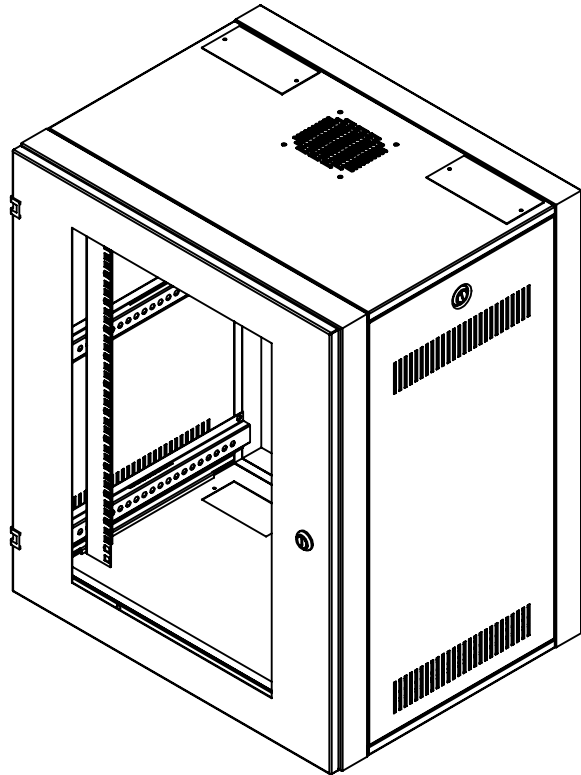
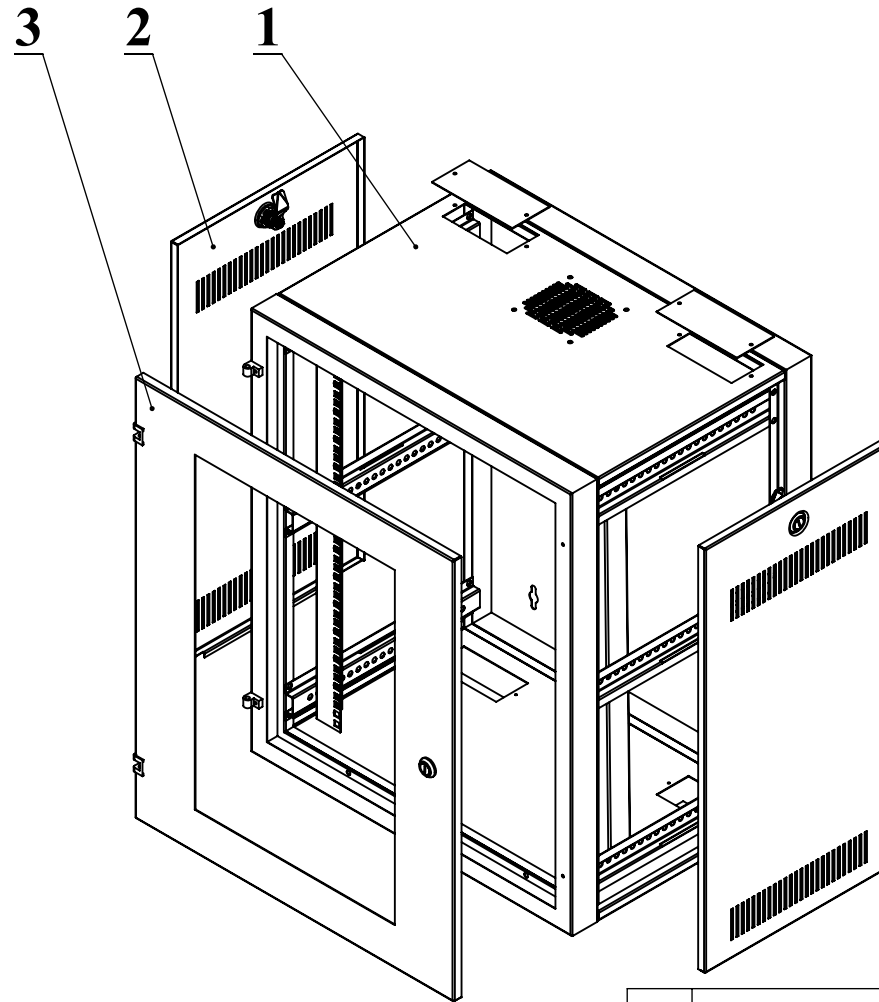


ISOMETRIC VIEW



EXPLODE VIEW



3	Front door	1	1.2	Mica
2	Side door	2	1.2	
1	Frame	1	1.2	
Item	Name	Q'TY	Thick	Description



ANH MINH TECHNOLOGY COMPANY LIMITED-AMTEC CO.,LTD
 17/3, Binh Quoi A, Binh Chuan, Thuan An, Binh Duong, Viet Nam
 Tel: (84-650) 3612177 Fax: (84-650) 3612178
 Email: info@amtec.com.vn Web: www.amtec.com.vn

Customer:

-

Drawing title:

AMTEC SMART - NET WALL MOUNT
 ENCLOSURE 15U

Part No:

AMS-W15

Design by: NGUYỄN XUÂN HÙNG Date: 15-09-2013

Checked by: LÊ HOÀNG TUẤN Date: 15-09-2013

Material: SPCC t=1 to 1.5

Scale: 1:10



Sheet No:

Drawn by: NGUYỄN XUÂN HÙNG Date: 15-09-2013

Approved by: PHAN QUANG ĐỨC Date: 15-09-2013

Qty/Job:

-

Unit: mm

02

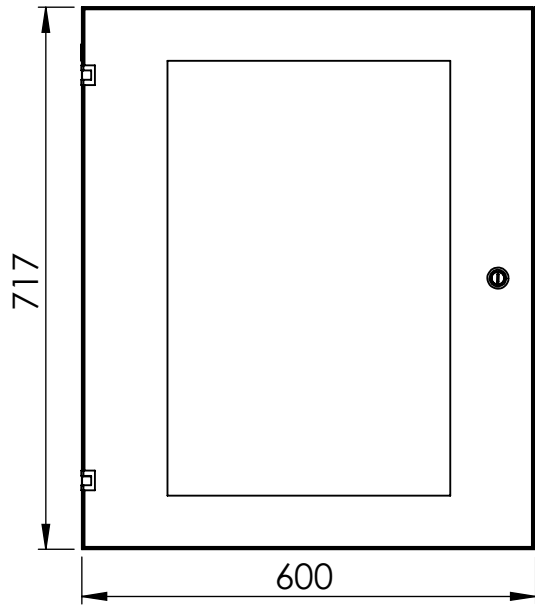
File name:

-

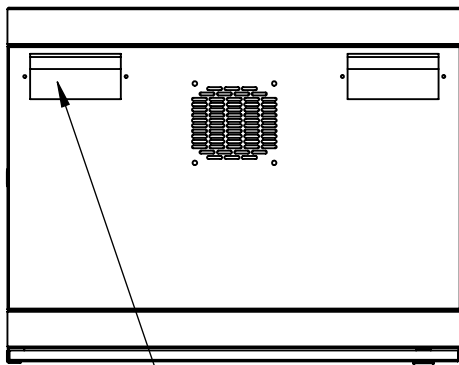
Drawing No:

01

FRONT VIEW

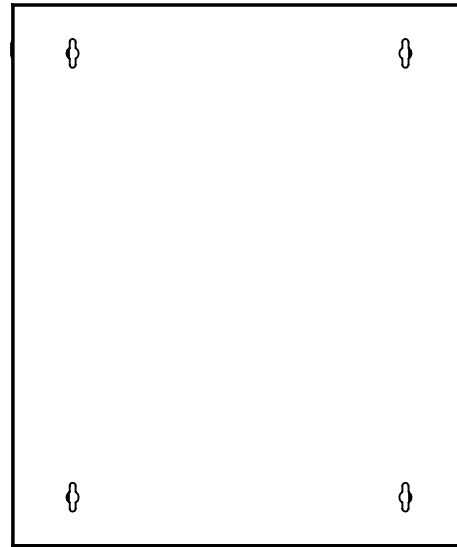


TOP VIEW

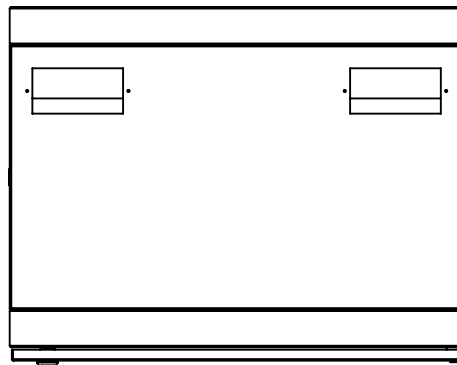


Cable hole 60x120 (4x)

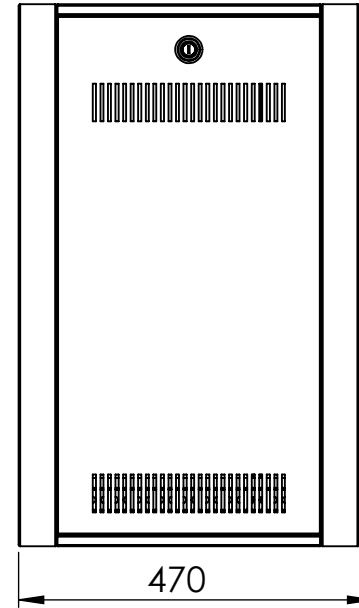
BACK VIEW



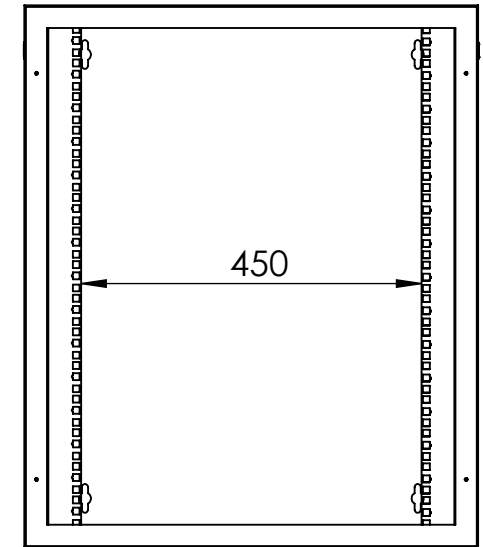
BOTTOM VIEW



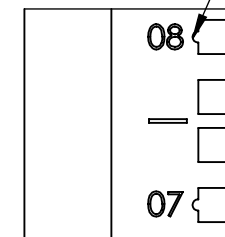
SIDE VIEW



FRONT VIEW (REMOVED DOOR)



KEY ID



MOUNTING PROFILE WITH KEY ID&U-HIGH NUMBERING



ANH MINH TECHNOLOGY COMPANY LIMITED-AMTEC CO.,LTD
 17/3 Binh Quoi A, Binh Chuan, Thuan An, Binh Duong, Viet Nam
 Tel: (84-650) 3612177 Fax: (84-650) 3612178
 Email: info@amtec.com.vn Web: www.amtec.com.vn

Customer:	-	Drawing title:	AMTEC SMART - NET WALL MOUNT ENCLOSURE 15U		Part No:	AMS-W15								
Design by:	NGUYỄN XUÂN HÙNG	Date:	15-09-2013	Checked by:	LÊ HOÀNG TUẤN	Date:	15-09-2013		Material:	SPCC	\pm 1 to 1.5	Scale:	1:10	Sheet No:
Drawn by:	NGUYỄN XUÂN HÙNG	Date:	15-09-2013	Approved by:	PHAN QUANG ĐỨC	Date:	15-09-2013		Q'ty/Job:	-		Unit:	mm	02
File name:	-								Drawing No:	02				