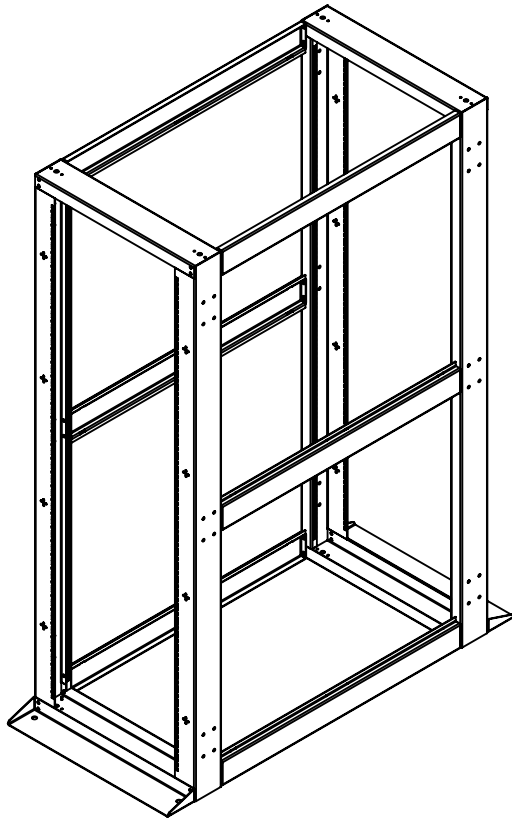
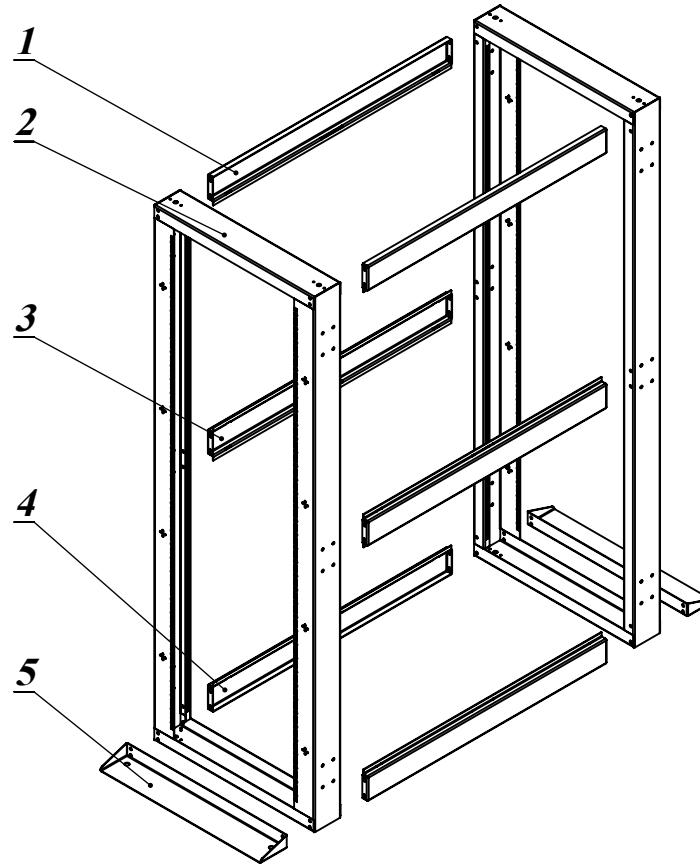


ISOMETRIC VIEW



EXPLODE VIEW



5	Base support	2	2.0	
4	Bottom Support	2	2.0	
3	Middle Support	2	2.0	
2	Frame	2	2.0	
1	Top Support	2	2.0	
Item	Name	Q'TY	Thick	Description



ANH MINH TECHNOLOGY COMPANY LIMITED-AMTEC CO.,LTD
 17/3 Binh Quoi, Binh Chuan, Thuan An, Binh Duong, Viet Nam
 Tel: (84-650) 3612177 Fax: (84-650) 3612178
 Email: info@amtec.com.vn Web: www.amtec.com.vn

Customer:

-

Drawing title:

AMTEC SMART- NET 4 POST OPEN RACK 36U 600x1100

Part No:

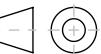
AMS-O36-4-110

Design by: NGUYỄN XUÂN HÙNG Date: 10-03-2016

Checked by: LÊ HOÀNG TUẤN Date: 10-03-2016

Material: SPCC \varnothing 2

Scale: 1:20



Sheet No:

Drawn by: NGUYỄN XUÂN HÙNG Date: 10-03-2016

Approved by: PHAN QUANG ĐỨC Date: 10-03-2016

Qty/Job:

-

Unit: mm

02

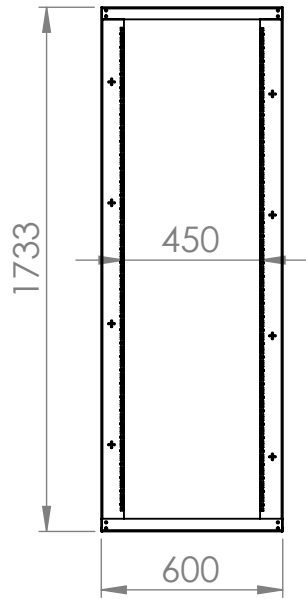
File name:

-

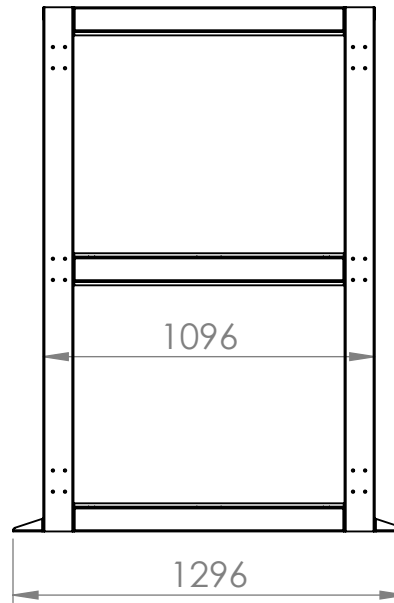
Drawing No:

01

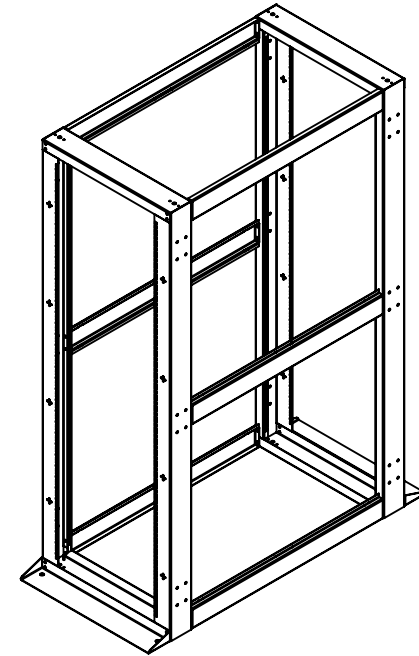
FRONT VIEW



SIDE VIEW



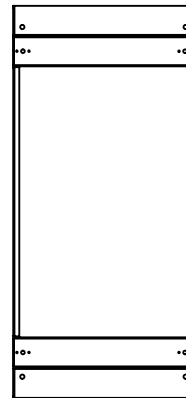
ISOMETRIC VIEW



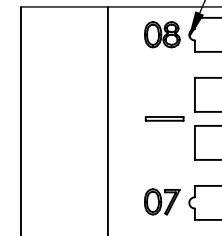
TOP VIEW



BOTTOM VIEW



KEY ID

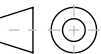


MOUNTING PROFILE WITH KEY ID&U-HIGH NUMBERING



ANH MINH TECHNOLOGY COMPANY LIMITED-AMTEC CO.,LTD
 17/3 Binh Quoi, Binh Chuan, Thuan An, Binh Duong, Viet Nam
 Tel: (84-650) 3612177 Fax: (84-650) 3612178
 Email: info@amtec.com.vn Web: www.amtec.com.vn

Customer:	-	Drawing title:	AMTEC SMART- NET 4 POST OPEN RACK 36U 600x1100	Part No:	AMS-036-4-110
Design by:	NGUYỄN XUÂN HÙNG Date: 10-03-2016	Checked by:	LÊ HOÀNG TUẤN Date: 10-03-2016	Material:	SPCC t=2
Drawn by:	NGUYỄN XUÂN HÙNG Date: 10-03-2016	Approved by:	PHAN QUANG ĐỨC Date: 10-03-2016	Qty/Job:	-
File name:	-	Drawing No:	02	Scale:	1:25
				Unit:	mm



Sheet No:
02