
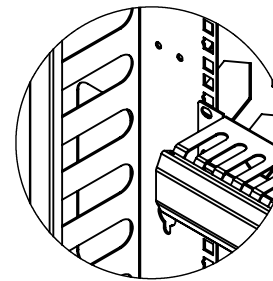
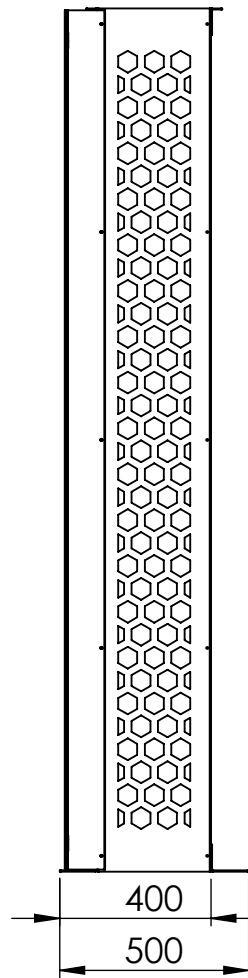
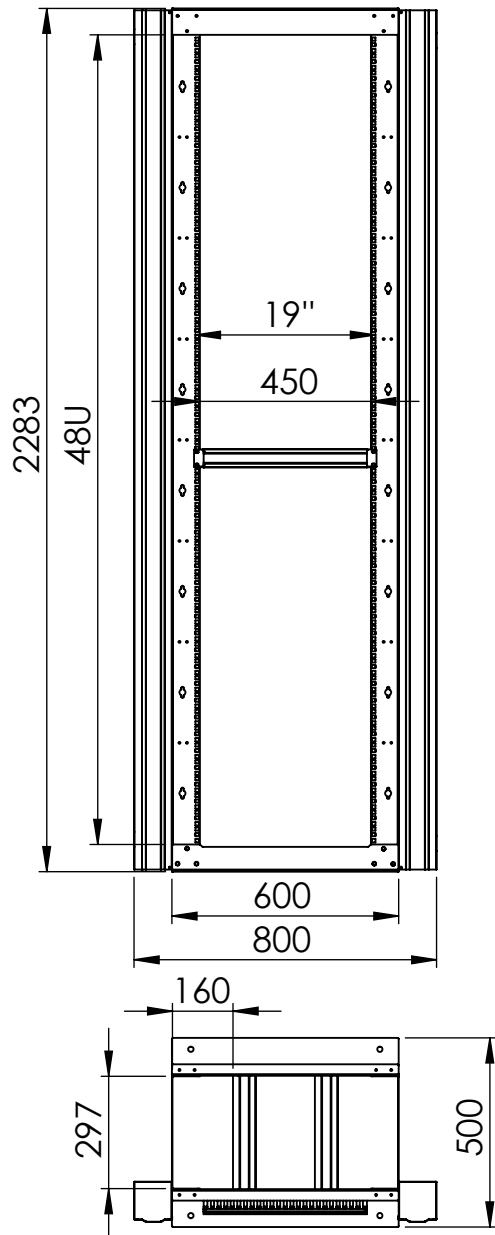
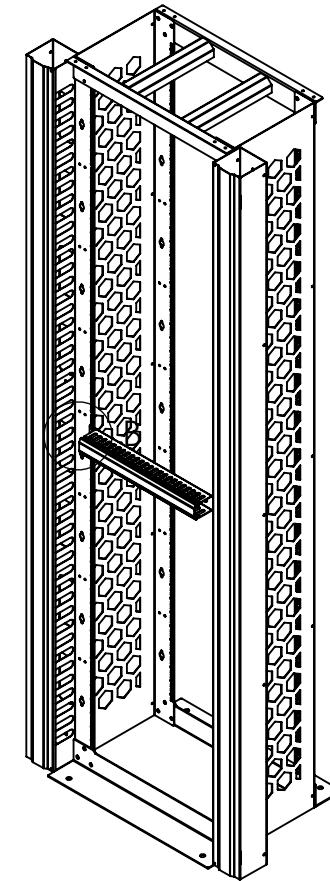


ANH MINH TECHNOLOGY COMPANY LIMITED-AMTEC CO.,LTD
 17/3, Binh Quoi A, Binh Chuan, Thuan An, Binh Duong, Viet Nam
 Tel: (84-274) 3612177 Fax: (84-274) 3612178
 Email: info@amtec.com.vn Web: www.amtec.com.vn

Customer:	-	Drawing title:	AMTEC ROYAL-DC DATACENTER OPEN RACK 48U 600x300 (2 VERTICAL CABLE MANAGEMENT 48U)		Part No:	AMDC-O48-630	 Sheet No: 03	
Design by:	NGUYỄN XUÂN HÙNG Date: 15-07-2022	Checked by:	LÊ HOÀNG TUẤN Date: 15-07-2022	Material:	SPCC t=2 to 5	Scale:		1:20
Drawn by:	NGUYỄN XUÂN HÙNG Date: 15-07-2022	Approved by:	PHAN QUANG ĐỨC Date: 15-07-2022	Qty/Job:	-	Unit:		mm
File name:	-	Drawing No:	01					



DETAIL B
SCALE 1 : 5



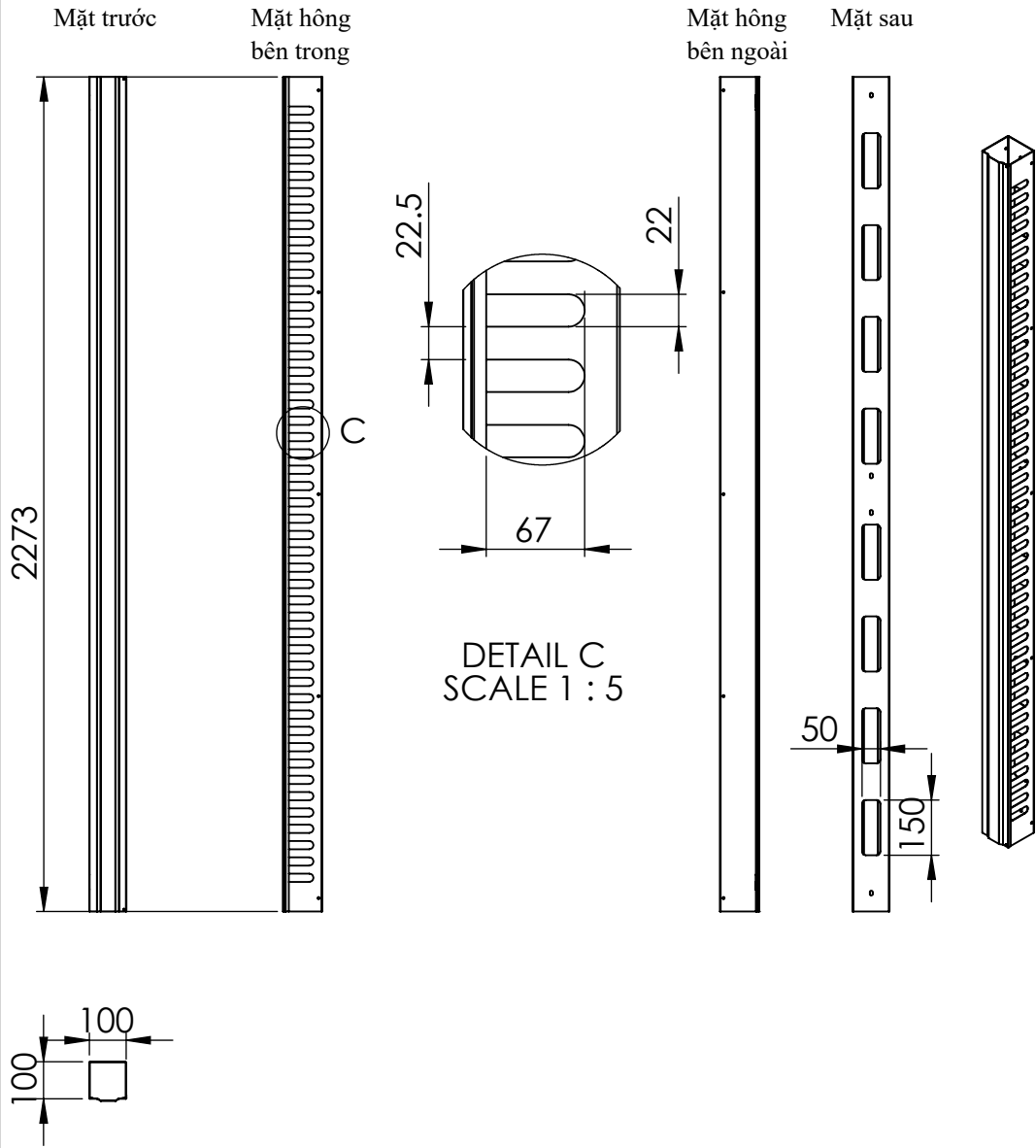
ANH MINH TECHNOLOGY COMPANY LIMITED-AMTEC CO.,LTD
 17/3, Binh Quoi A, Binh Chuan, Thuan An, Binh Duong, Viet Nam
 Tel: (84-274) 3612177 Fax: (84-274) 3612178
 Email: info@amtec.com.vn Web: www.amtec.com.vn

Customer:	-	Drawing title:	AMTEC ROYAL-DC DATACENTER OPEN RACK 48U 600x300 (2 VERTICAL CABLE MANAGEMENT 48U)		Part No:	AMDC-048-630
Design by:	NGUYỄN XUÂN HÙNG	Date:	15-07-2022	Checked by:	LÊ HOÀNG TUẤN	Date: 15-07-2022
Drawn by:	NGUYỄN XUÂN HÙNG	Date:	15-07-2022	Approved by:	PHAN QUANG ĐỨC	Date: 15-07-2022
File name:	-	Material:	SPCC	t=2 to 5	Scale:	1:20
		Qty/Job:	-	Unit:	mm	
		Drawing No:	02			

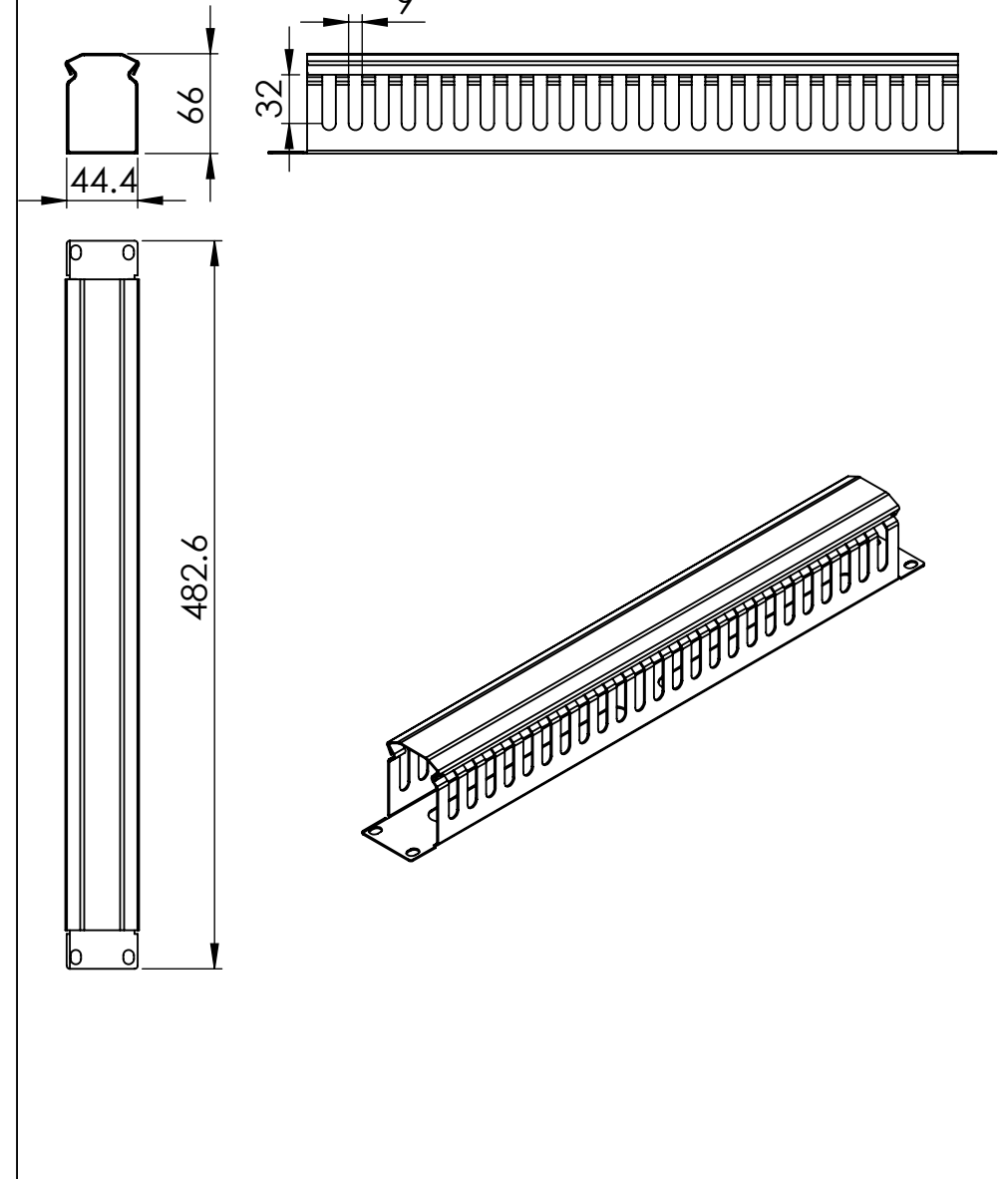


Sheet No:
03

Quản lý cáp đứng 48U



Quản lý cáp ngang 1U



amtec
 ANH MINH TECHNOLOGY COMPANY LIMITED-AMTEC CO.,LTD
 17/3, Binh Quoi A, Binh Chuan, Thuan An, Binh Duong, Viet Nam
 Tel: (84-274) 3612177 Fax: (84-274) 3612178
 Email: info@amtec.com.vn Web: www.amtec.com.vn

Customer: -
Design by: NGUYỄN XUÂN HÙNG **Date:** 15-07-2022
Drawn by: NGUYỄN XUÂN HÙNG **Date:** 15-07-2022
File name: -

Drawing title:
 AMTEC ROYAL-DC DATACENTER OPEN RACK 48U 600x300
 (2 VERTICAL CABLE MANAGEMENT 48U)
Checked by: LÊ HOÀNG TUẤN **Date:** 15-07-2022
Approved by: PHAN QUANG ĐỨC **Date:** 15-07-2022

Part No: AMDC-048-630
Material: SPCC t=1 to 2
Scale: 1:20
Qty/Job: -
Unit: mm
Drawing No: 03



Sheet No:
 03