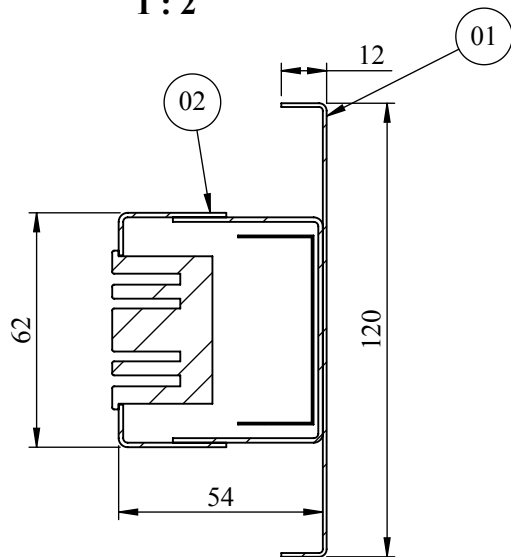
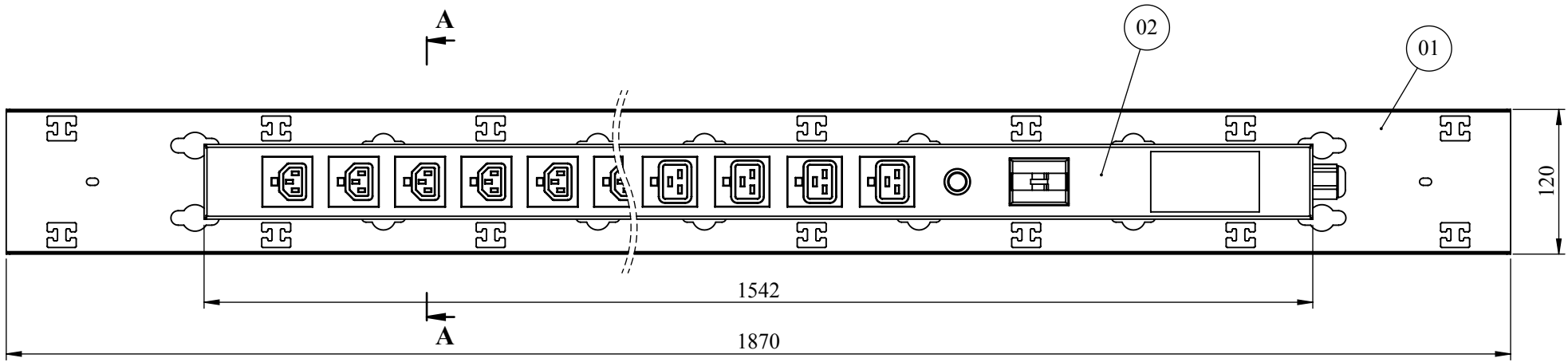


SECTION A-A
1 : 2



Item	Name	Q'Ty	Thick	Description
01	Thanh lắp PDU	1	1.0	
02	Thanh nguồn PDU	1		



amtec
ANH MINH TECHNOLOGY COMPANY LIMITED-AMTEC CO.,LTD
17/3, Binh Quoi A, Binh Chuan, Thuan An, Binh Duong, Viet Nam
Tel: (84-650) 3612177 Fax: (84-650) 3612178
Email: info@amtec.com.vn Web: www.amtec.com.vn

Customer:	-	Drawing title:	BẢN VẼ LẮP		Part No:	THANH LAP PDU & THANH NGUON PDU			
Design by:	HUỖNH HỮU AN	Date:		Checked by:	LÊ HOÀNG TUẤN	Date:			Sheet No:
Drawn by:	HUỖNH HỮU AN	Date:		Approved by:	PHAN QUANG ĐỨC	Date:			
File name:	-			Material:	SPCC t=1.0 to 2.0	Scale:	1:5		
				Qty/Job:	-	Unit:	mm		
				Drawing No:	1				