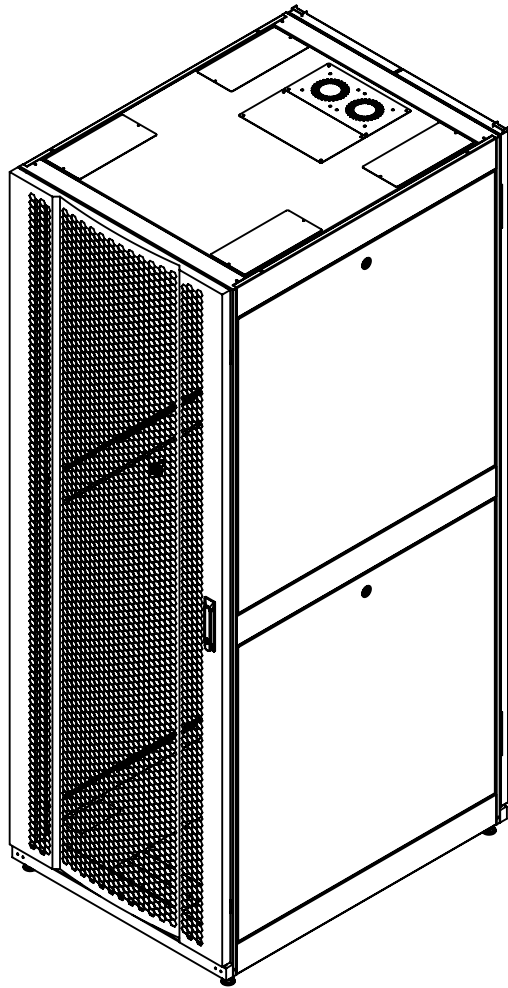
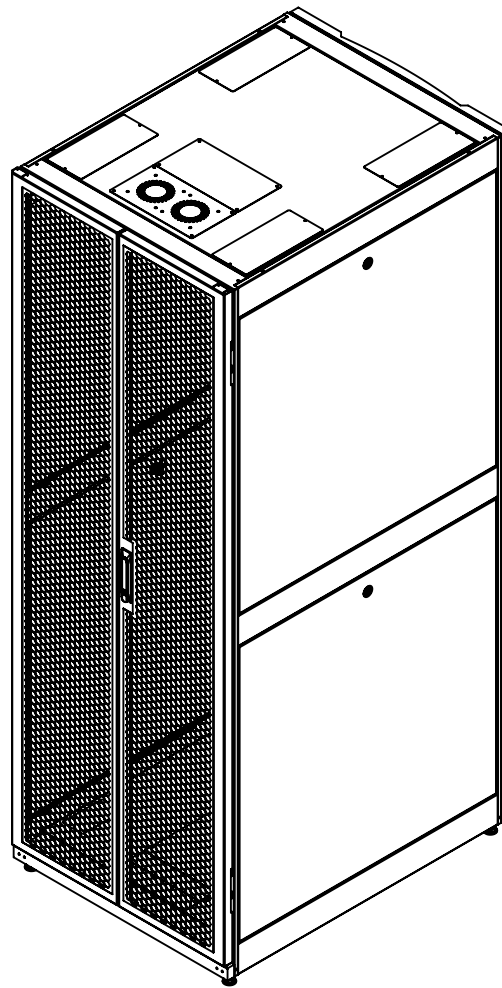


## FRONT&RIGHT VIEW



## REAR&LEFT VIEW



### Specifications

1	Standard	- ISO 9001:2015 - ISO 14001:2015 - CE, EN/IEC 62368-1, RoHS - ANSI/EIA 310-D, phần A - DIN 41494 - BS5954 phần 2 - IEC 60297-1, IEC 60297-2 - IP20
2	Material	- Posso/JSVC Steel - SPCC/SD
3	Load capacity	. On 4 Casters 1200 kg. . On 4 Leveling feet 1500kg.
4	Color	Black
5	Air flow	Hexagon Perforated door >64%



ANH MINH TECHNOLOGY COMPANY LIMITED-AMTEC CO.,LTD  
17/3, Binh Quoi A, Binh Chuan, Thuan An, Binh Duong, Viet Nam  
Tel: (84-650) 3612177 Fax: (84-650) 3612178  
Email: info@amtec.com.vn Web: www.amtec.com.vn

Customer: -

Drawing title:

AMTEC SMART-NET CABINET 48U 800x1000

Part No:

AMS48-8100

Design by: HUỲNH HỮU AN

Date:

Checked by: LÊ HOÀNG TUẤN

Date:

Material: SPCC t=1.0 to 2.0

Scale: 1:20

Sheet No:

Drawn by: HUỲNH HỮU AN

Date:

Approved by: PHAN QUANG ĐỨC

Date:

Qty/Job: -

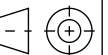
Unit: mm

7

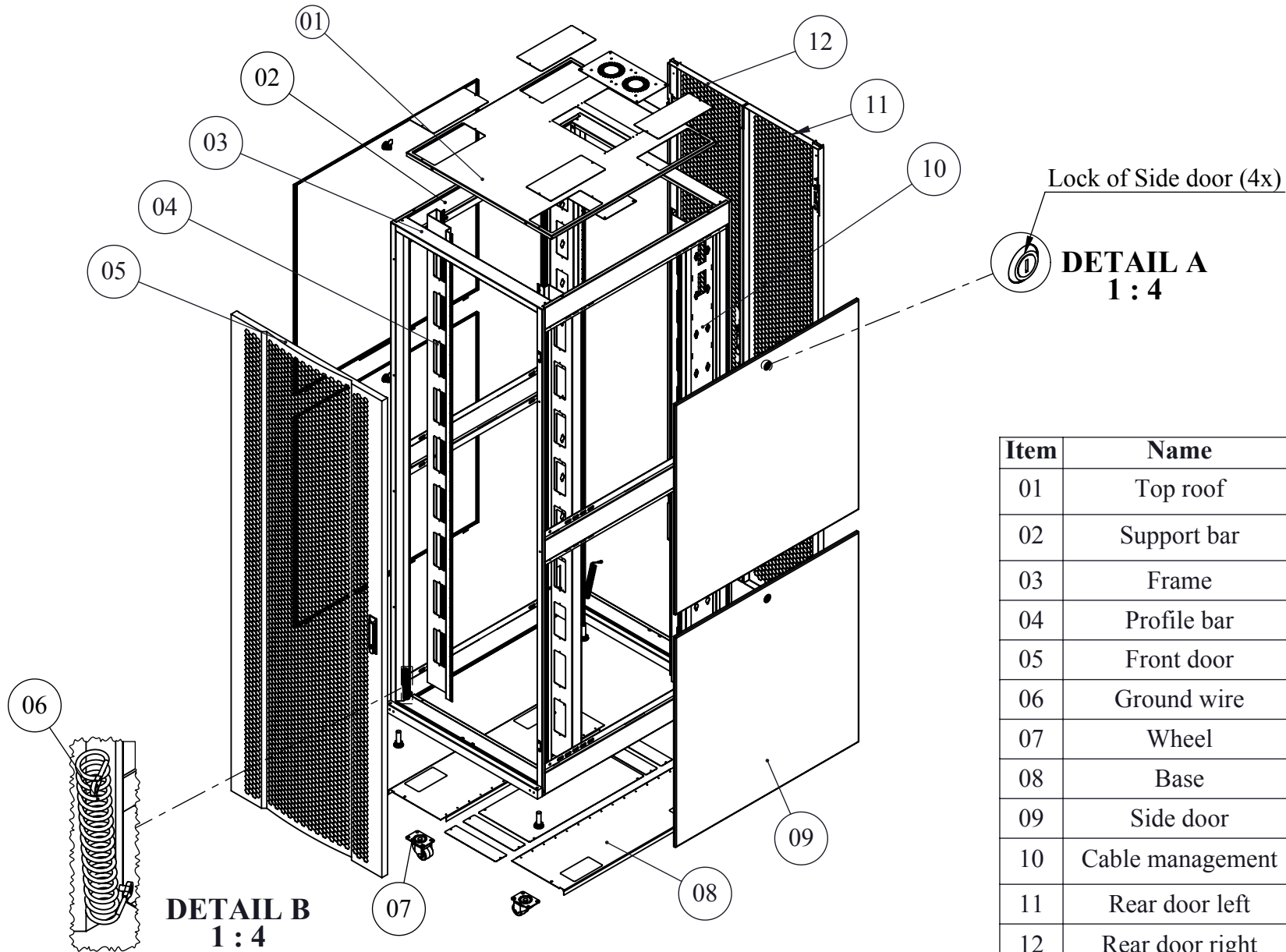
File name: -

Drawing No:

1



# EXPLODE VIEW



Item	Name	Q'Ty	Thick	Description
01	Top roof	1	1.2	
02	Support bar	6	1.5	
03	Frame	2	2.0	
04	Profile bar	4	2.0	
05	Front door	1	1.2	>64% Perforated
06	Ground wire	3		
07	Wheel	4		Phi 50 x74H
08	Base	2	1.5	
09	Side door	4	1.0	
10	Cable management	2	1.0	Up to 4 PDU
11	Rear door left	1	1.2	>64% Perforated
12	Rear door right	1	1.2	>64% Perforated



ANH MINH TECHNOLOGY COMPANY LIMITED-AMTEC CO.,LTD  
 17/3, Binh Quoi A, Binh Chuan, Thuan An, Binh Duong, Viet Nam  
 Tel: (84-650) 3612177 Fax: (84-650) 3612178  
 Email: info@amtec.com.vn Web: www.amtec.com.vn

Customer: -

Drawing title:

AMTEC SMART-NET CABINET 48U 800x1000

Part No:

AMS48-8100

Design by: HUỖNH HỮU AN

Date:

Checked by: LÊ HOÀNG TUẤN

Date:

Material: SPCC t=1.0 to 2.0

Scale: 1:22

Sheet No:

Drawn by: HUỖNH HỮU AN

Date:

Approved by: PHAN QUANG ĐỨC

Date:

Qty/Job: -

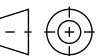
Unit: mm

7

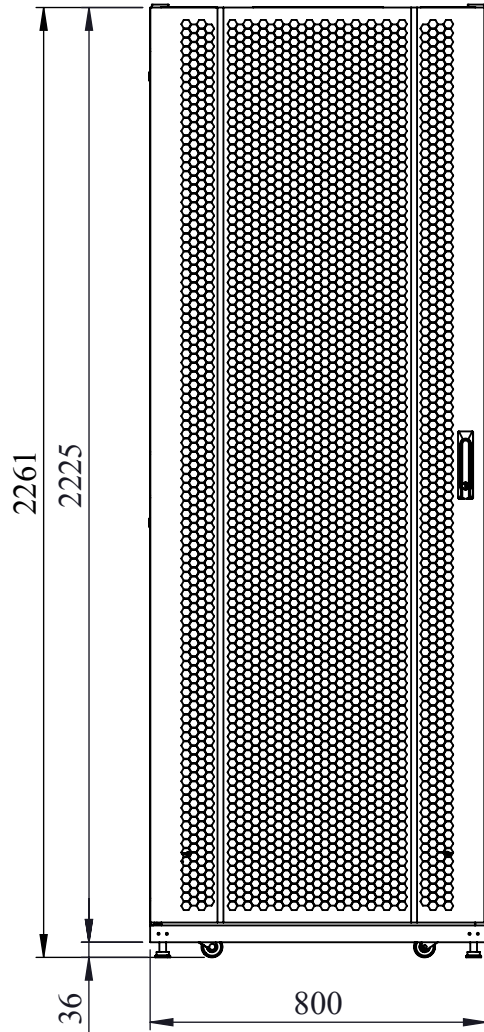
File name: -

Drawing No:

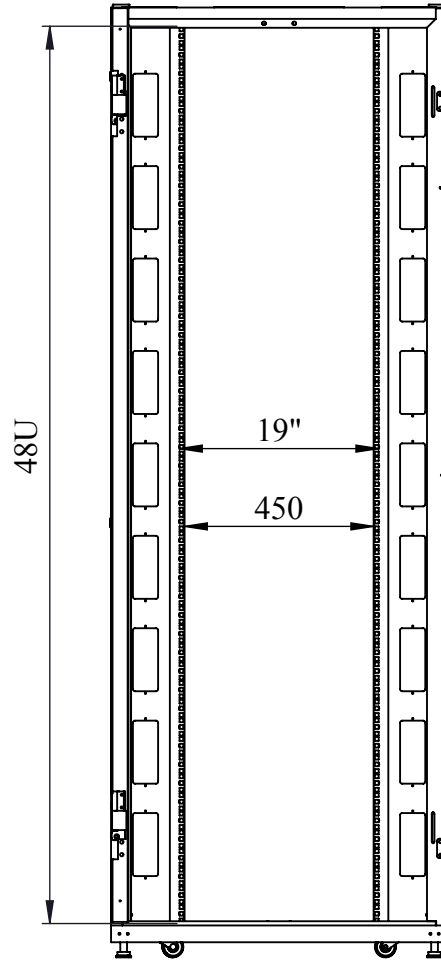
2



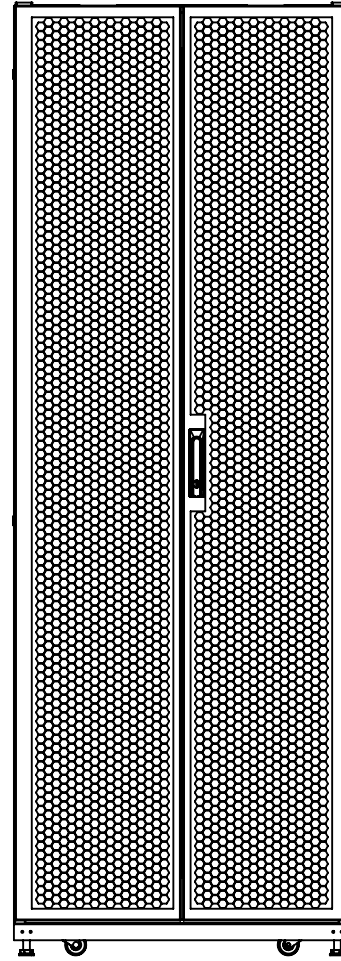
**FRONT VIEW**



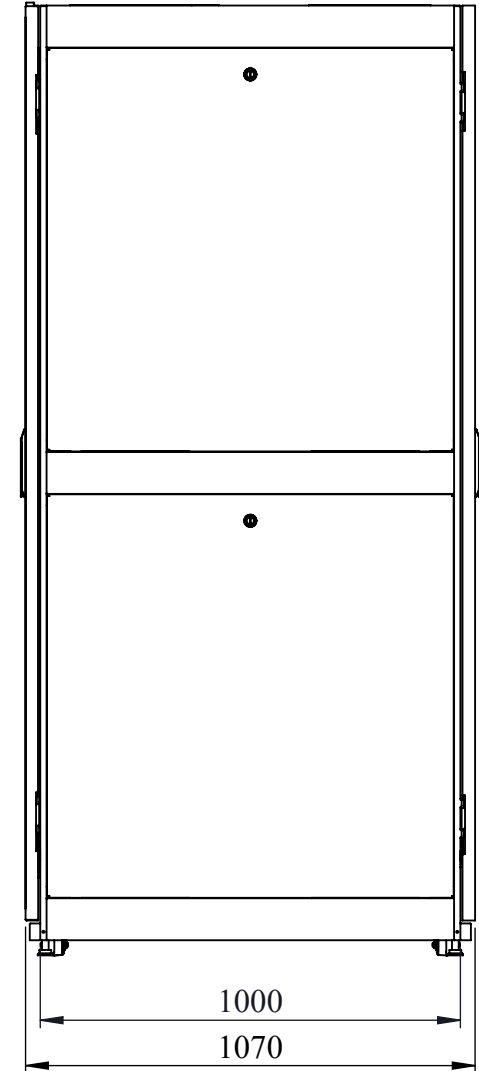
**FRONT VIEW  
(REMOVED DOOR)**



**REAR VIEW**



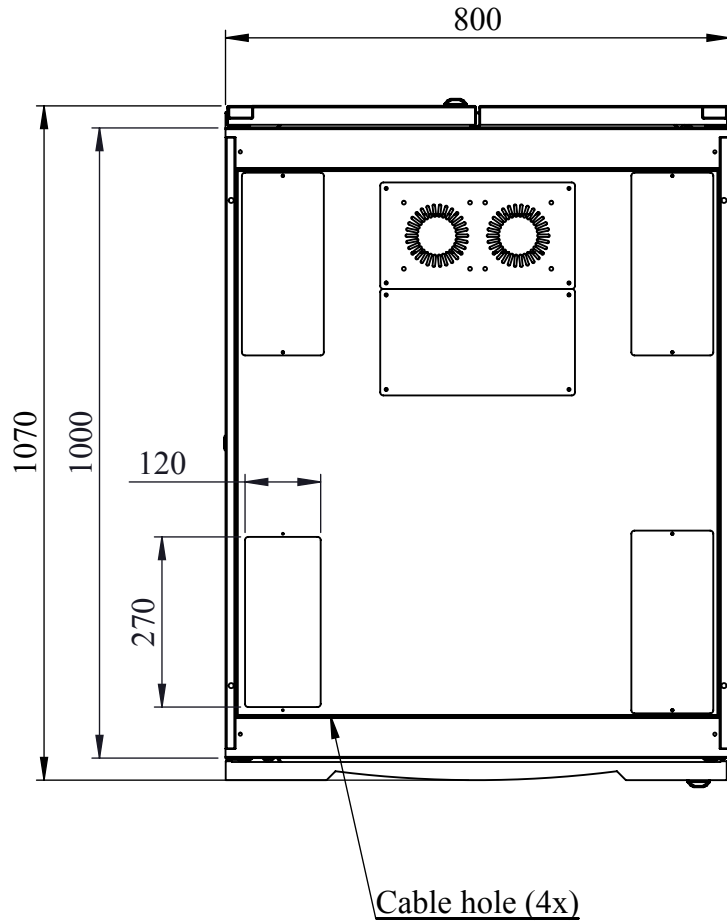
**SIDE VIEW**



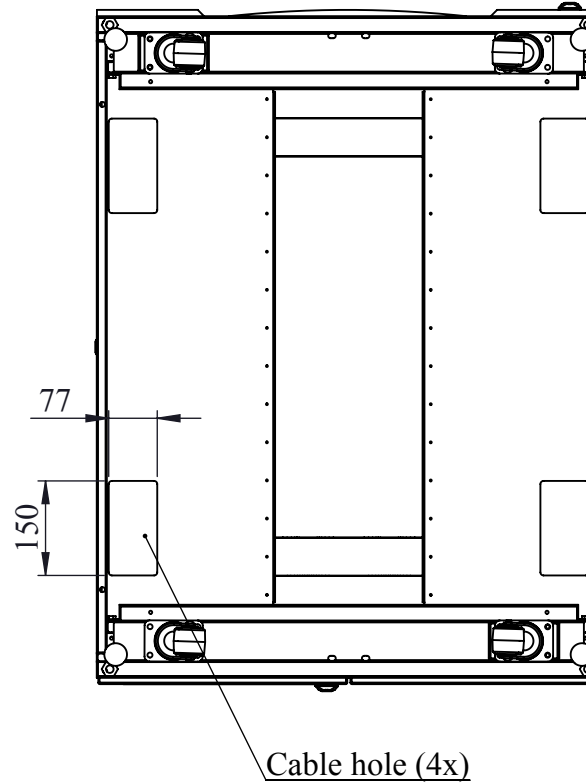
ANH MINH TECHNOLOGY COMPANY LIMITED-AMTEC CO.,LTD  
17/3, Binh Quoi A, Binh Chuan, Thuan An, Binh Duong, Viet Nam  
Tel: (84-650) 3612177 Fax: (84-650) 3612178  
Email: info@amtec.com.vn Web: www.amtec.com.vn

<b>Customer:</b>	-	<b>Drawing title:</b>	AMTEC SMART-NET CABINET 48U 800x1000		<b>Part No:</b>	AMS48-8100								
<b>Design by:</b>	HUỖNH HỮU ẮN	<b>Date:</b>		<b>Checked by:</b>	LÊ HOẶNG TUẦN	<b>Date:</b>			<b>Material:</b>	SPCC t=1.0 to 2.0	<b>Scale:</b>	1:18	<b>Sheet No:</b>	7
<b>Drawn by:</b>	HUỖNH HỮU ẮN	<b>Date:</b>		<b>Approved by:</b>	PHAN QUANG ĐỨC	<b>Date:</b>			<b>Qty/Job:</b>	-	<b>Unit:</b>	mm		
<b>File name:</b>	-			<b>Drawing No:</b>	3									

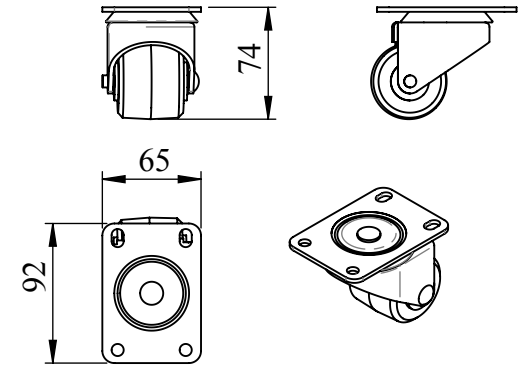
### TOP VIEW



### BOTTOM VIEW

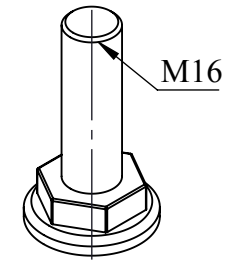


### Caster



Max load 1200kg

### Level feet



Max load 1500kg



ANH MINH TECHNOLOGY COMPANY LIMITED-AMTEC CO.,LTD  
 17/3, Binh Quoi A, Binh Chuan, Thuan An, Binh Duong, Viet Nam  
 Tel: (84-650) 3612177 Fax: (84-650) 3612178  
 Email: info@amtec.com.vn Web: www.amtec.com.vn

**Customer:** -

**Design by:** HUỖNH HỮU AN **Date:** -

**Drawn by:** HUỖNH HỮU AN **Date:** -

**File name:** -

**Drawing title:** AMTEC SMART-NET CABINET 48U 800x1000

**Checked by:** LÊ HOÀNG TUẤN **Date:** -

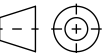
**Approved by:** PHAN QUANG ĐỨC **Date:** -

**Part No:** AMS48-8100

**Material:** SPCC t=1.0 to 2.0 **Scale:** 1:12

**Qty/Job:** - **Unit:** mm

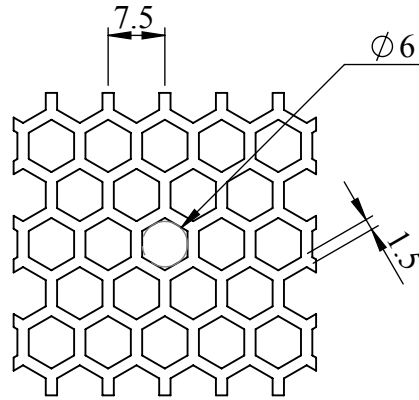
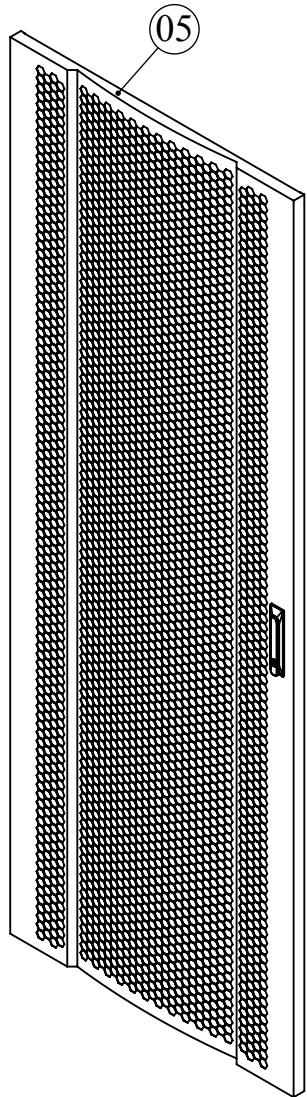
**Drawing No:** 4



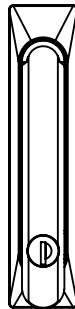
**Sheet No:** 7

**DETAIL ITEM:**

**FRONT DOOR**

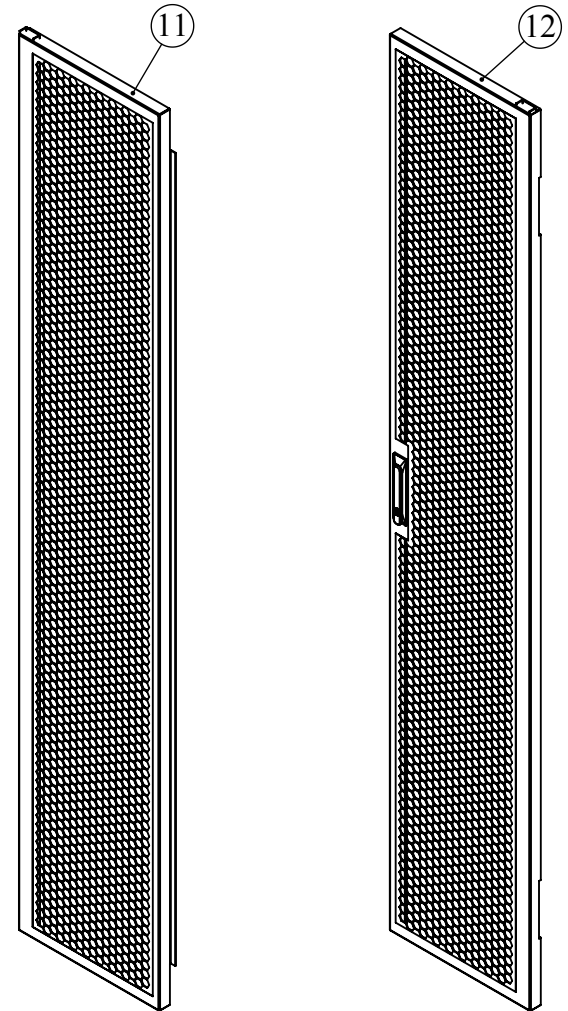


**DETAIL A: HEXAGON  
>64% PERFORATED DOOR**



**SWINGHANDLE KEY**

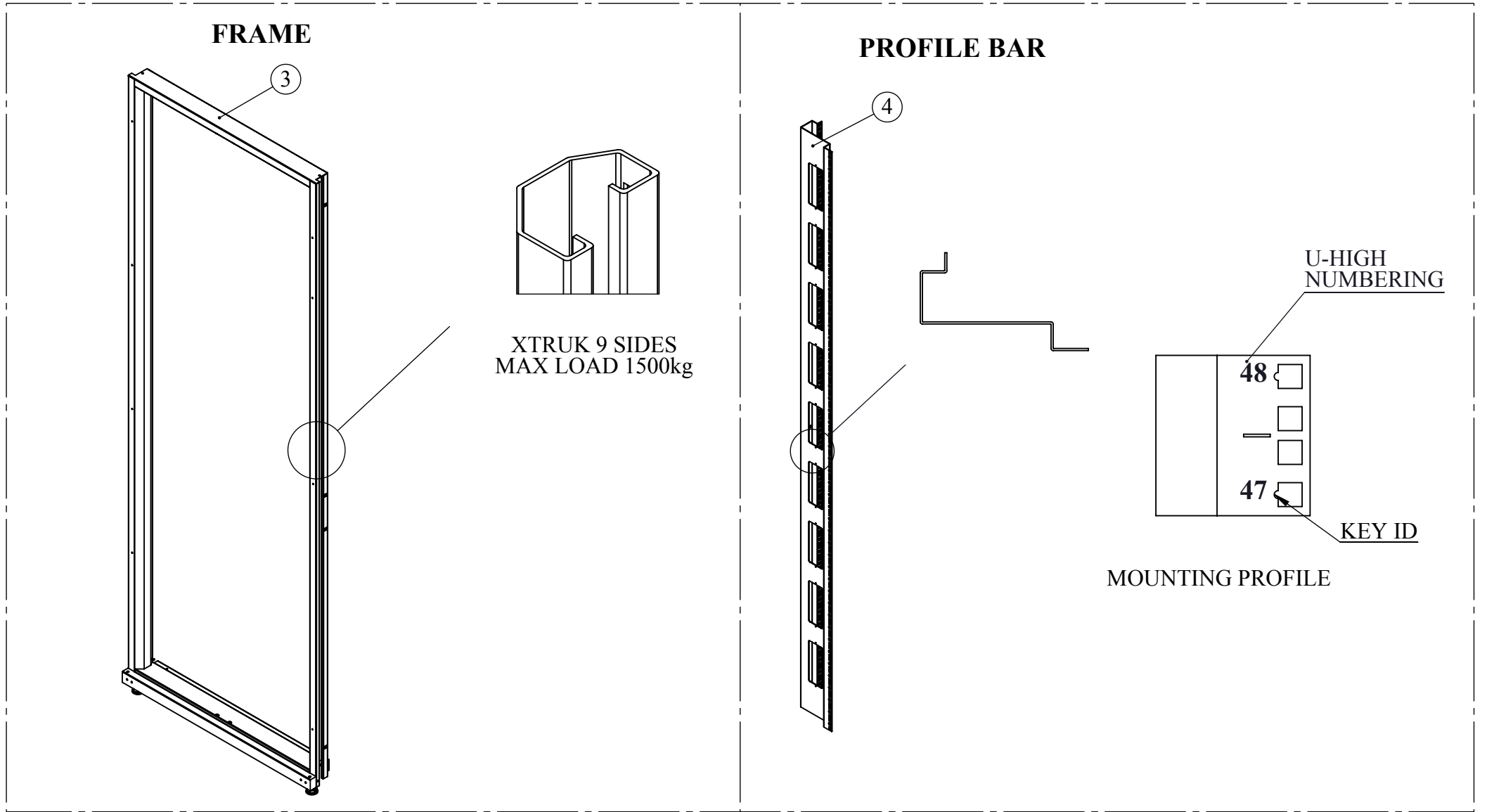
**REAR DOOR**



ANH MINH TECHNOLOGY COMPANY LIMITED-AMTEC CO.,LTD  
17/3, Binh Quoi A, Binh Chuan, Thuan An, Binh Duong, Viet Nam  
Tel: (84-650) 3612177 Fax: (84-650) 3612178  
Email: info@amtec.com.vn Web: www.amtec.com.vn

<b>Customer:</b>	-	<b>Drawing title:</b>	AMTEC SMART-NET CABINET 48U 800x1000	<b>Part No:</b>	AMS48-8100				
<b>Design by:</b>	HUỖNH HỮU AN	<b>Date:</b>		<b>Material:</b>	SPCC t=1.0 to 2.0		<b>Scale:</b>	1:15	<b>Sheet No:</b>
<b>Drawn by:</b>	HUỖNH HỮU AN	<b>Date:</b>		<b>Checked by:</b>	LÊ HOÀNG TUẤN		<b>Qty/Job:</b>	-	
<b>File name:</b>	-	<b>Date:</b>		<b>Approved by:</b>	PHAN QUANG ĐỨC		<b>Unit:</b>	mm	
				<b>Drawing No:</b>	5				

## DETAIL ITEM:

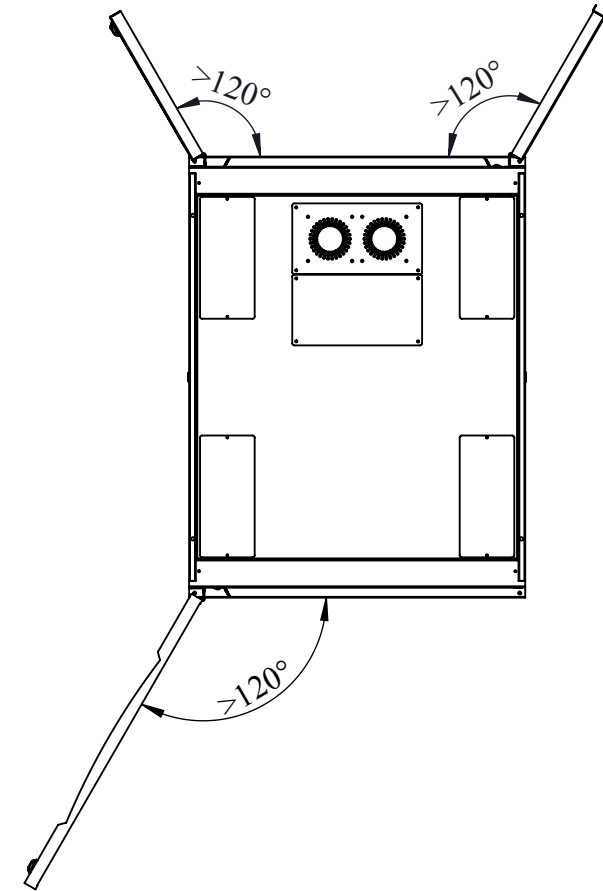
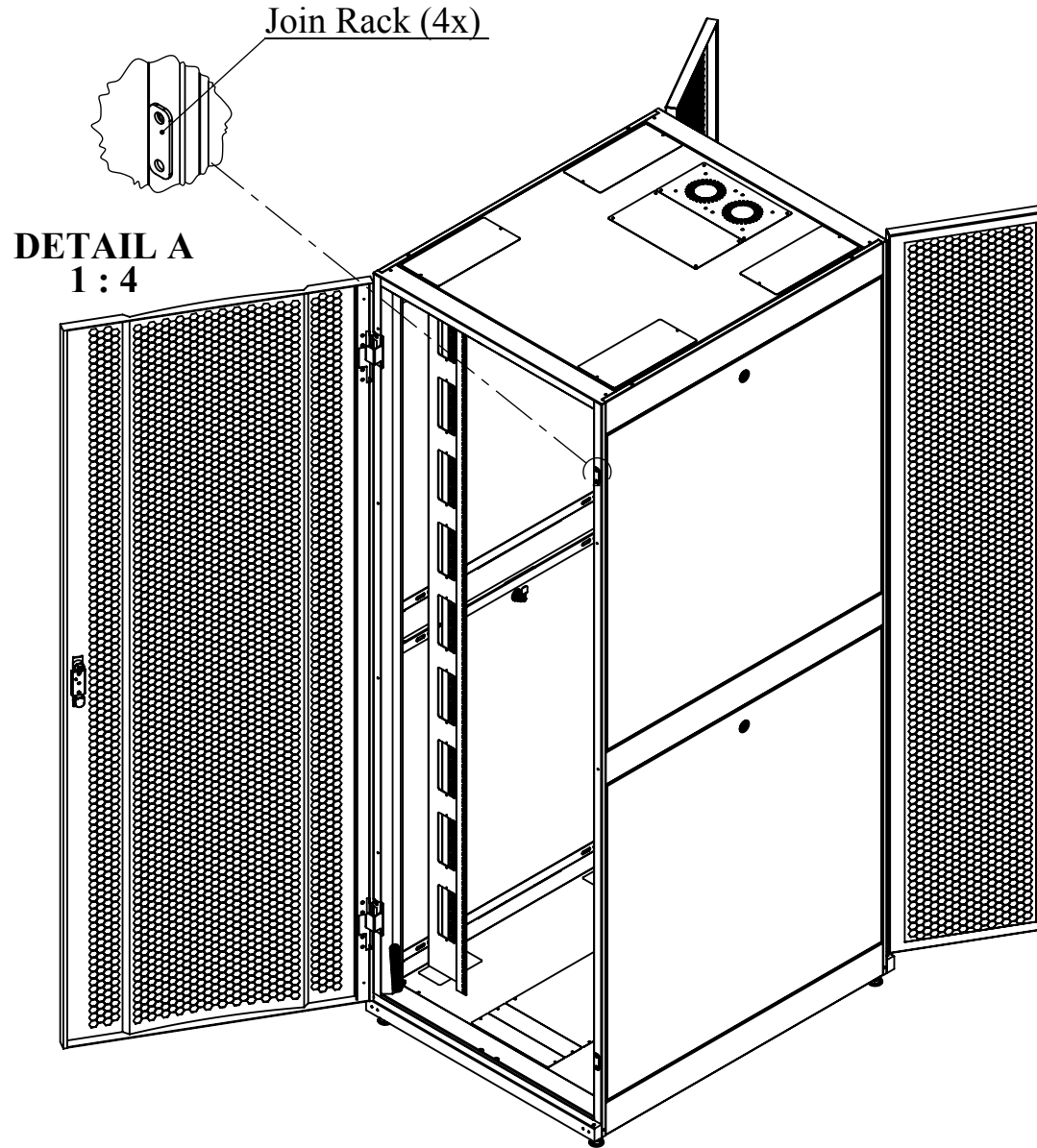


ANH MINH TECHNOLOGY COMPANY LIMITED-AMTEC CO.,LTD  
 17/3, Binh Quoi A, Binh Chuan, Thuan An, Binh Duong, Viet Nam  
 Tel: (84-650) 3612177 Fax: (84-650) 3612178  
 Email: info@amtec.com.vn Web: www.amtec.com.vn

<b>Customer:</b>	-	<b>Drawing title:</b>	AMTEC SMART-NET CABINET 48U 800x1000	<b>Part No:</b>	AMS48-8100		
<b>Design by:</b> HUỖNH HỮU AN	<b>Date:</b>	<b>Checked by:</b> LÊ HOÀNG TUẤN	<b>Date:</b>	<b>Material:</b> SPCC t=1.0 to 2.0	<b>Scale:</b> 1:16		<b>Sheet No:</b>
<b>Drawn by:</b> HUỖNH HỮU AN	<b>Date:</b>	<b>Approved by:</b> PHAN QUANG ĐỨC	<b>Date:</b>	<b>Qty/Job:</b> -	<b>Unit:</b> mm		7
<b>File name:</b>	-			<b>Drawing No:</b>	6		

# ISOMETRIC VIEW

# TOP VIEW



ANH MINH TECHNOLOGY COMPANY LIMITED-AMTEC CO.,LTD  
 17/3, Binh Quoi A, Binh Chuan, Thuan An, Binh Duong, Viet Nam  
 Tel: (84-650) 3612177 Fax: (84-650) 3612178  
 Email: info@amtec.com.vn Web: www.amtec.com.vn

<b>Customer:</b>	-	<b>Drawing title:</b>	AMTEC SMART-NET CABINET 48U 800x1000		<b>Part No:</b>	AMS48-8100		
<b>Design by:</b>	HUỖNH HỮU AN	<b>Date:</b>		<b>Checked by:</b>	LÊ HOÀNG TUẤN	<b>Date:</b>		
<b>Drawn by:</b>	HUỖNH HỮU AN	<b>Date:</b>		<b>Approved by:</b>	PHAN QUANG ĐỨC	<b>Date:</b>		
<b>Material:</b>	SPCC t=1.0 to 2.0		<b>Scale:</b>	1:18		<b>Unit:</b>		mm
<b>File name:</b>	-		<b>Qty/Job:</b>	-		<b>Sheet No:</b>	7	
			<b>Drawing No:</b>	7				