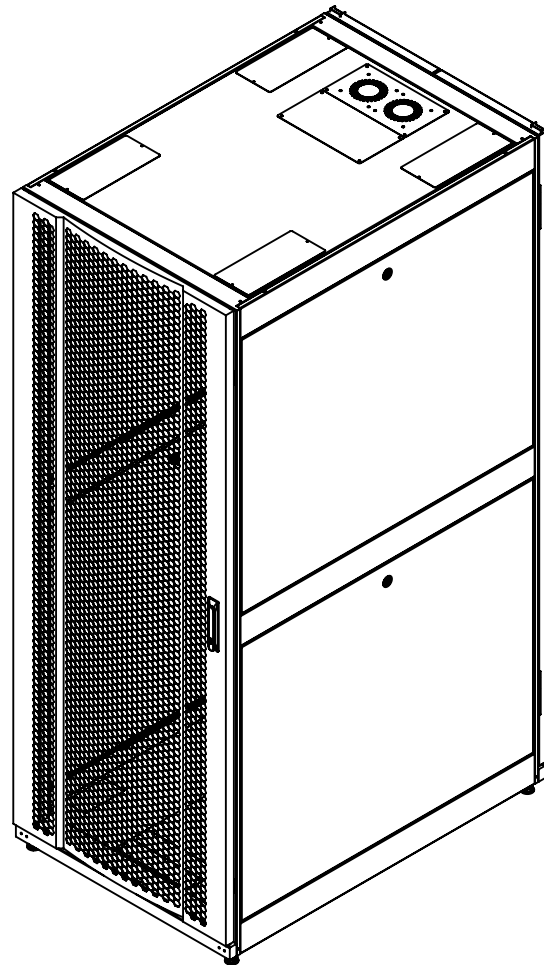
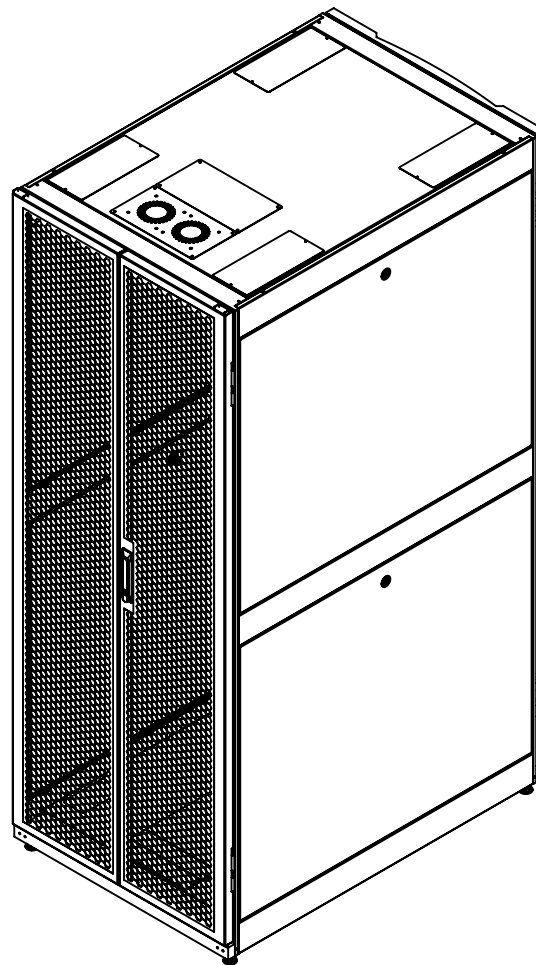


FRONT&RIGHT VIEW



REAR&LEFT VIEW



Specifications

1	Standard	- ISO 9001:2015 - ISO 14001:2015 - CE, EN/IEC 62368-1, RoHS - ANSI/EIA 310-D, phần A - DIN 41494 - BS5954 phần 2 - IEC 60297-1, IEC 60297-2 - IP20
2	Material	- Posso/JSVC Steel - SPCC/SD
3	Load capacity	. On 4 Casters 1200 kg. . On 4 Leveling feet 1500kg.
4	Color	Black
5	Air flow	Hexagon Perforated door >64%

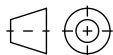


ANH MINH TECHNOLOGY COMPANY LIMITED-AMTEC CO.,LTD
17/3, Binh Quoi A, Binh Chuan, Thuan An, Binh Duong, Viet Nam
Tel: (84-650) 3612177 Fax: (84-650) 3612178
Email: info@amtec.com.vn Web: www.amtec.com.vn

Customer:	-
Design by:	HUỖNH HỮU AN
Drawn by:	HUỖNH HỮU AN
File name:	-

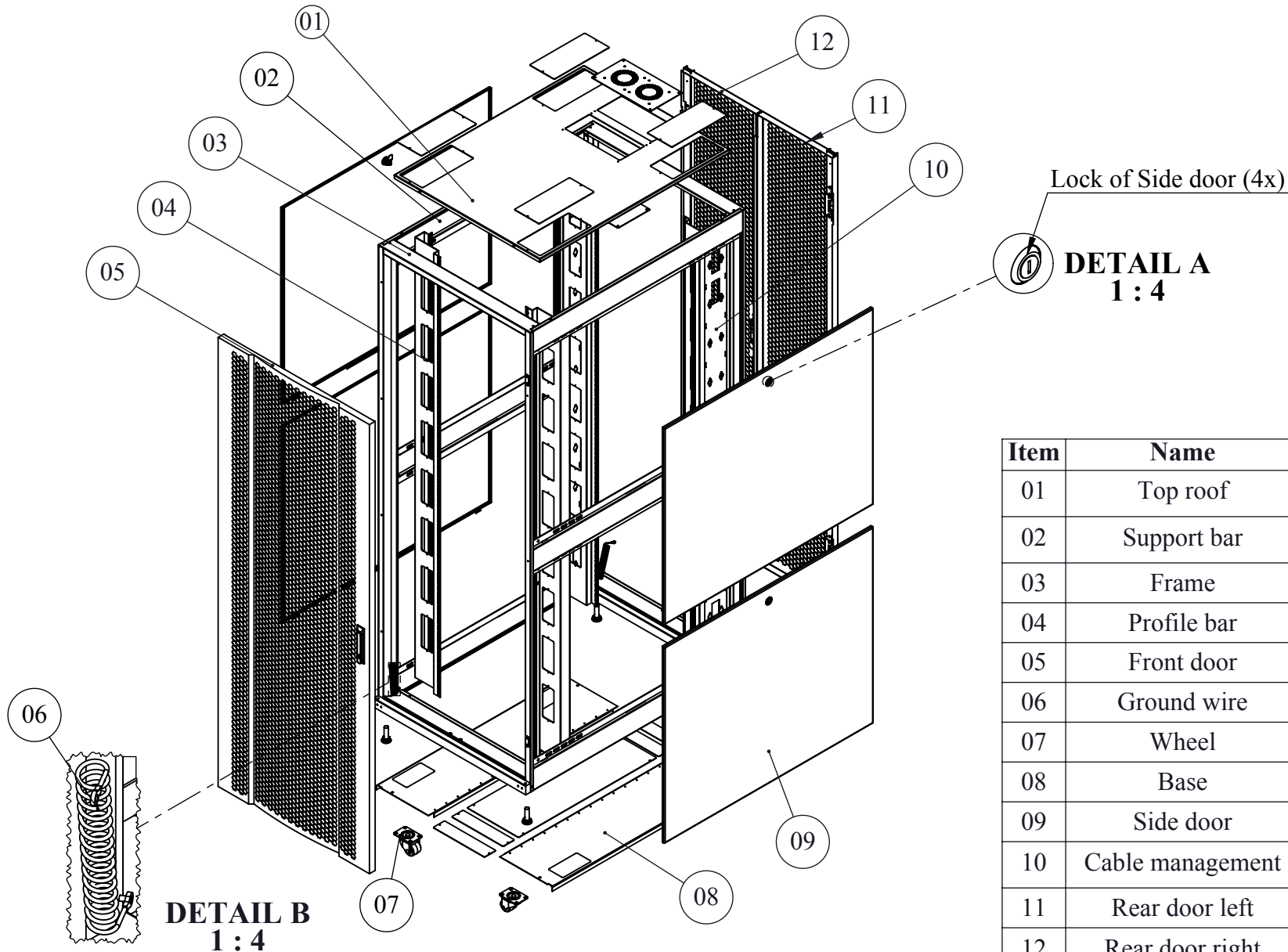
Drawing title:	AMTEC SMART-NET CABINET 45U 800x1200
Checked by:	LÊ HOÀNG TUẤN
Approved by:	PHAN QUANG ĐỨC

Part No:	AMS45-8120
Material:	SPCC t=1.0 to 2.0
Qty/Job:	-
Drawing No:	1



Sheet No:
7

EXPLODE VIEW



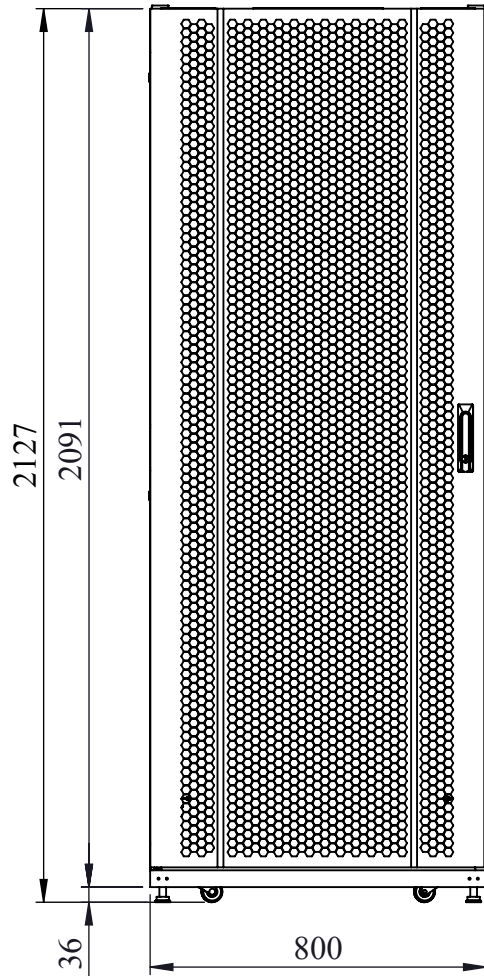
Item	Name	Q'Ty	Thick	Description
01	Top roof	1	1.2	
02	Support bar	6	1.5	
03	Frame	2	2.0	
04	Profile bar	4	2.0	
05	Front door	1	1.2	>64% Perforated
06	Ground wire	3		
07	Wheel	4		Phi 50 x74H
08	Base	2	1.5	
09	Side door	4	1.0	
10	Cable management	2	1.0	Up to 4 PDU
11	Rear door left	1	1.2	>64% Perforated
12	Rear door right	1	1.2	>64% Perforated



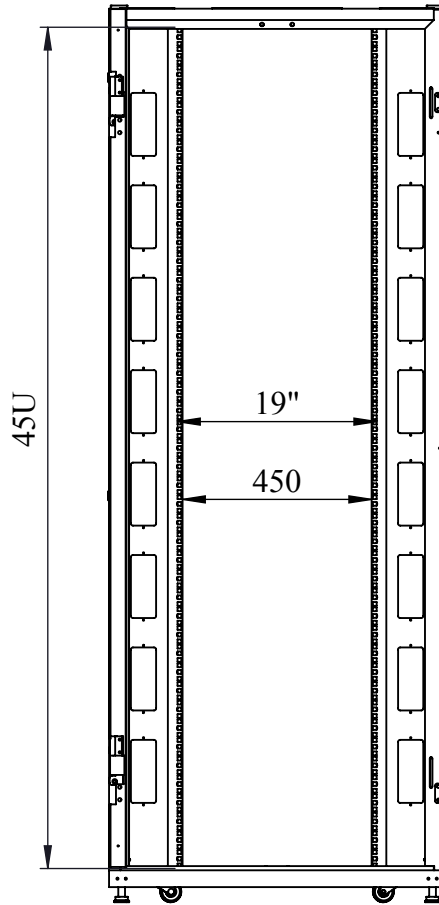
ANH MINH TECHNOLOGY COMPANY LIMITED-AMTEC CO.,LTD
 17/3, Binh Quoi A, Binh Chuan, Thuan An, Binh Duong, Viet Nam
 Tel: (84-650) 3612177 Fax: (84-650) 3612178
 Email: info@amtec.com.vn Web: www.amtec.com.vn

Customer:	-	Drawing title:	AMTEC SMART-NET CABINET 45U 800x1200	Part No:	AMS45-8120		
Design by: HUYNH HUU AN	Date:	Checked by: LE HOANG TUAN	Date:	Material: SPCC t=1.0 to 2.0	Scale: 1:22		Sheet No:
Drawn by: HUYNH HUU AN	Date:	Approved by: PHAN QUANG DUC	Date:	Qty/Job: -	Unit: mm		7
File name:	-	Drawing No:	2				

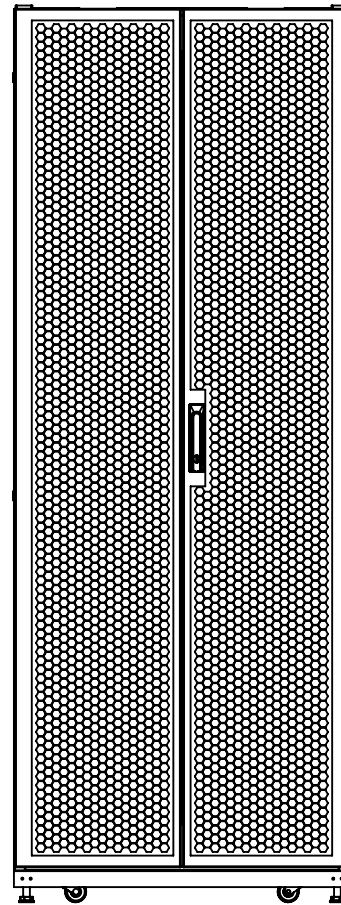
FRONT VIEW



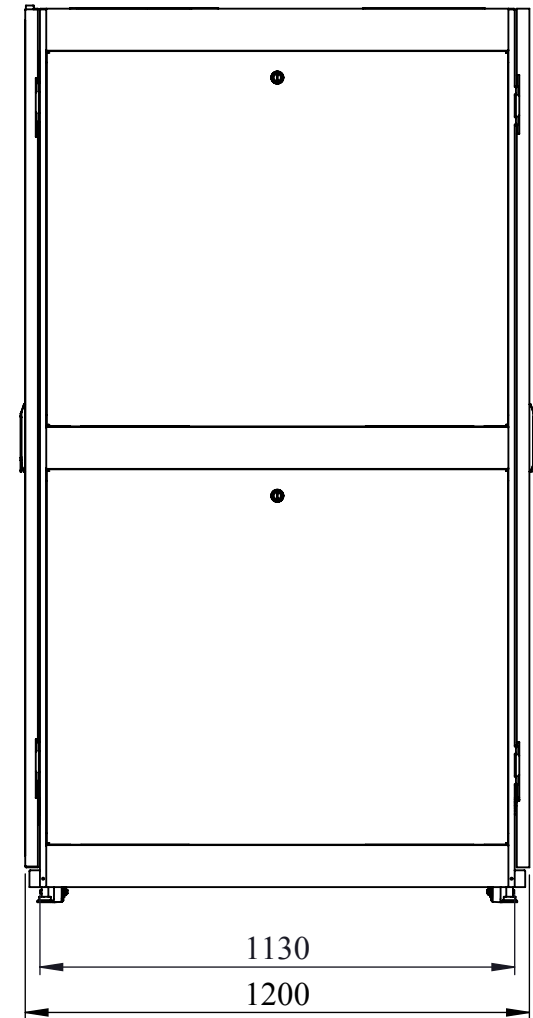
**FRONT VIEW
(REMOVED DOOR)**



REAR VIEW



SIDE VIEW

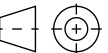


ANH MINH TECHNOLOGY COMPANY LIMITED-AMTEC CO.,LTD
 17/3, Binh Quoi A, Binh Chuan, Thuan An, Binh Duong, Viet Nam
 Tel: (84-650) 3612177 Fax: (84-650) 3612178
 Email: info@amtec.com.vn Web: www.amtec.com.vn

Customer: -
Design by: HUYNH HUU AN **Date:** -
Drawn by: HUYNH HUU AN **Date:** -
File name: -

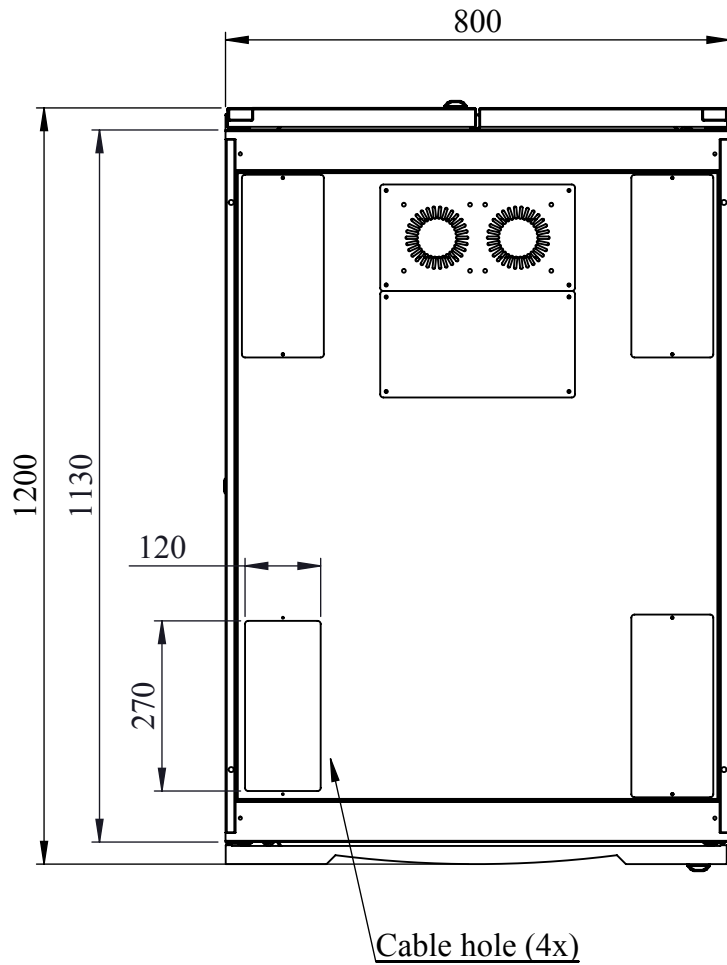
Drawing title: AMTEC SMART-NET CABINET 45U 800x1200
Checked by: LE HOANG TUAN **Date:** -
Approved by: PHAN QUANG DUC **Date:** -

Part No: AMS45-8120
Material: SPCC t=1.0 to 2.0 **Scale:** 1:18
Qty/Job: - **Unit:** mm
Drawing No: 3

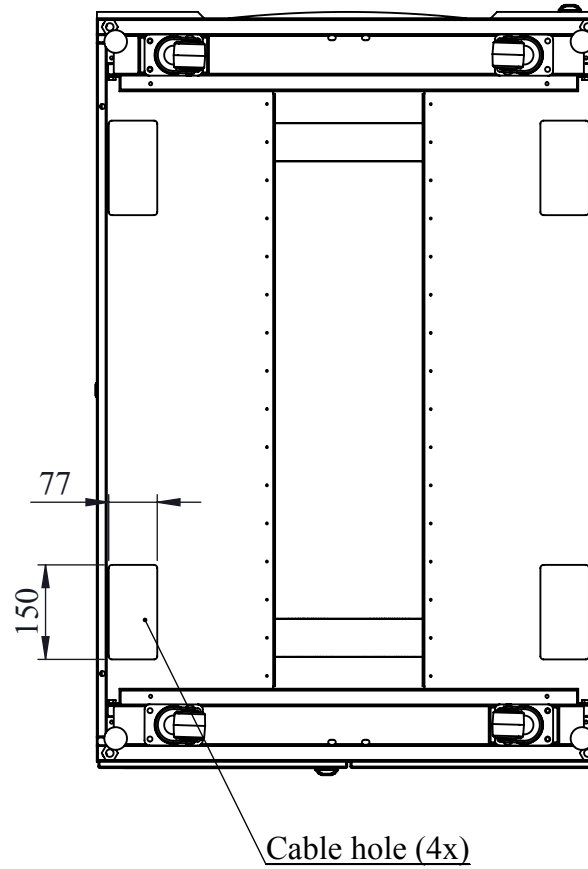


Sheet No: 7

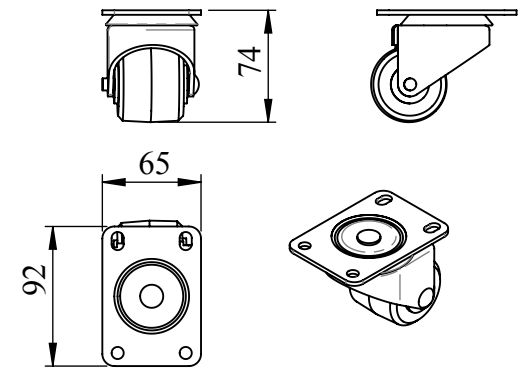
TOP VIEW



BOTTOM VIEW

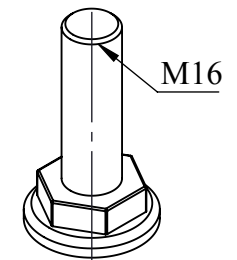


Caster



Max load 1200kg

Level feet



Max load 1500kg

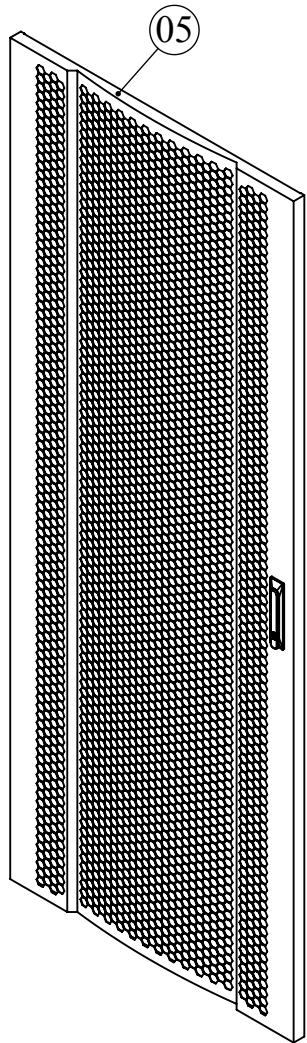


ANH MINH TECHNOLOGY COMPANY LIMITED-AMTEC CO.,LTD
 17/3, Binh Quoi A, Binh Chuan, Thuan An, Binh Duong, Viet Nam
 Tel: (84-650) 3612177 Fax: (84-650) 3612178
 Email: info@amtec.com.vn Web: www.amtec.com.vn

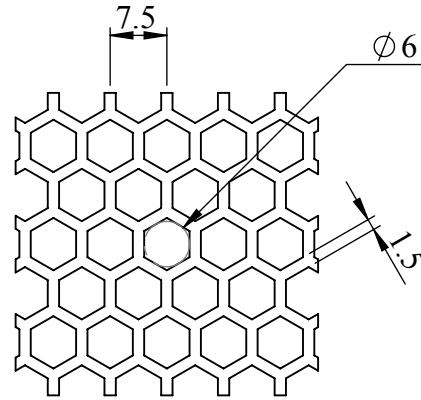
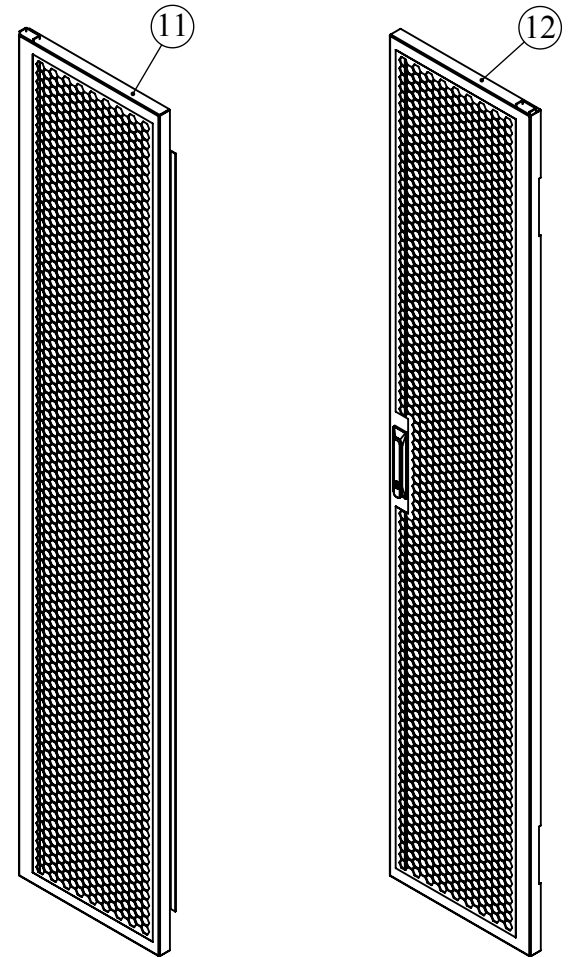
Customer:	-	Drawing title:	AMTEC SMART-NET CABINET 45U 800x1200	Part No:	AMS45-8120		
Design by: HUỖNH HỮU AN	Date:	Checked by: LÊ HOÀNG TUẤN	Date:	Material: SPCC t=1.0 to 2.0	Scale: 1:12		Sheet No:
Drawn by: HUỖNH HỮU AN	Date:	Approved by: PHAN QUANG ĐỨC	Date:	Qty/Job: -	Unit: mm		7
File name:	-			Drawing No:	4		

DETAIL ITEM:

FRONT DOOR



REAR DOOR



**DETAIL A: HEXAGON
>64% PERFORATED DOOR**



SWINGHANDLE KEY

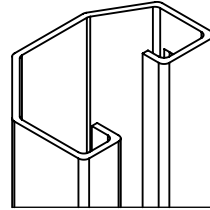
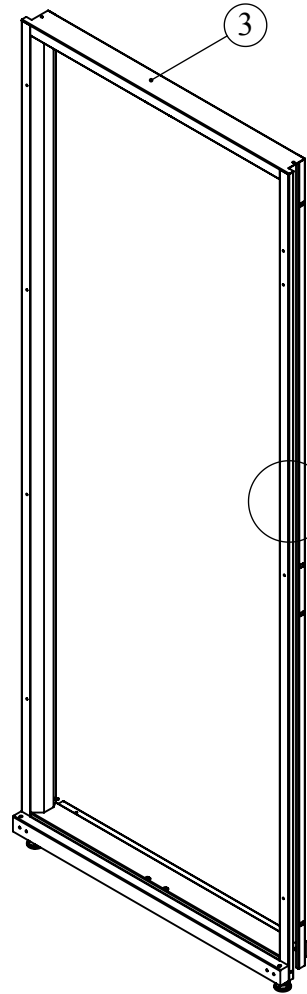


ANH MINH TECHNOLOGY COMPANY LIMITED-AMTEC CO.,LTD
 17/3, Binh Quoi A, Binh Chuan, Thuan An, Binh Duong, Viet Nam
 Tel: (84-650) 3612177 Fax: (84-650) 3612178
 Email: info@amtec.com.vn Web: www.amtec.com.vn

Customer:	-	Drawing title:	AMTEC SMART-NET CABINET 45U 800x1200	Part No:	AMS45-8120	
Design by: HUỖNH HỮU AN	Date:	Checked by: LÊ HOÀNG TUẤN	Date:	Material: SPCC t=1.0 to 2.0	Scale: 1:15	
Drawn by: HUỖNH HỮU AN	Date:	Approved by: PHAN QUANG ĐỨC	Date:	Qty/Job: -	Unit: mm	7
File name:	-	Drawing No:	5			

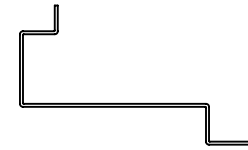
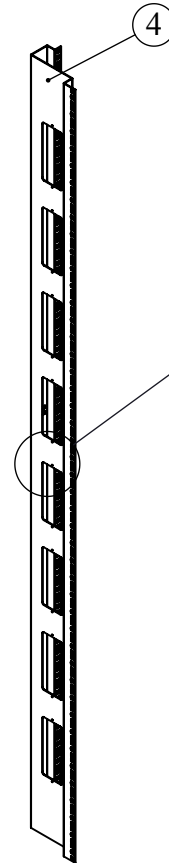
DETAIL ITEM:

FRAME

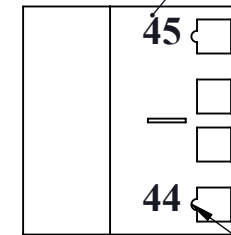


XTRUK 9 SIDES
MAX LOAD 1500kg

PROFILE BAR



U-HIGH
NUMBERING



KEY ID

MOUNTING PROFILE

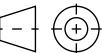


ANH MINH TECHNOLOGY COMPANY LIMITED-AMTEC CO.,LTD
17/3, Binh Quoi A, Binh Chuan, Thuan An, Binh Duong, Viet Nam
Tel: (84-650) 3612177 Fax: (84-650) 3612178
Email: info@amtec.com.vn Web: www.amtec.com.vn

Customer:	-
Design by: HUỖNH HỮU AN	Date:
Drawn by: HUỖNH HỮU AN	Date:
File name:	-

Drawing title:	AMTEC SMART-NET CABINET 45U 800x1200
Checked by: LÊ HOÀNG TUẤN	Date:
Approved by: PHAN QUANG ĐỨC	Date:

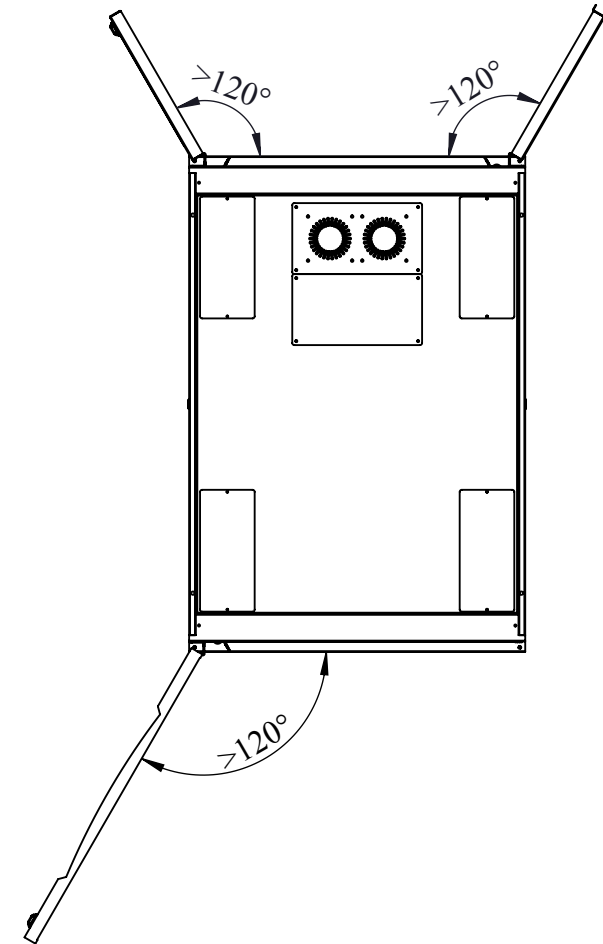
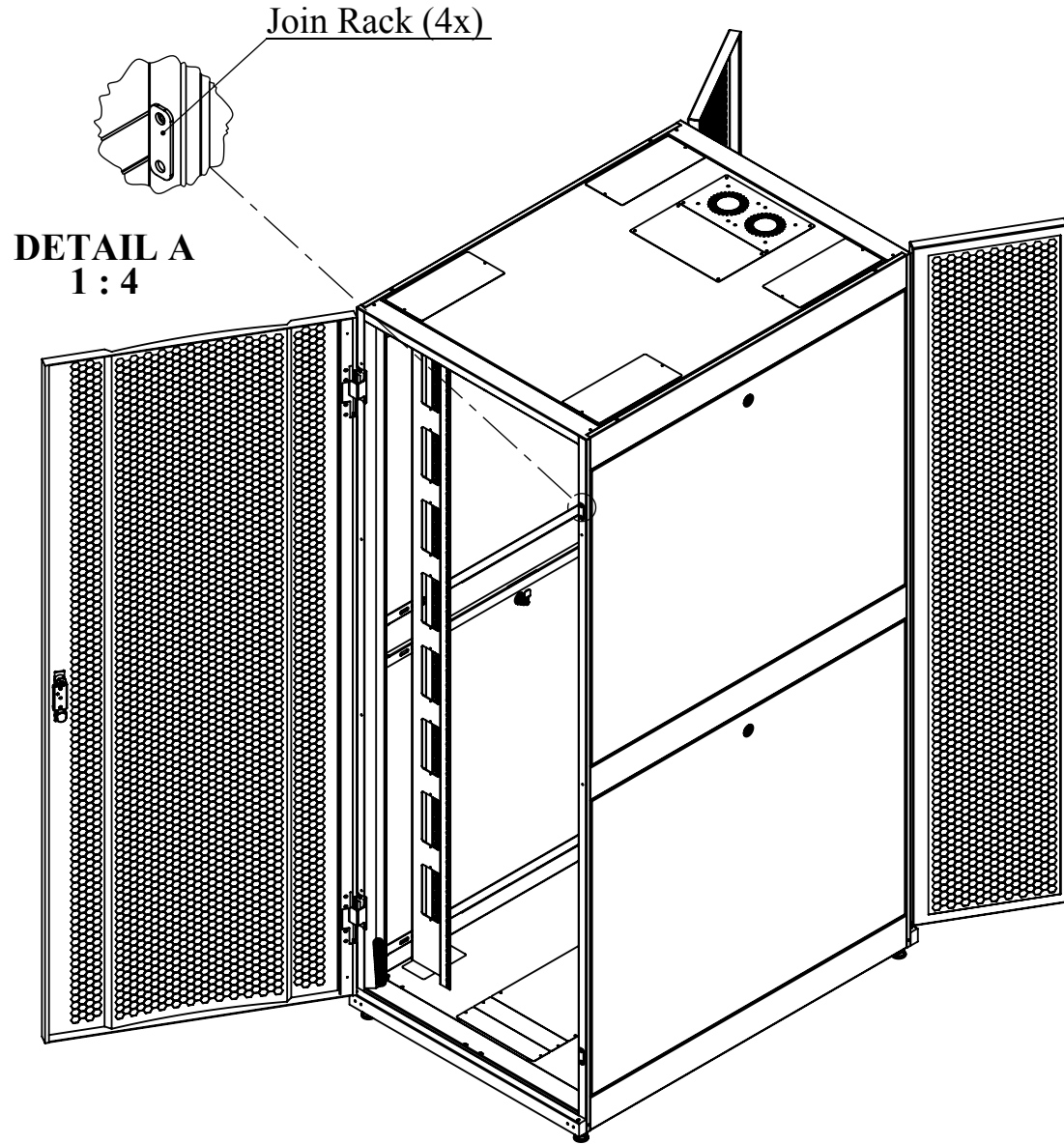
Part No:	AMS45-8120
Material: SPCC t=1.0 to 2.0	Scale: 1:16
Qty/Job: -	Unit: mm
Drawing No:	6



Sheet No:
7

ISOMETRIC VIEW

TOP VIEW



ANH MINH TECHNOLOGY COMPANY LIMITED-AMTEC CO.,LTD
 17/3, Binh Quoi A, Binh Chuan, Thuan An, Binh Duong, Viet Nam
 Tel: (84-650) 3612177 Fax: (84-650) 3612178
 Email: info@amtec.com.vn Web: www.amtec.com.vn

Customer:	-	Drawing title:	AMTEC SMART-NET CABINET 45U 800x1200		Part No:	AMS45-8120			
Design by:	HUỖNH HỮU AN	Date:		Checked by:	LÊ HOÀNG TUẤN	Date:			Sheet No:
Drawn by:	HUỖNH HỮU AN	Date:		Approved by:	PHAN QUANG ĐỨC	Date:			
File name:	-			Material:	SPCC t=1.0 to 2.0	Scale:	1:18		
				Qty/Job:	-	Unit:	mm		
				Drawing No:	7				