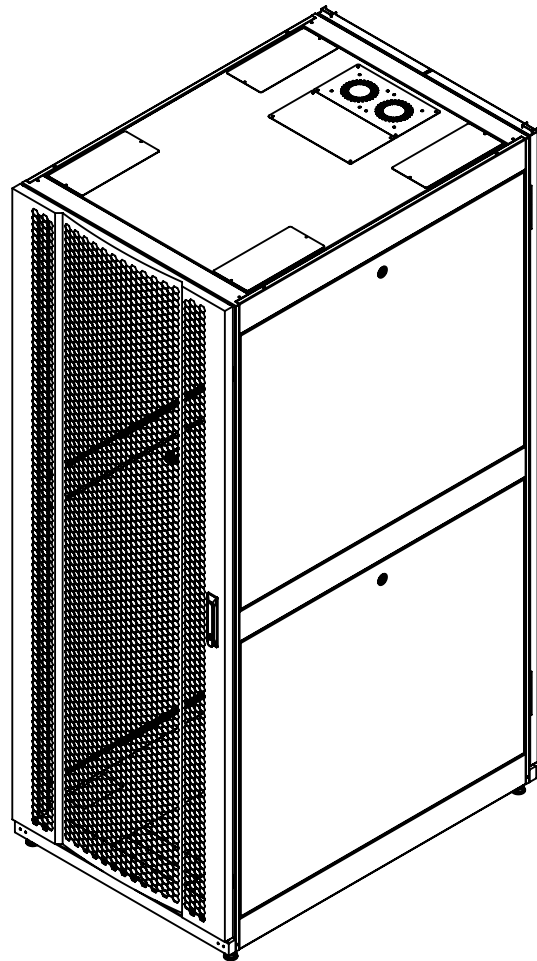
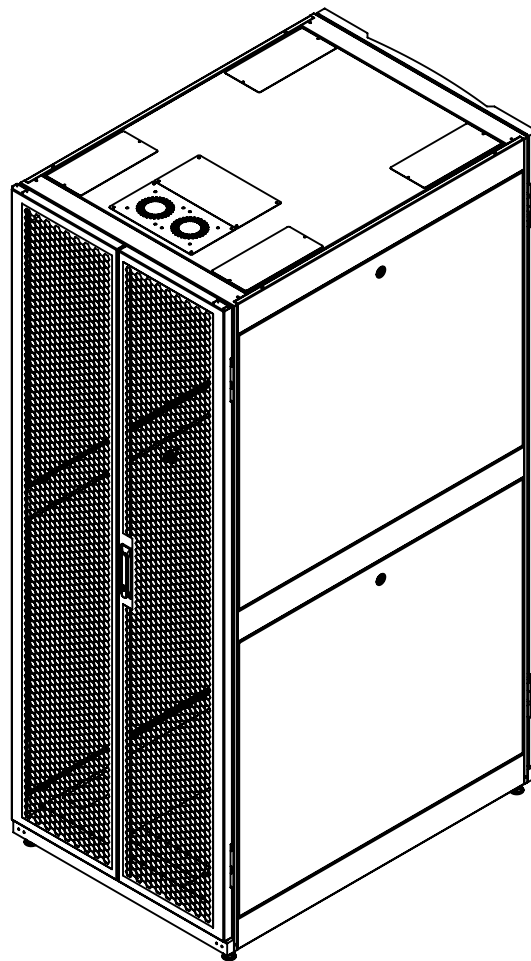


FRONT&RIGHT VIEW



REAR&LEFT VIEW



Specifications

1	Standard	- ISO 9001:2015 - ISO 14001:2015 - CE, EN/IEC 62368-1, RoHS - ANSI/EIA 310-D, phần A - DIN 41494 - BS5954 phần 2 - IEC 60297-1, IEC 60297-2 - IP20
2	Material	- Posso/JSVC Steel - SPCC/SD
3	Load capacity	. On 4 Casters 1200 kg. . On 4 Leveling feet 1500kg.
4	Color	Black
5	Air flow	Hexagon Perforated door >64%

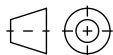


ANH MINH TECHNOLOGY COMPANY LIMITED-AMTEC CO.,LTD
17/3, Binh Quoi A, Binh Chuan, Thuan An, Binh Duong, Viet Nam
Tel: (84-650) 3612177 Fax: (84-650) 3612178
Email: info@amtec.com.vn Web: www.amtec.com.vn

Customer:	-
Design by:	HUỲNH HỮU AN
Drawn by:	HUỲNH HỮU AN
File name:	-

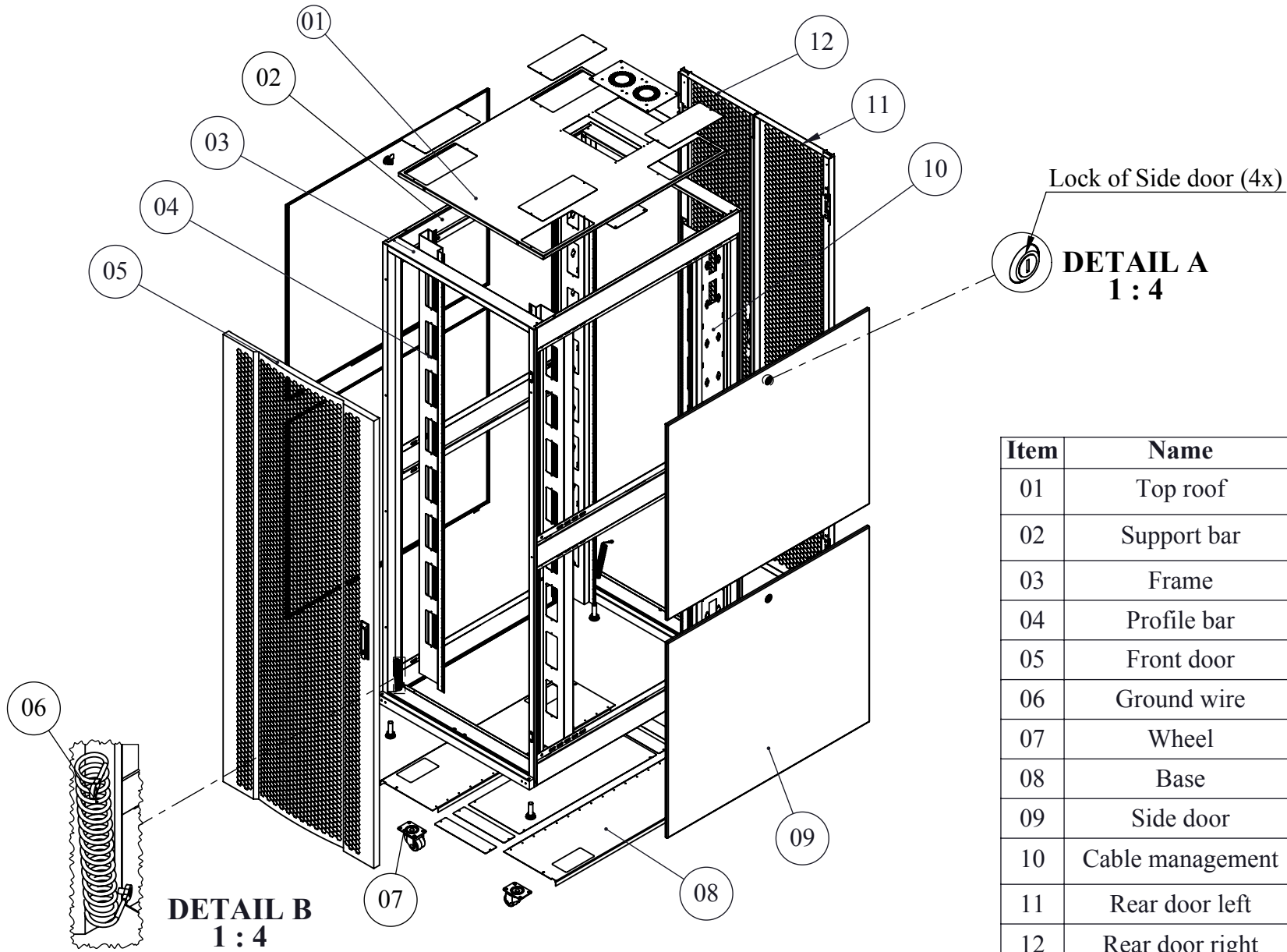
Drawing title:	AMTEC SMART-NET CABINET 45U 800x1100
Checked by:	LÊ HOÀNG TUẤN
Approved by:	PHAN QUANG ĐỨC

Part No:	AMS45-8110
Material:	SPCC t=1.0 to 2.0
Qty/Job:	-
Drawing No:	1



Sheet No:
7

EXPLODE VIEW



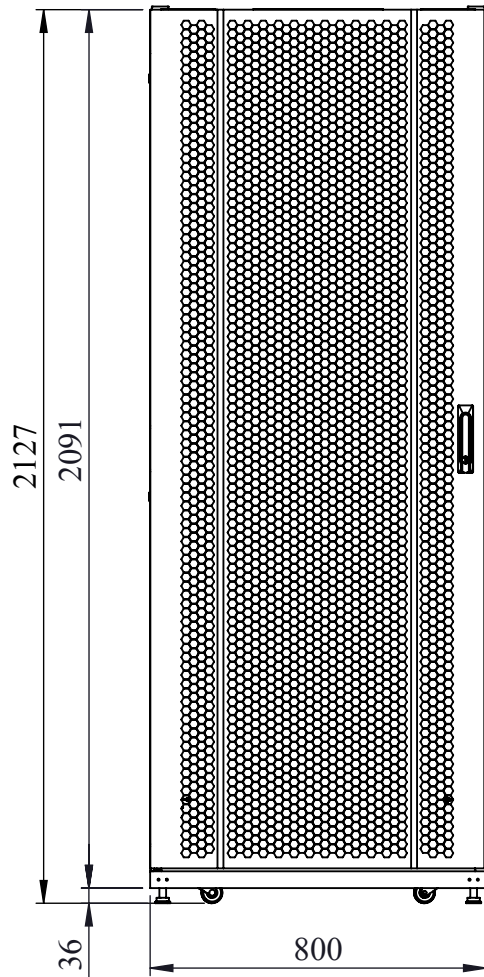
Item	Name	Q'Ty	Thick	Description
01	Top roof	1	1.2	
02	Support bar	6	1.5	
03	Frame	2	2.0	
04	Profile bar	4	2.0	
05	Front door	1	1.2	>64% Perforated
06	Ground wire	3		
07	Wheel	4		Phi 50 x74H
08	Base	2	1.5	
09	Side door	4	1.0	
10	Cable management	2	1.0	Up to 4 PDU
11	Rear door left	1	1.2	>64% Perforated
12	Rear door right	1	1.2	>64% Perforated



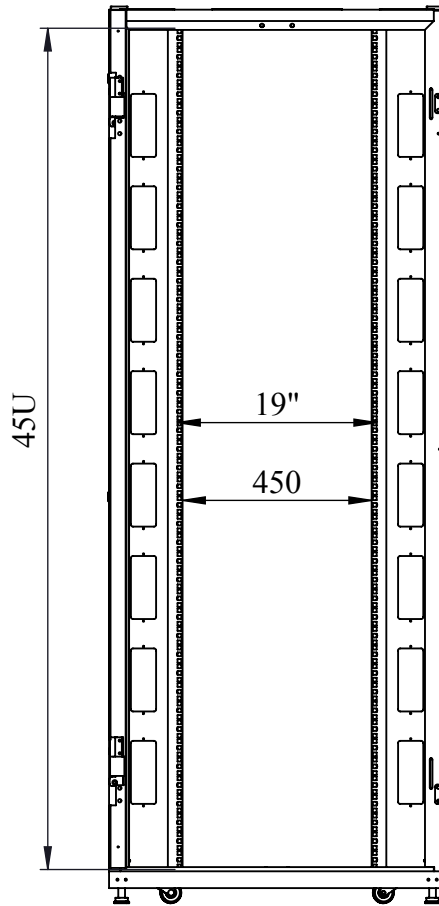
ANH MINH TECHNOLOGY COMPANY LIMITED-AMTEC CO.,LTD
 17/3, Binh Quoi A, Binh Chuan, Thuan An, Binh Duong, Viet Nam
 Tel: (84-650) 3612177 Fax: (84-650) 3612178
 Email: info@amtec.com.vn Web: www.amtec.com.vn

Customer:	-	Drawing title:	AMTEC SMART-NET CABINET 45U 800x1100		Part No:	AMS45-8110		
Design by:	HUỲNH HỮU AN	Date:		Checked by:	LÊ HOÀNG TUẤN	Date:		
Drawn by:	HUỲNH HỮU AN	Date:		Approved by:	PHAN QUANG ĐỨC	Date:		
File name:	-			Drawing No:	2			
				Material:	SPCC t=1.0 to 2.0	Scale:	1:22	Sheet No:
				Qty/Job:	-	Unit:	mm	7

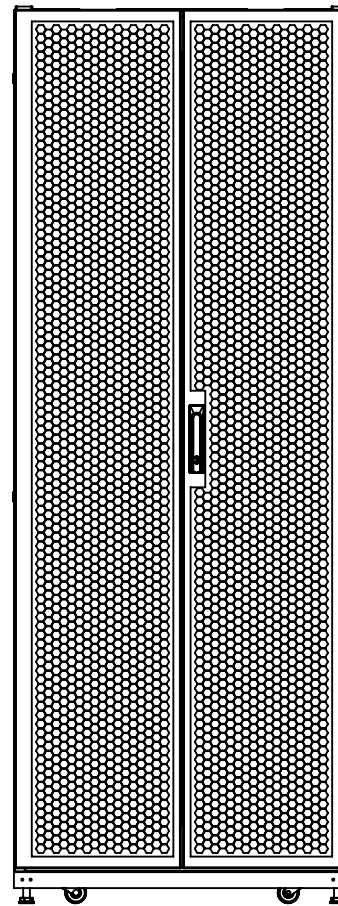
FRONT VIEW



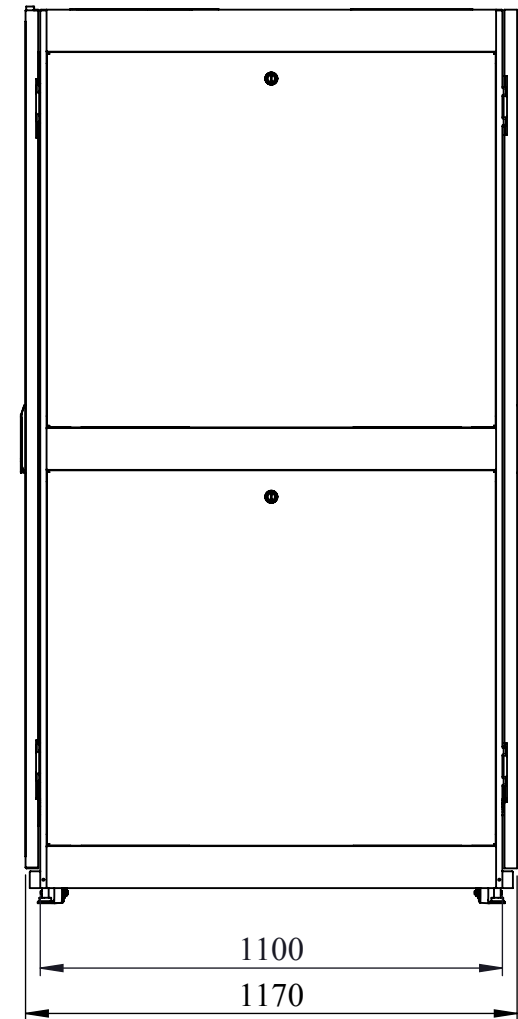
**FRONT VIEW
(REMOVED DOOR)**



REAR VIEW



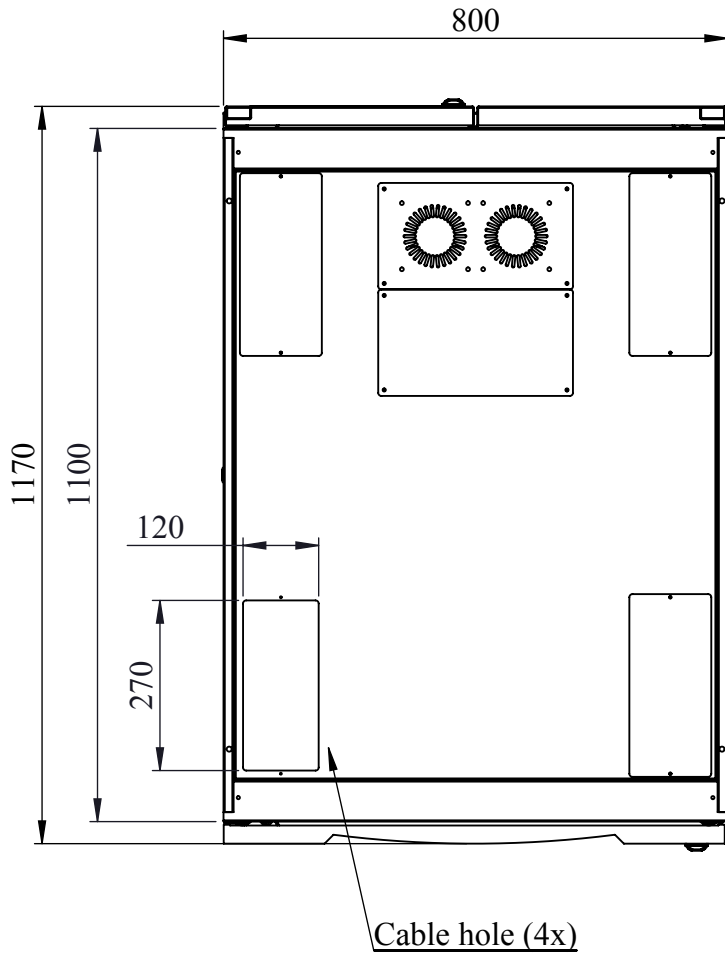
SIDE VIEW



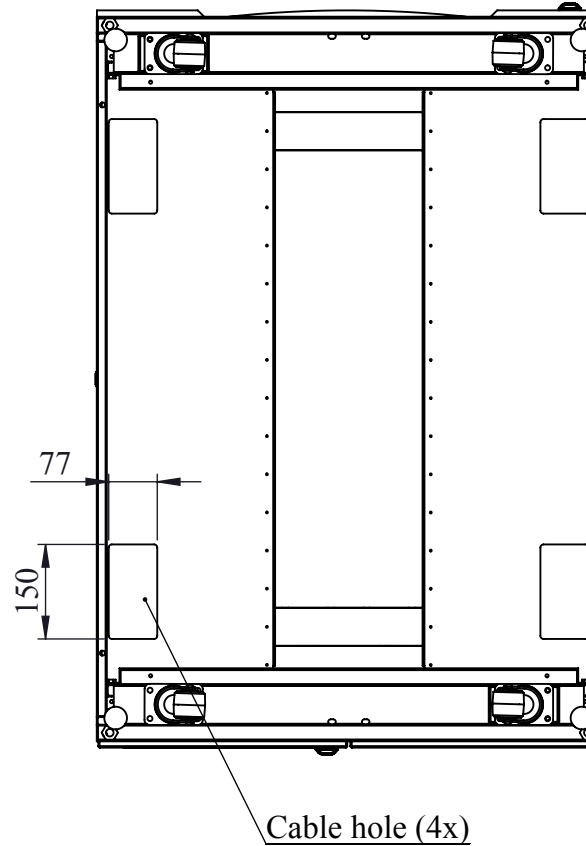
ANH MINH TECHNOLOGY COMPANY LIMITED-AMTEC CO.,LTD
 17/3, Binh Quoi A, Binh Chuan, Thuan An, Binh Duong, Viet Nam
 Tel: (84-650) 3612177 Fax: (84-650) 3612178
 Email: info@amtec.com.vn Web: www.amtec.com.vn

Customer:	-	Drawing title:	AMTEC SMART-NET CABINET 45U 800x1100		Part No:	AMS45-8110								
Design by:	HUỖNH HỮU ẮN	Date:		Checked by:	LÊ HOẮNG TUẮN	Date:			Material:	SPCC t=1.0 to 2.0	Scale:	1:18	Sheet No:	7
Drawn by:	HUỡNH HỮU ẮN	Date:		Approved by:	PHAN QUANG ĐỨC	Date:			Qty/Job:	-	Unit:	mm		
File name:	-			Drawing No:	3									

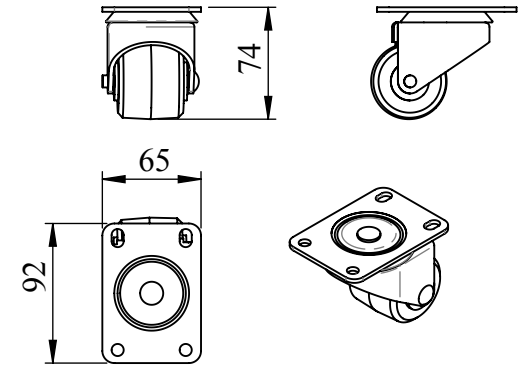
TOP VIEW



BOTTOM VIEW

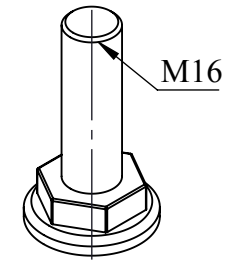


Caster



Max load 1200kg

Level feet



Max load 1500kg



ANH MINH TECHNOLOGY COMPANY LIMITED-AMTEC CO.,LTD
 17/3, Binh Quoi A, Binh Chuan, Thuan An, Binh Duong, Viet Nam
 Tel: (84-650) 3612177 Fax: (84-650) 3612178
 Email: info@amtec.com.vn Web: www.amtec.com.vn

Customer: -

Design by: HUỖNH HỮU AN **Date:** -

Drawn by: HUỖNH HỮU AN **Date:** -

File name: -

Drawing title: AMTEC SMART-NET CABINET 45U 800x1100

Checked by: LÊ HOÀNG TUẤN **Date:** -

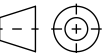
Approved by: PHAN QUANG ĐỨC **Date:** -

Part No: AMS45-8110

Material: SPCC t=1.0 to 2.0 **Scale:** 1:12

Qty/Job: - **Unit:** mm

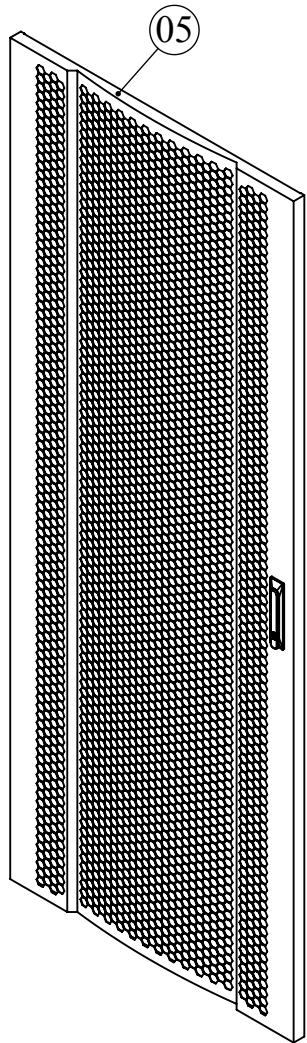
Drawing No: 4



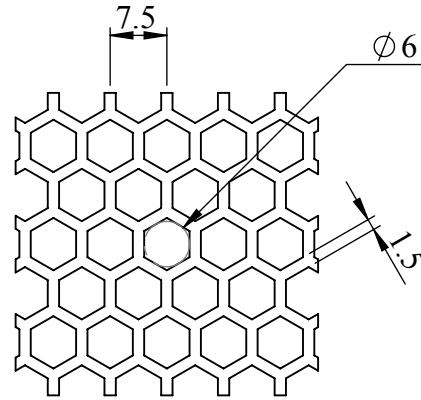
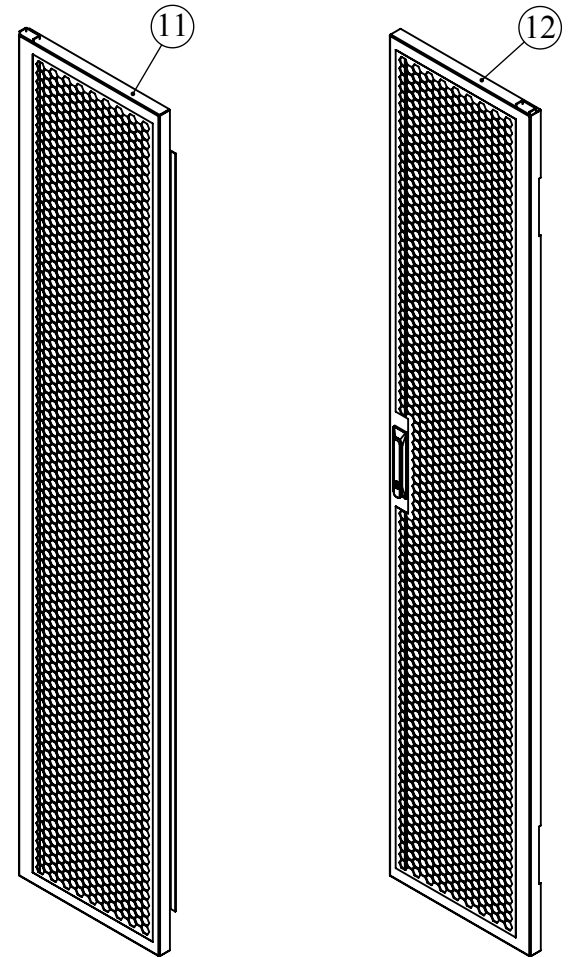
Sheet No: 7

DETAIL ITEM:

FRONT DOOR



REAR DOOR



**DETAIL A: HEXAGON
>64% PERFORATED DOOR**



SWINGHANDLE KEY

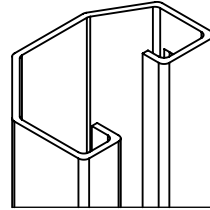
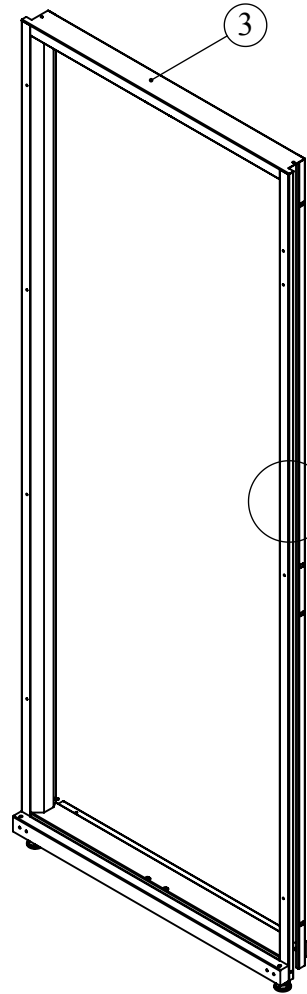


ANH MINH TECHNOLOGY COMPANY LIMITED-AMTEC CO.,LTD
17/3, Binh Quoi A, Binh Chuan, Thuan An, Binh Duong, Viet Nam
Tel: (84-650) 3612177 Fax: (84-650) 3612178
Email: info@amtec.com.vn Web: www.amtec.com.vn

Customer:	-	Drawing title:	AMTEC SMART-NET CABINET 45U 800x1100		Part No:	AMS45-8110			Sheet No: 7		
Design by:	HUỖNH HỮU AN	Date:		Checked by:	LÊ HOÀNG TUẤN	Date:				Material:	SPCC t=1.0 to 2.0
Drawn by:	HUỖNH HỮU AN	Date:		Approved by:	PHAN QUANG ĐỨC	Date:		Qty/Job:	-	Unit:	mm
File name:	-							Drawing No:	5		

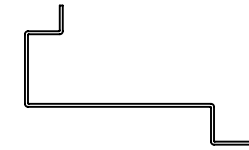
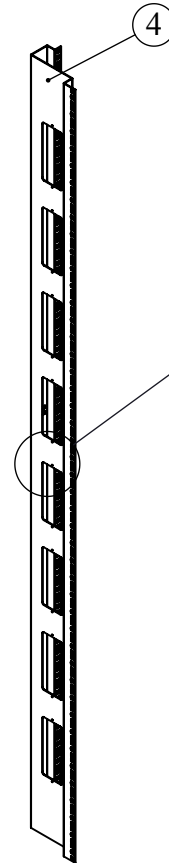
DETAIL ITEM:

FRAME

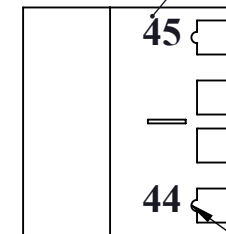


XTRUK 9 SIDES
MAX LOAD 1500kg

PROFILE BAR



U-HIGH
NUMBERING



KEY ID

MOUNTING PROFILE

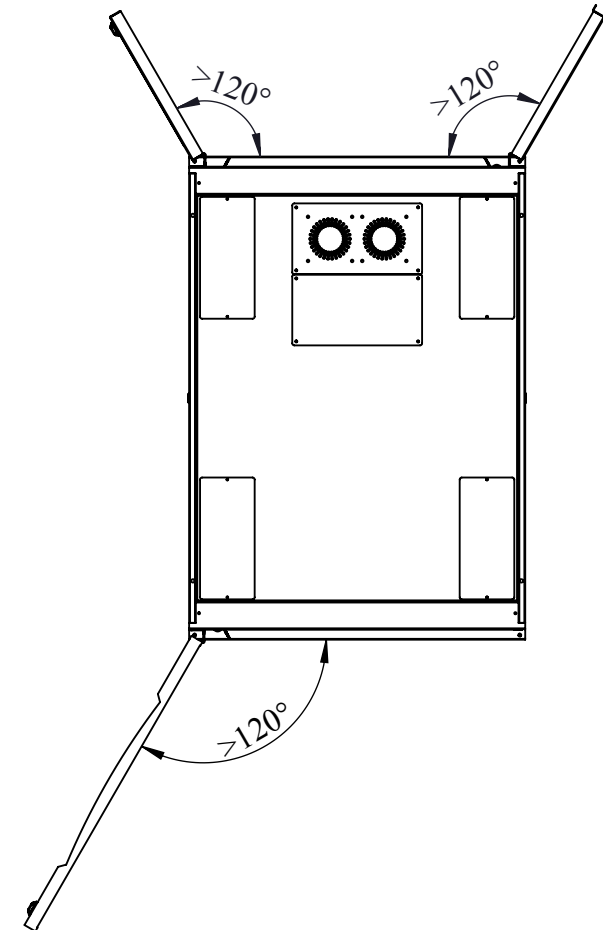
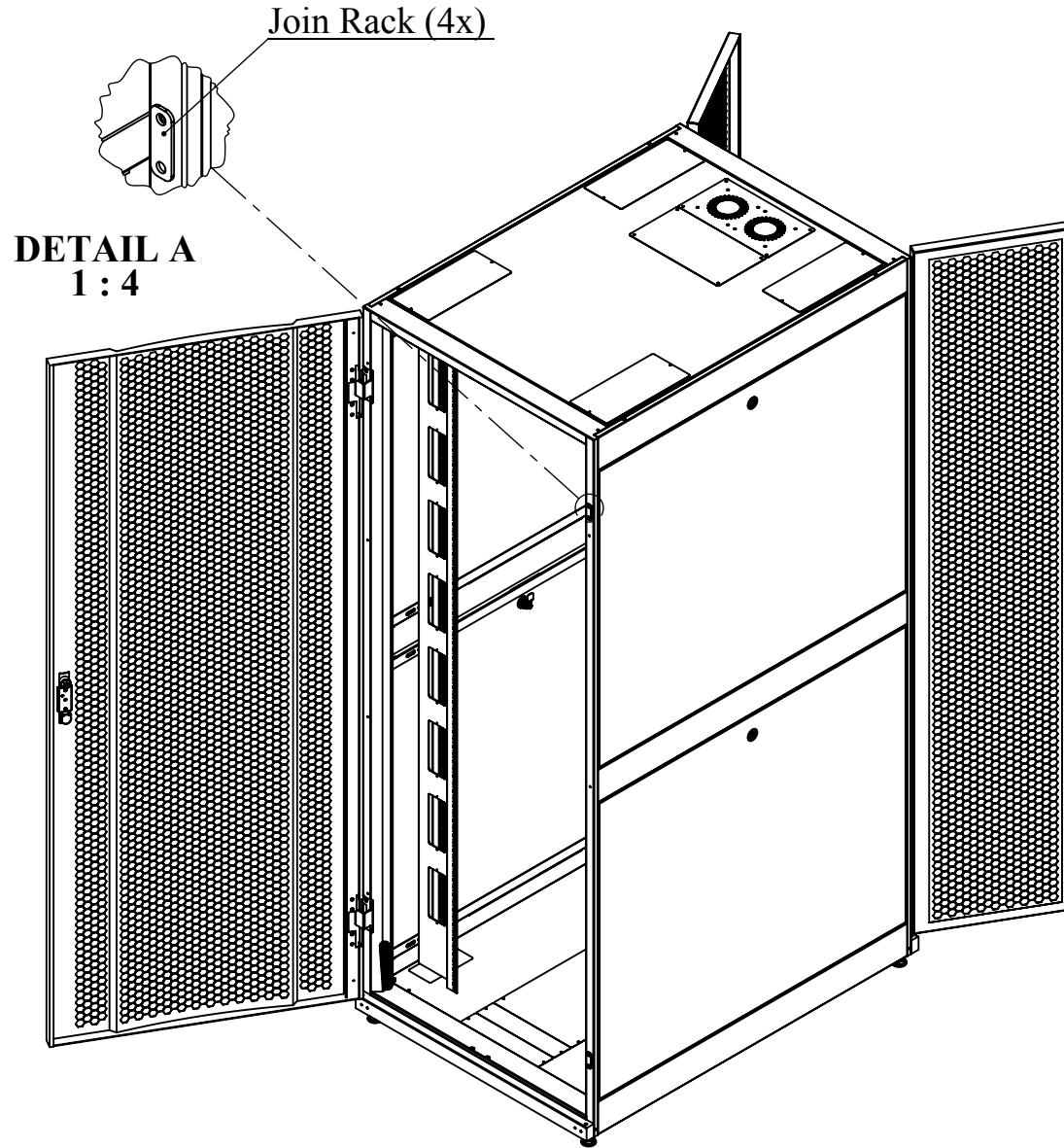


ANH MINH TECHNOLOGY COMPANY LIMITED-AMTEC CO.,LTD
17/3, Binh Quoi A, Binh Chuan, Thuan An, Binh Duong, Viet Nam
Tel: (84-650) 3612177 Fax: (84-650) 3612178
Email: info@amtec.com.vn Web: www.amtec.com.vn

Customer:	-	Drawing title:	AMTEC SMART-NET CABINET 45U 800x1100	Part No:	AMS45-8110		
Design by: HUỖNH HỮU AN	Date:	Checked by: LÊ HOÀNG TUẤN	Date:	Material: SPCC t=1.0 to 2.0	Scale: 1:16		Sheet No:
Drawn by: HUỖNH HỮU AN	Date:	Approved by: PHAN QUANG ĐỨC	Date:	Qty/Job: -	Unit: mm		7
File name:	-			Drawing No:	6		

ISOMETRIC VIEW

TOP VIEW



ANH MINH TECHNOLOGY COMPANY LIMITED-AMTEC CO.,LTD
 17/3, Binh Quoi A, Binh Chuan, Thuan An, Binh Duong, Viet Nam
 Tel: (84-650) 3612177 Fax: (84-650) 3612178
 Email: info@amtec.com.vn Web: www.amtec.com.vn

Customer:	-	Drawing title:	AMTEC SMART-NET CABINET 45U 800x1100		Part No:	AMS45-8110								
Design by:	HUỖNH HỮU ẮN	Date:		Checked by:	LÊ HOẶNG TUẦN	Date:			Material:	SPCC t=1.0 to 2.0	Scale:	1:18	Sheet No:	7
Drawn by:	HUỖNH HỮU ẮN	Date:		Approved by:	PHAN QUANG ĐỨC	Date:			Qty/Job:	-	Unit:	mm		
File name:	-			Drawing No:	7									