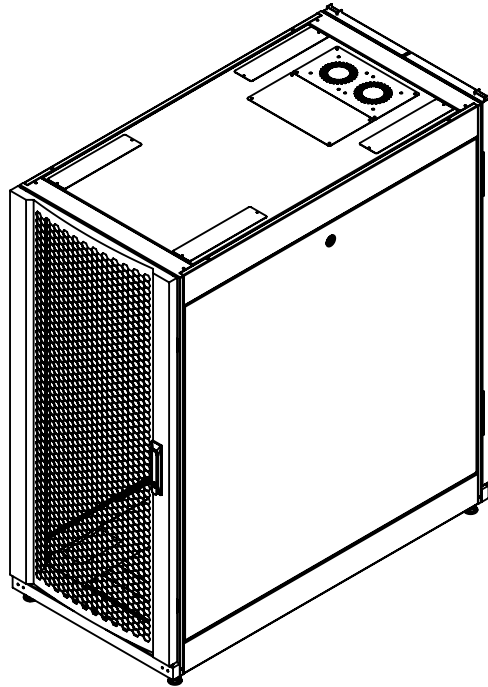
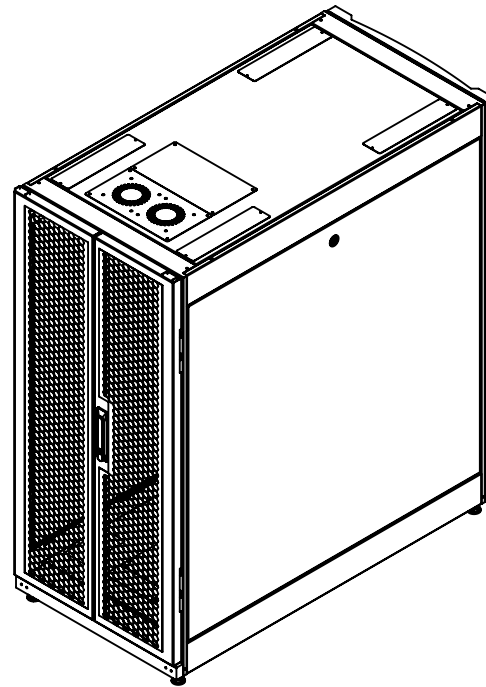


FRONT&RIGHT VIEW



REAR&LEFT VIEW



Specifications

1	Standard	- ISO 9001:2015 - ISO 14001:2015 - CE, EN/IEC 62368-1, RoHS - ANSI/EIA 310-D, phần A - DIN 41494 - BS5954 phần 2 - IEC 60297-1, IEC 60297-2 - IP20
2	Material	- Posso/JSVC Steel - SPCC/SD
3	Load capacity	. On 4 Casters 1200 kg. . On 4 Leveling feets 1500kg.
4	Color	Black
5	Air flow	Hexagon Perforated door >64%



ANH MINH TECHNOLOGY COMPANY LIMITED-AMTEC CO.,LTD
17/3, Binh Quoi A, Binh Chuan, Thuan An, Binh Duong, Viet Nam
Tel: (84-650) 3612177 Fax: (84-650) 3612178
Email: info@amtec.com.vn Web: www.amtec.com.vn

Customer: -

Drawing title:

AMTEC SMART-NET CABINET 27U 600x1200

Part No:

AMS27-6120

Design by: HUỲNH HỮU AN

Date:

Checked by: LÊ HOÀNG TUẤN

Date:

Material: SPCC t=1.0 to 2.0

Scale: 1:20

Sheet No:

Drawn by: HUỲNH HỮU AN

Date:

Approved by: PHAN QUANG ĐỨC

Date:

Qty/Job: -

Unit: mm

7

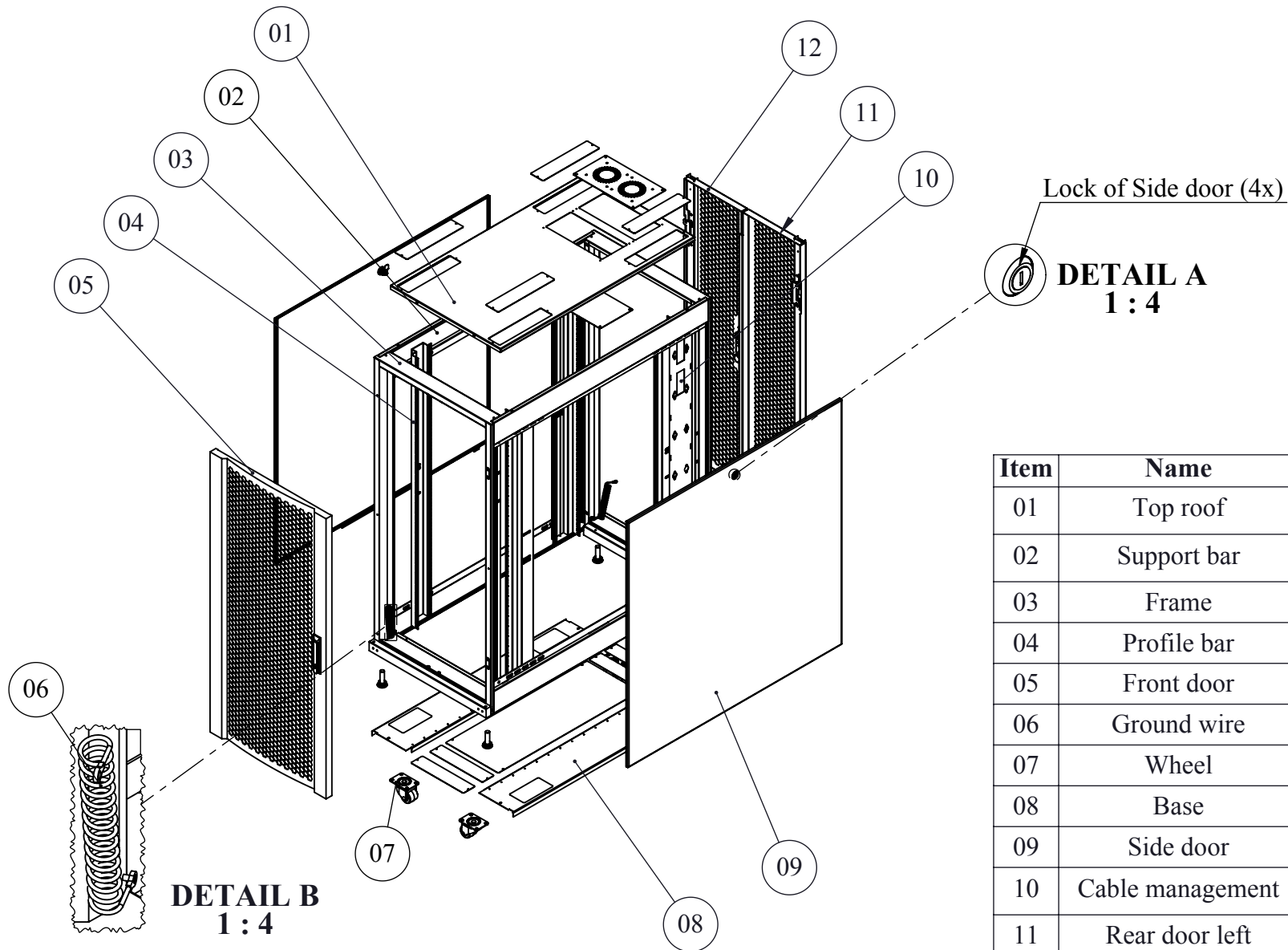
File name: -

Drawing No:

1



EXPLODE VIEW



Item	Name	Q'Ty	Thick	Description
01	Top roof	1	1.2	
02	Support bar	4	1.5	
03	Frame	2	2.0	
04	Profile bar	4	2.0	
05	Front door	1	1.2	>64% Perforated
06	Ground wire	3		
07	Wheel	4		Phi 50 x74H
08	Base	2	1.5	
09	Side door	2	1.0	
10	Cable management	2	1.0	Up to 4 PDU
11	Rear door left	1	1.2	>64% Perforated
12	Rear door right	1	1.2	>64% Perforated



ANH MINH TECHNOLOGY COMPANY LIMITED-AMTEC CO.,LTD
 17/3, Binh Quoi A, Binh Chuan, Thuan An, Binh Duong, Viet Nam
 Tel: (84-650) 3612177 Fax: (84-650) 3612178
 Email: info@amtec.com.vn Web: www.amtec.com.vn

Customer:

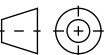
-

Drawing title:

AMTEC SMART-NET CABINET 27U 600x1200

Part No:

AMS27-6120



Design by: HUỖNH HỮU AN

Date:

Checked by: LÊ HOÀNG TUẤN

Date:

Material: SPCC t=1.0 to 2.0

Scale: 1:22

Sheet No:

Drawn by: HUỖNH HỮU AN

Date:

Approved by: PHAN QUANG ĐỨC

Date:

Qty/Job:

-

Unit: mm

7

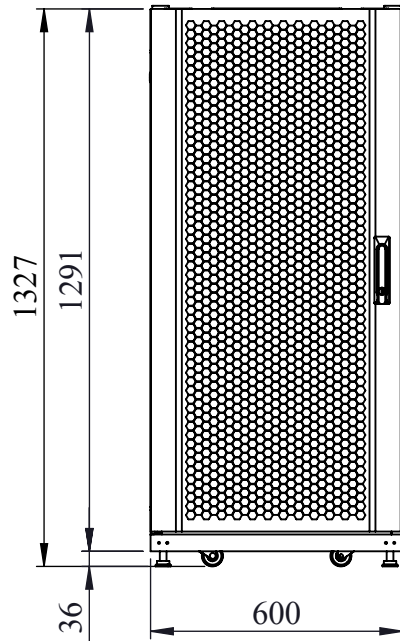
File name:

-

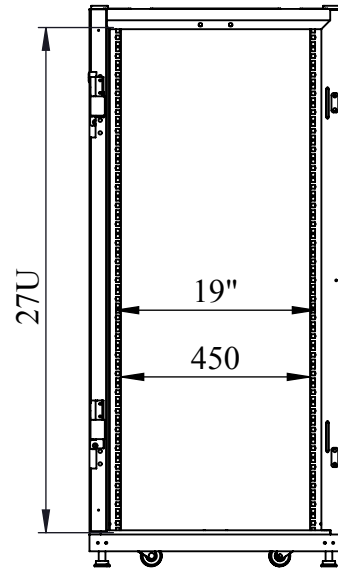
Drawing No:

2

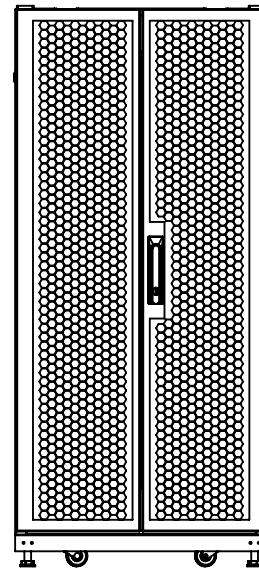
FRONT VIEW



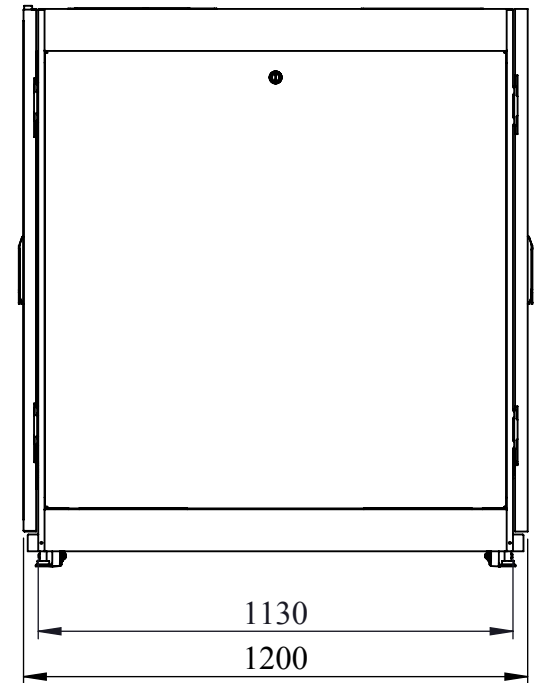
**FRONT VIEW
(REMOVED DOOR)**



REAR VIEW



SIDE VIEW

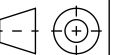


ANH MINH TECHNOLOGY COMPANY LIMITED-AMTEC CO.,LTD
 17/3, Binh Quoi A, Binh Chuan, Thuan An, Binh Duong, Viet Nam
 Tel: (84-650) 3612177 Fax: (84-650) 3612178
 Email: info@amtec.com.vn Web: www.amtec.com.vn

Customer: -
Design by: HUỖNH HỮU AN **Date:**
Drawn by: HUỖNH HỮU AN **Date:**
File name: -

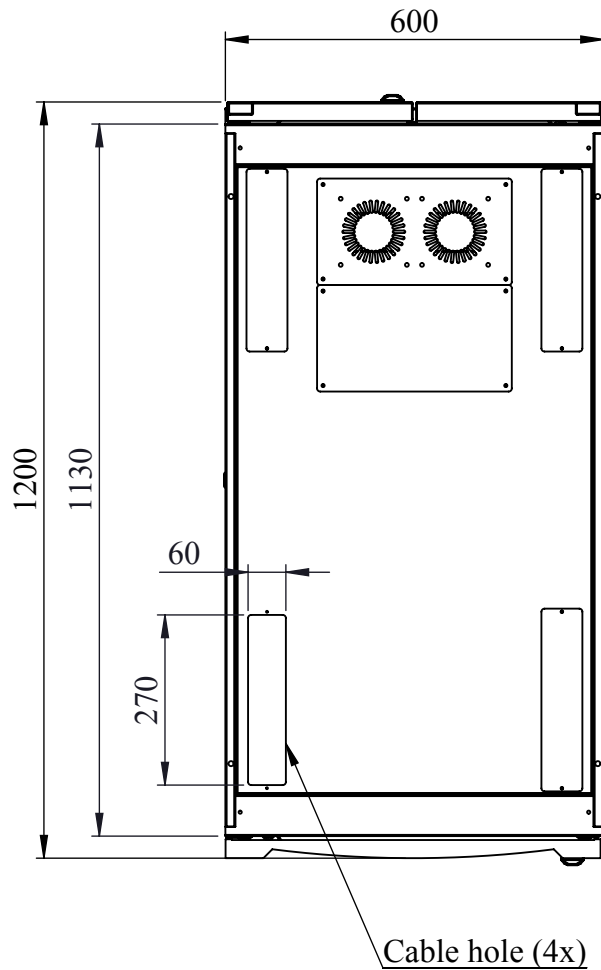
Drawing title: AMTEC SMART-NET CABINET 27U 600x1200
Checked by: LÊ HOÀNG TUẤN **Date:**
Approved by: PHAN QUANG ĐỨC **Date:**

Part No: AMS27-6120
Material: SPCC t=1.0 to 2.0 **Scale:** 1:18
Qty/Job: - **Unit:** mm
Drawing No: 3

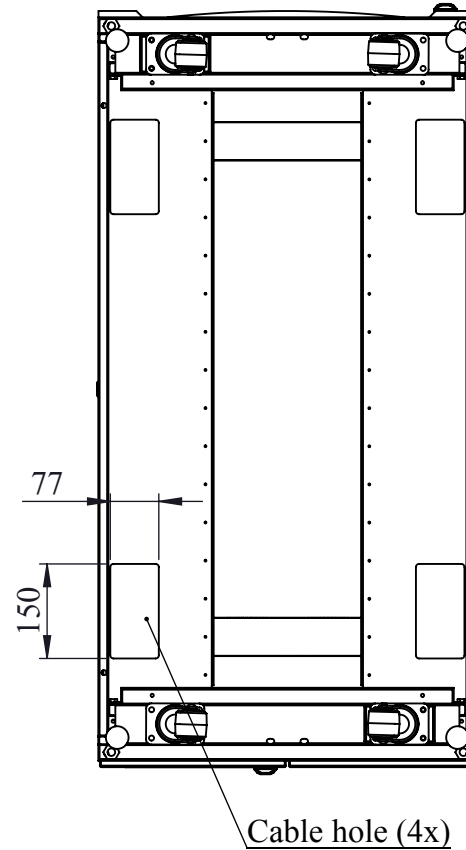


Sheet No: 7

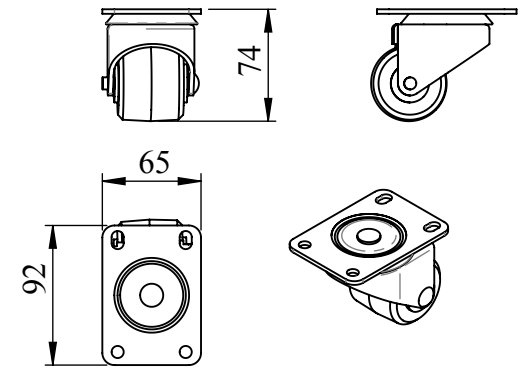
TOP VIEW



BOTTOM VIEW

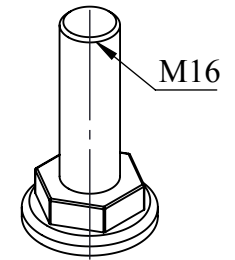


Caster



Max load 1200kg

Level feet



Max load 1500kg



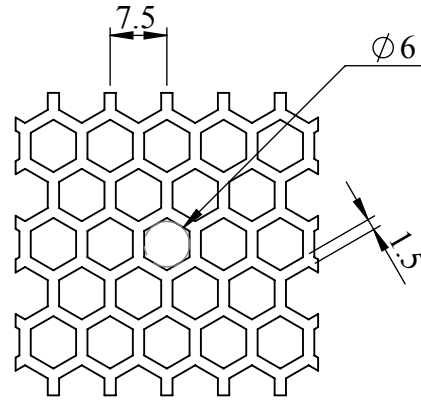
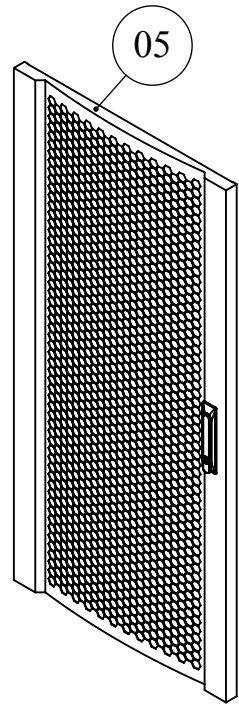
ANH MINH TECHNOLOGY COMPANY LIMITED-AMTEC CO.,LTD
 17/3, Binh Quoi A, Binh Chuan, Thuan An, Binh Duong, Viet Nam
 Tel: (84-650) 3612177 Fax: (84-650) 3612178
 Email: info@amtec.com.vn Web: www.amtec.com.vn

Customer:	-	Drawing title:	AMTEC SMART-NET CABINET 27U 600x1200		Part No:	AMS27-6120	 Sheet No: 7		
Design by:	HUỖNH HỮU AN	Date:		Checked by:	LÊ HOÀNG TUẤN	Date:		Material: SPCC t=1.0 to 2.0	Scale: 1:12
Drawn by:	HUỖNH HỮU AN	Date:		Approved by:	PHAN QUANG ĐỨC	Date:		Qty/Job: -	Unit: mm
File name:	-			Drawing No:	4				

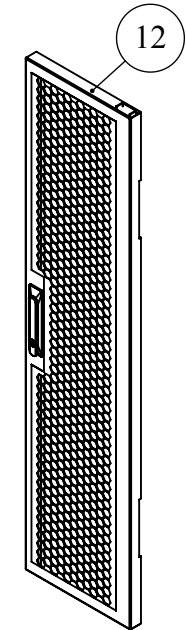
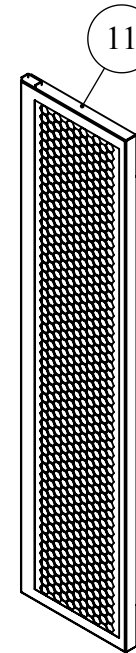
DETAIL ITEM:

FRONT DOOR

REAR DOOR



DETAIL A: HEXAGON
>64% PERFORATED DOOR



SWINGHANDLE KEY

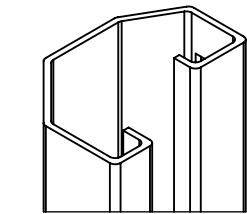
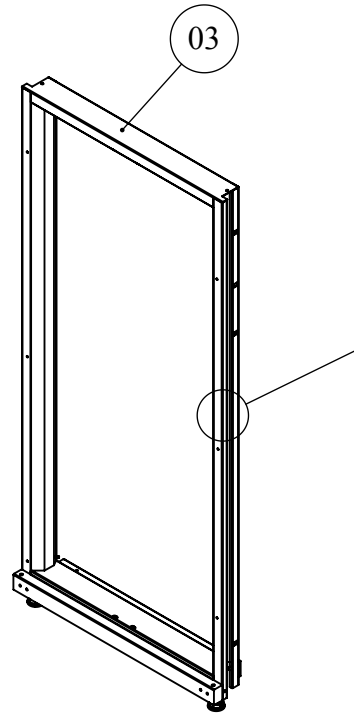


ANH MINH TECHNOLOGY COMPANY LIMITED-AMTEC CO.,LTD
17/3, Binh Quoi A, Binh Chuan, Thuan An, Binh Duong, Viet Nam
Tel: (84-650) 3612177 Fax: (84-650) 3612178
Email: info@amtec.com.vn Web: www.amtec.com.vn

Customer:	-	Drawing title:	AMTEC SMART-NET CABINET 27U 600x1200		Part No:	AMS27-6120			
Design by:	HUỲNH HỮU AN	Date:		Checked by:	LÊ HOÀNG TUẤN	Date:			Sheet No: 7
Drawn by:	HUỲNH HỮU AN	Date:		Approved by:	PHAN QUANG ĐỨC	Date:			
File name:	-			Drawing No:	5				
				Material:	SPCC t=1.0 to 2.0	Scale:	1:15		
				Qty/Job:	-	Unit:	mm		

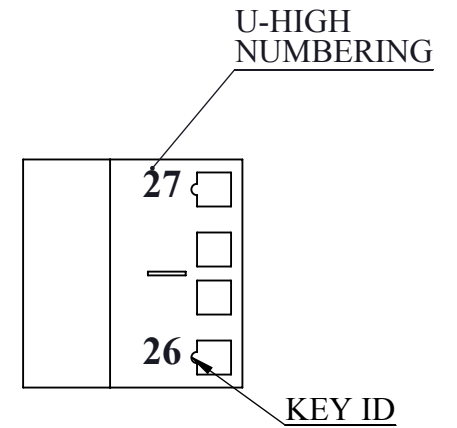
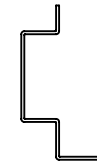
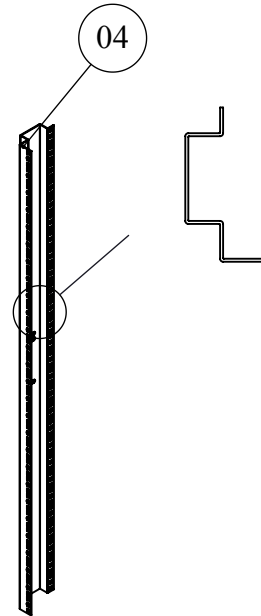
DETAIL ITEM:

FRAME



XTRUK 9 SIDES
MAX LOAD 1500kg

PROFILE BAR



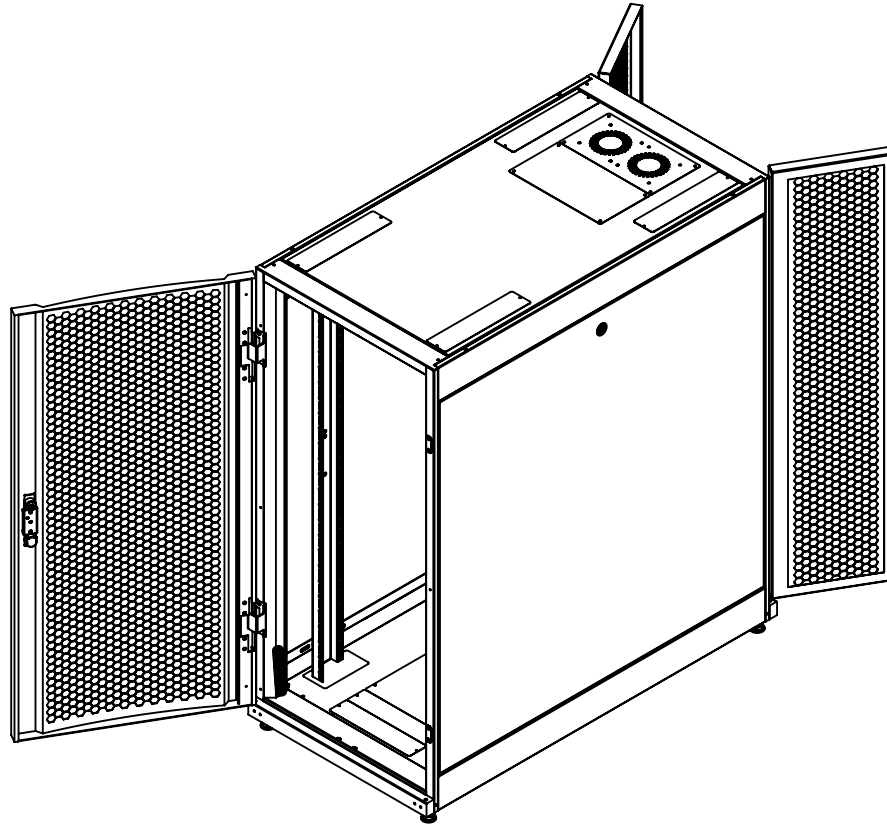
MOUNTING PROFILE



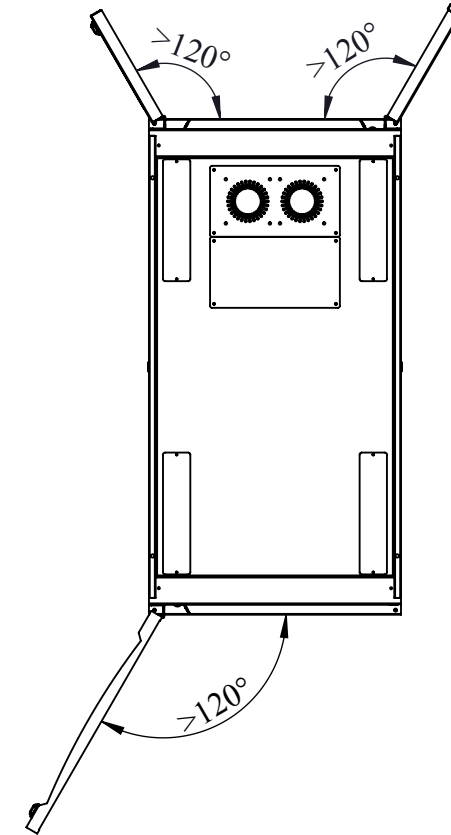
ANH MINH TECHNOLOGY COMPANY LIMITED-AMTEC CO.,LTD
17/3, Binh Quoi A, Binh Chuan, Thuan An, Binh Duong, Viet Nam
Tel: (84-650) 3612177 Fax: (84-650) 3612178
Email: info@amtec.com.vn Web: www.amtec.com.vn

Customer:	-	Drawing title:	AMTEC SMART-NET CABINET 27U 600x1200		Part No:	AMS27-6120			
Design by:	HUỖNH HỮU AN	Date:		Checked by:	LÊ HOÀNG TUẤN	Date:			Sheet No:
Drawn by:	HUỖNH HỮU AN	Date:		Approved by:	PHAN QUANG ĐỨC	Date:			
File name:	-			Qty/Job:	-	Unit:	mm		
				Drawing No:	6				

ISOMETRIC VIEW



TOP VIEW



ANH MINH TECHNOLOGY COMPANY LIMITED-AMTEC CO.,LTD
 17/3, Binh Quoi A, Binh Chuan, Thuan An, Binh Duong, Viet Nam
 Tel: (84-650) 3612177 Fax: (84-650) 3612178
 Email: info@amtec.com.vn Web: www.amtec.com.vn

Customer:	-	Drawing title:	AMTEC SMART-NET CABINET 27U 600x1200		Part No:	AMS27-6120								
Design by:	HUỲNH HỮU AN	Date:	-	Checked by:	LÊ HOÀNG TUẤN	Date:	-		Material:	SPCC t=1.0 to 2.0	Scale:	1:18	Sheet No:	7
Drawn by:	HUỲNH HỮU AN	Date:	-	Approved by:	PHAN QUANG ĐỨC	Date:	-		Qty/Job:	-	Unit:	mm		
File name:	-			Drawing No:	7									