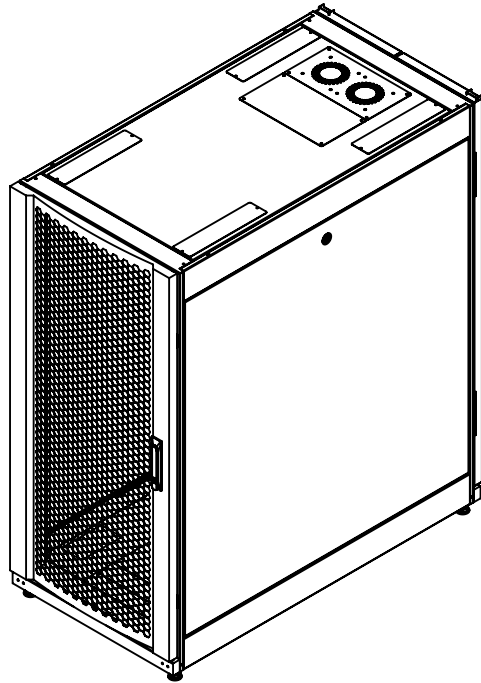
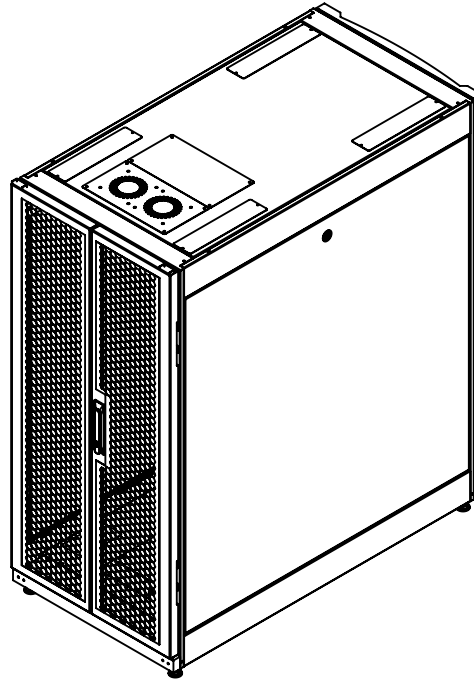


FRONT&RIGHT VIEW



REAR&LEFT VIEW



Specifications

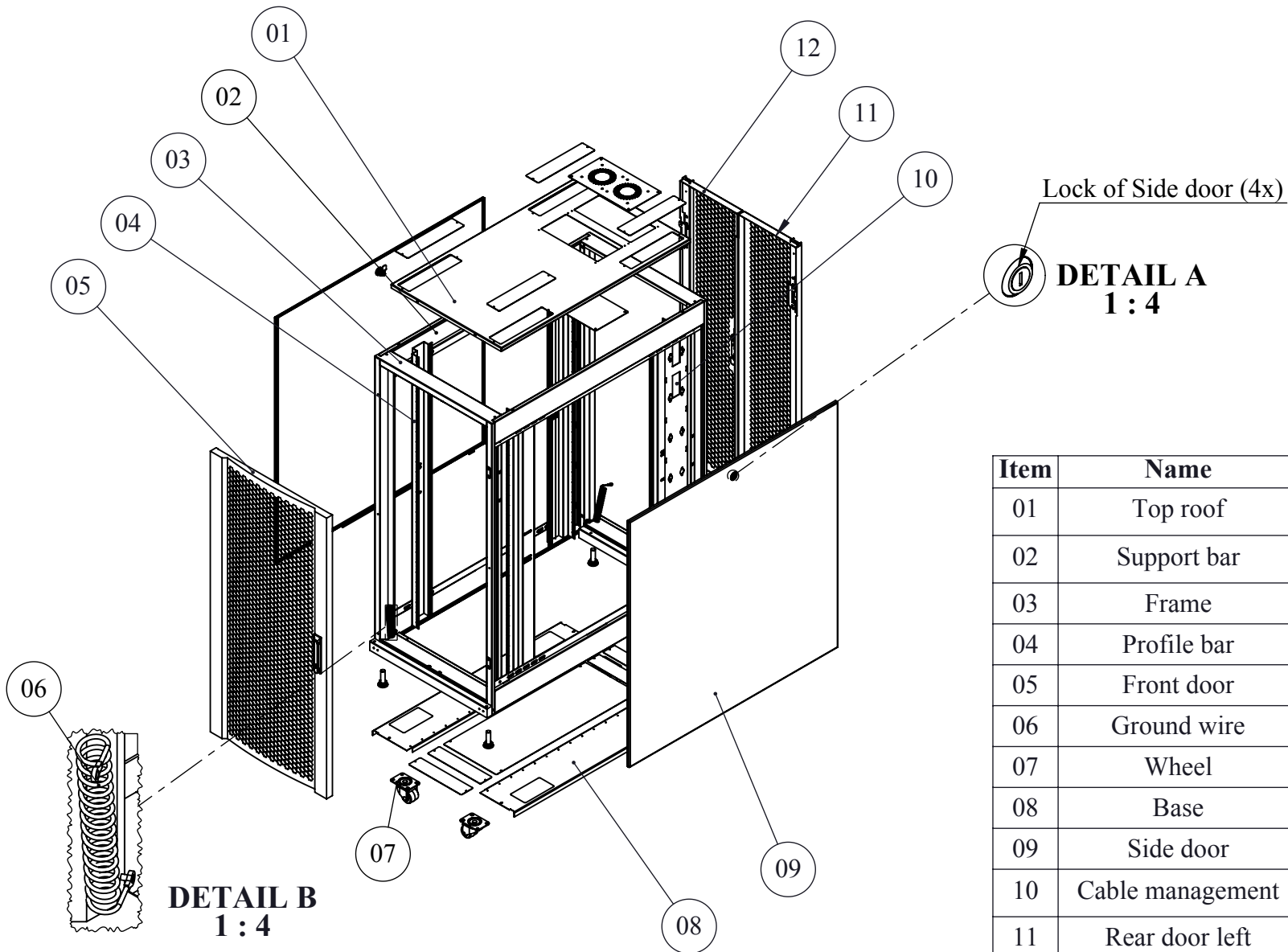
| | | |
|---|---------------|---|
| 1 | Standard | - ISO 9001:2015 - ISO 14001:2015 - CE, EN/IEC 62368-1, RoHS - ANSI/EIA 310-D, phần A - DIN 41494 - BS5954 phần 2 - IEC 60297-1, IEC 60297-2 - IP20 |
| 2 | Material | - Posso/JSVC Steel - SPCC/SD |
| 3 | Load capacity | . On 4 Casters 1200 kg. . On 4 Leveling feets 1500kg. |
| 4 | Color | Black |
| 5 | Air flow | Hexagon Perforated door >64% |



ANH MINH TECHNOLOGY COMPANY LIMITED-AMTEC CO.,LTD
17/3, Binh Quoi A, Binh Chuan, Thuan An, Binh Duong, Viet Nam
Tel: (84-650) 3612177 Fax: (84-650) 3612178
Email: info@amtec.com.vn Web: www.amtec.com.vn

| | | | | | | | | | |
|-------------------|--------------|-----------------------|--------------------------------------|---------------------|------------------|-------------------|---------------|--|------------------|
| Customer: | - | Drawing title: | AMTEC SMART-NET CABINET 27U 600x1100 | | Part No: | AMS27-6110 | | | |
| Design by: | HUỖNH HỮU AN | Date: | - | Checked by: | LÊ HOÀNG TUẤN | Date: | - | | Sheet No: |
| Drawn by: | HUỖNH HỮU AN | Date: | - | Approved by: | PHAN QUANG ĐỨC | Date: | - | | |
| File name: | - | Drawing No: | 1 | | Material: | SPCC t=1.0 to 2.0 | Scale: | | 1:20 |
| | | Qty/Job: | - | | Unit: | mm | | | |

EXPLODE VIEW



| Item | Name | Q'Ty | Thick | Description |
|------|------------------|------|-------|-----------------|
| 01 | Top roof | 1 | 1.2 | |
| 02 | Support bar | 4 | 1.5 | |
| 03 | Frame | 2 | 2.0 | |
| 04 | Profile bar | 4 | 2.0 | |
| 05 | Front door | 1 | 1.2 | >64% Perforated |
| 06 | Ground wire | 3 | | |
| 07 | Wheel | 4 | | Phi 50 x74H |
| 08 | Base | 2 | 1.5 | |
| 09 | Side door | 2 | 1.0 | |
| 10 | Cable management | 2 | 1.0 | Up to 4 PDU |
| 11 | Rear door left | 1 | 1.2 | >64% Perforated |
| 12 | Rear door right | 1 | 1.2 | >64% Perforated |



ANH MINH TECHNOLOGY COMPANY LIMITED-AMTEC CO.,LTD
 17/3, Binh Quoi A, Binh Chuan, Thuan An, Binh Duong, Viet Nam
 Tel: (84-650) 3612177 Fax: (84-650) 3612178
 Email: info@amtec.com.vn Web: www.amtec.com.vn

Customer: -

Drawing title:

AMTEC SMART-NET CABINET 27U 600x1100

Part No:

AMS27-6110

Design by: HUỖNH HỮU AN

Date:

Checked by: LÊ HOÀNG TUẤN

Date:

Material: SPCC t=1.0 to 2.0

Scale: 1:22

Sheet No:

Drawn by: HUỖNH HỮU AN

Date:

Approved by: PHAN QUANG ĐỨC

Date:

Qty/Job: -

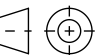
Unit: mm

7

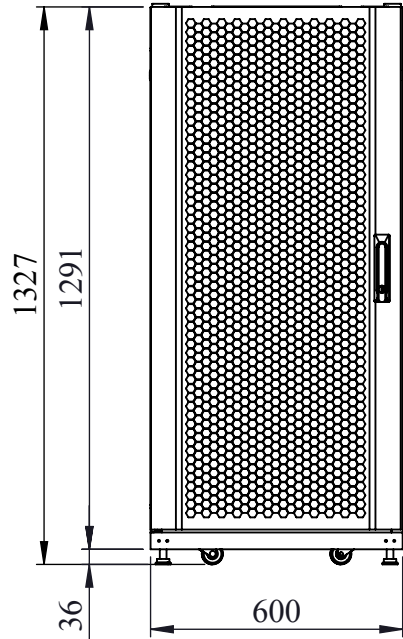
File name: -

Drawing No:

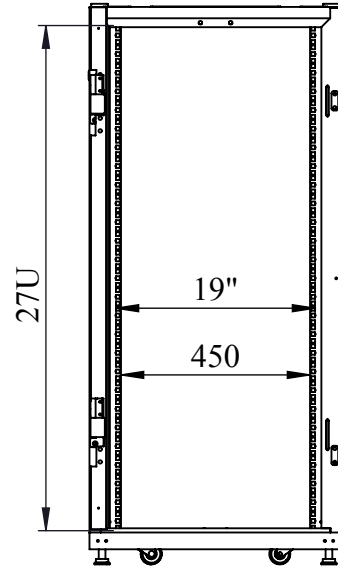
2



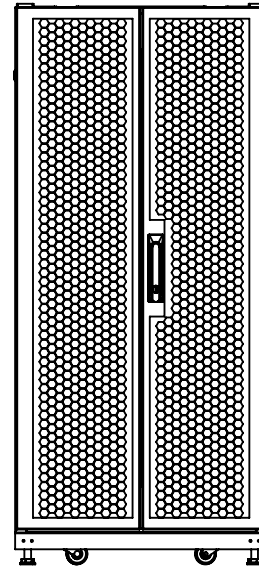
FRONT VIEW



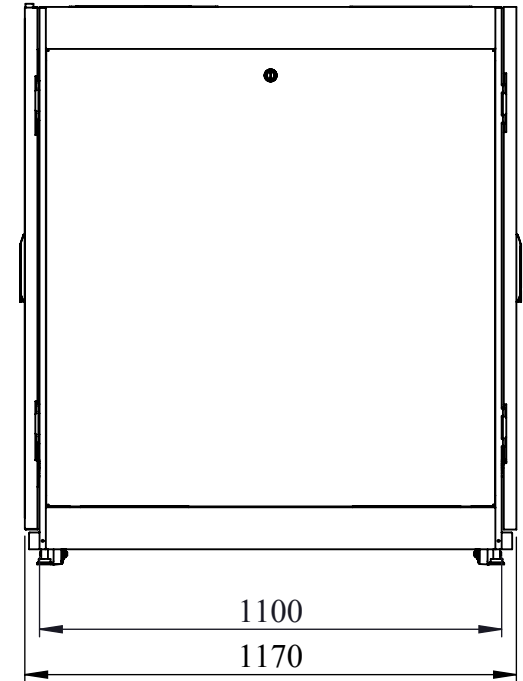
**FRONT VIEW
(REMOVED DOOR)**



REAR VIEW



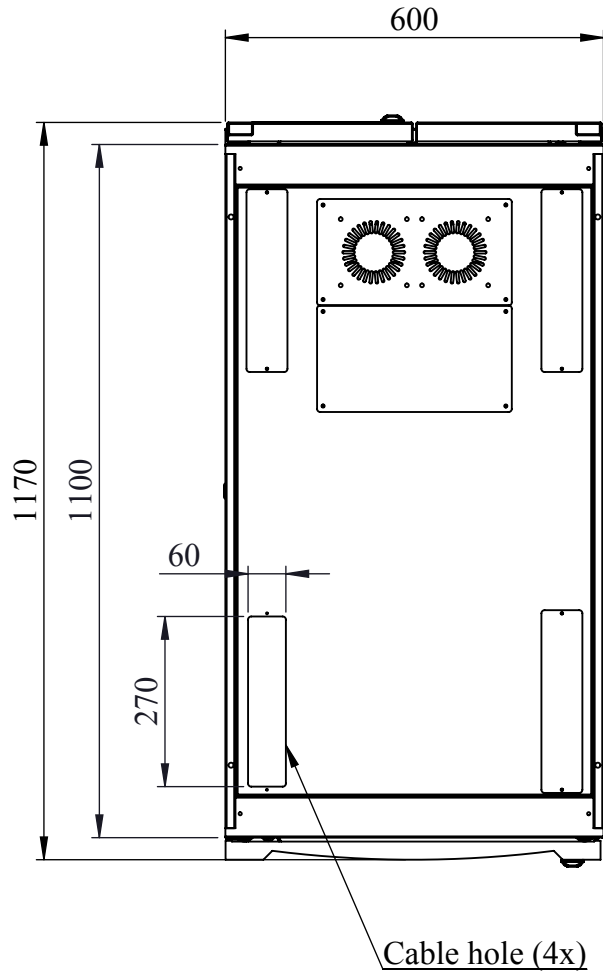
SIDE VIEW



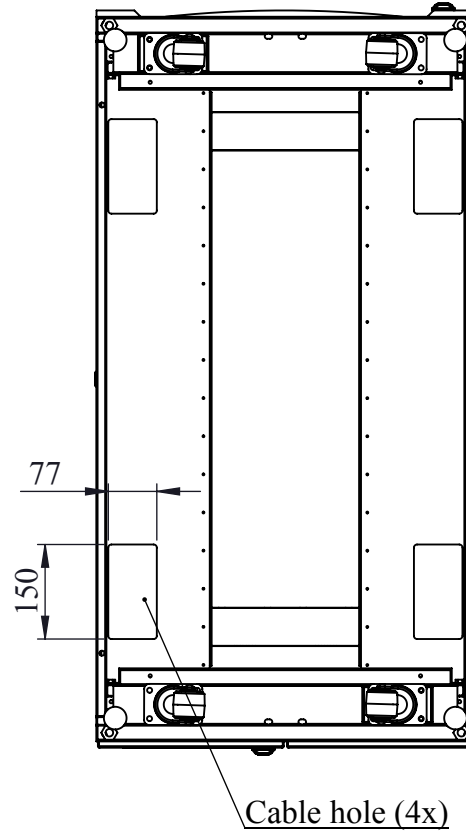
ANH MINH TECHNOLOGY COMPANY LIMITED-AMTEC CO.,LTD
 17/3, Binh Quoi A, Binh Chuan, Thuan An, Binh Duong, Viet Nam
 Tel: (84-650) 3612177 Fax: (84-650) 3612178
 Email: info@amtec.com.vn Web: www.amtec.com.vn

| | | | | | | | | | |
|-------------------|--------------|-----------------------|--------------------------------------|---------------------|-----------------|--------------|--|--|------------------|
| Customer: | - | Drawing title: | AMTEC SMART-NET CABINET 27U 600x1100 | | Part No: | AMS27-6110 | | | |
| Design by: | HUỖNH HỮU AN | Date: | | Checked by: | LÊ HOÀNG TUẤN | Date: | | | Sheet No: |
| Drawn by: | HUỖNH HỮU AN | Date: | | Approved by: | PHAN QUANG ĐỨC | Date: | | | |
| File name: | - | | | Drawing No: | 3 | | | | |

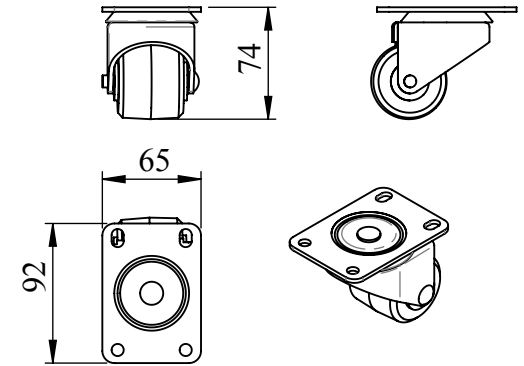
TOP VIEW



BOTTOM VIEW

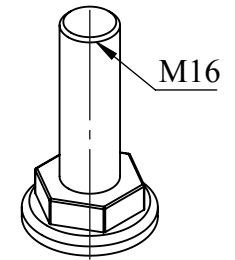


Caster



Max load 1200kg

Level feet



Max load 1500kg



ANH MINH TECHNOLOGY COMPANY LIMITED-AMTEC CO.,LTD
 17/3, Binh Quoi A, Binh Chuan, Thuan An, Binh Duong, Viet Nam
 Tel: (84-650) 3612177 Fax: (84-650) 3612178
 Email: info@amtec.com.vn Web: www.amtec.com.vn

Customer: -

Design by: HUỖNH HỮU AN **Date:** -

Drawn by: HUỖNH HỮU AN **Date:** -

File name: -

Drawing title: AMTEC SMART-NET CABINET 27U 600x1100

Checked by: LÊ HOÀNG TUẤN **Date:** -

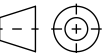
Approved by: PHAN QUANG ĐỨC **Date:** -

Part No: AMS27-6110

Material: SPCC t=1.0 to 2.0 **Scale:** 1:12

Qty/Job: - **Unit:** mm

Drawing No: 4

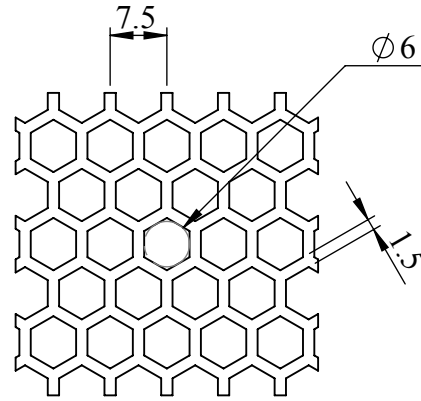
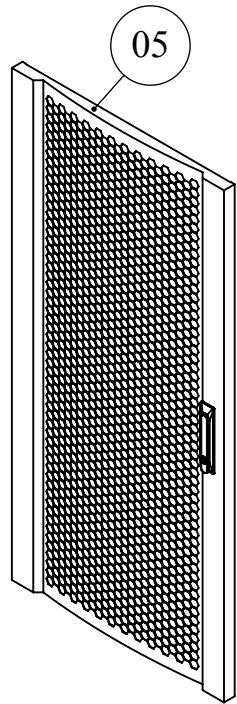


Sheet No: 7

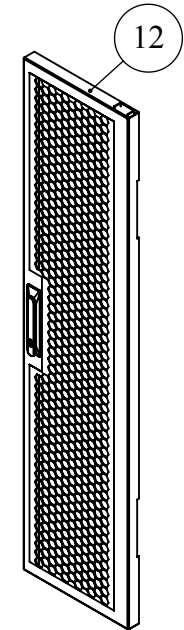
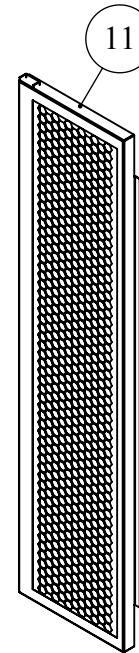
DETAIL ITEM:

FRONT DOOR

REAR DOOR



DETAIL A: HEXAGON
>64% PERFORATED DOOR



SWINGHANDLE KEY

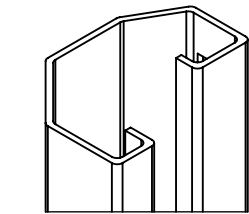
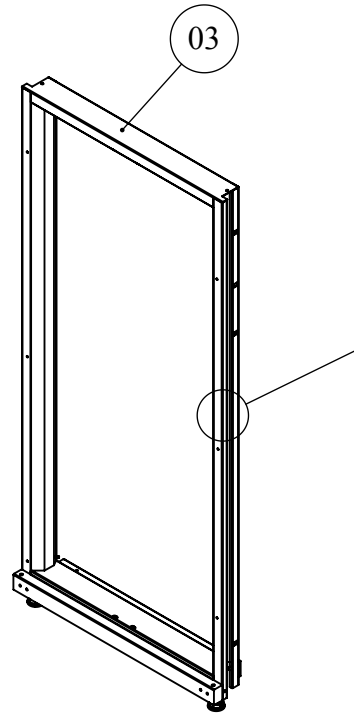


ANH MINH TECHNOLOGY COMPANY LIMITED-AMTEC CO.,LTD
17/3, Binh Quoi A, Binh Chuan, Thuan An, Binh Duong, Viet Nam
Tel: (84-650) 3612177 Fax: (84-650) 3612178
Email: info@amtec.com.vn Web: www.amtec.com.vn

| | | | | | | | | | |
|-------------------|--------------|-----------------------|--------------------------------------|---------------------|-----------------|--------------|----|--|------------------|
| Customer: | - | Drawing title: | AMTEC SMART-NET CABINET 27U 600x1100 | | Part No: | AMS27-6110 | | | |
| Design by: | HUỲNH HỮU AN | Date: | | Checked by: | LÊ HOÀNG TUẤN | Date: | | | Sheet No: |
| Drawn by: | HUỲNH HỮU AN | Date: | | Approved by: | PHAN QUANG ĐỨC | Date: | | | |
| File name: | - | | | Qty/Job: | - | Unit: | mm | | |
| | | | | Drawing No: | 5 | | | | |

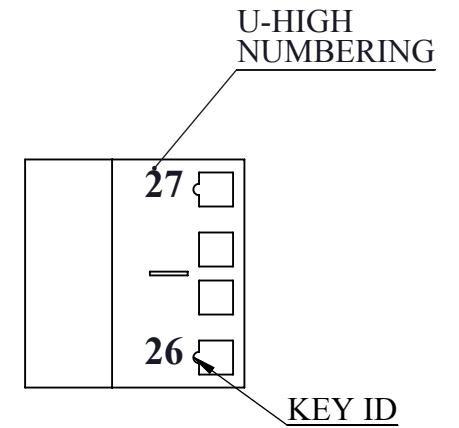
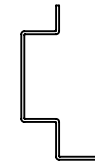
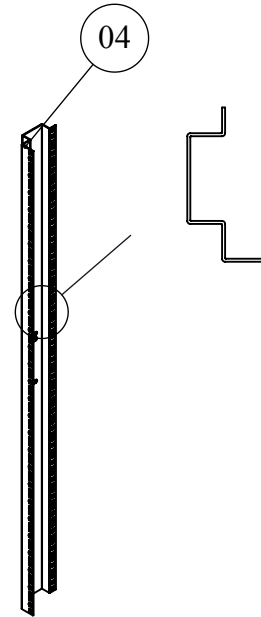
DETAIL ITEM:

FRAME



XTRUK 9 SIDES
MAX LOAD 1500kg

PROFILE BAR



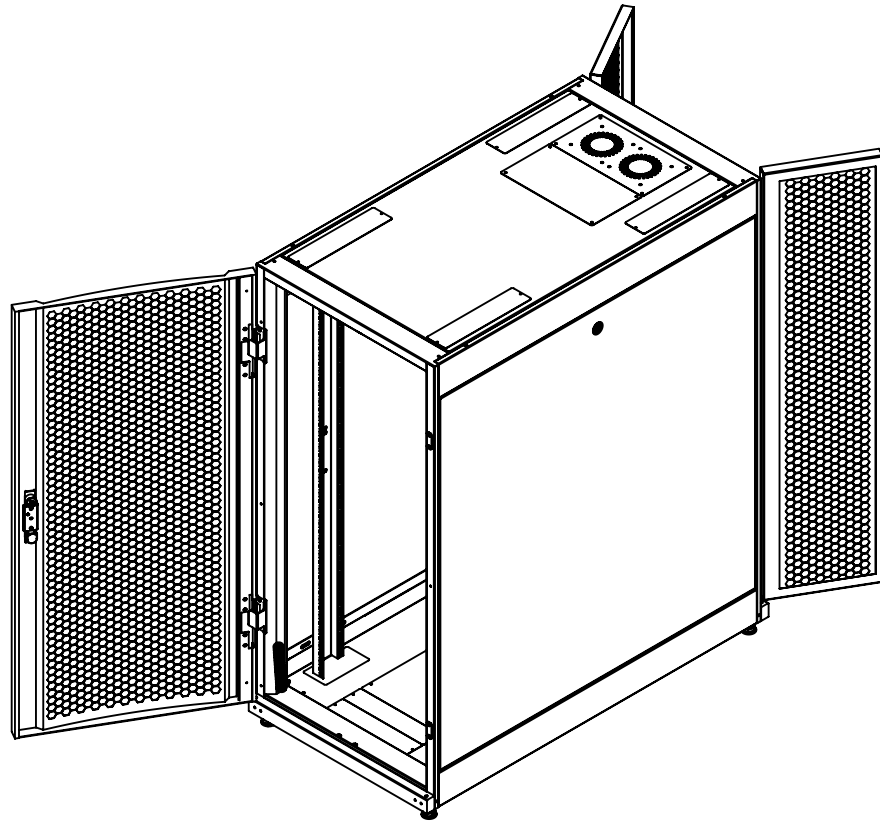
MOUNTING PROFILE



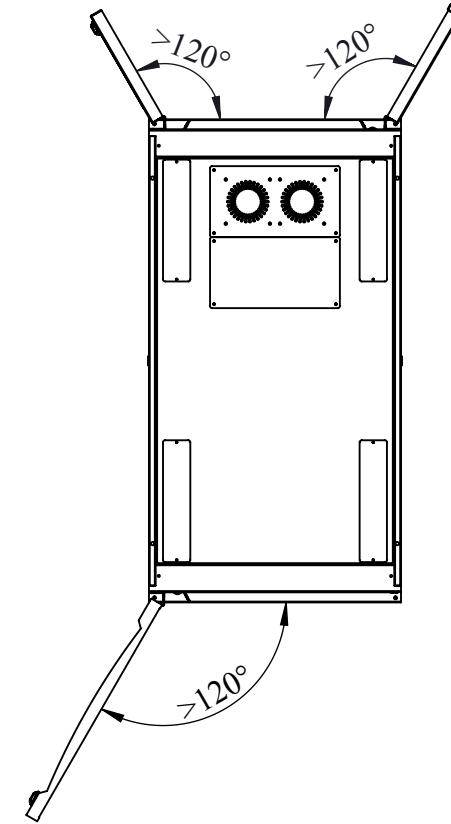
ANH MINH TECHNOLOGY COMPANY LIMITED-AMTEC CO.,LTD
17/3, Binh Quoi A, Binh Chuan, Thuan An, Binh Duong, Viet Nam
Tel: (84-650) 3612177 Fax: (84-650) 3612178
Email: info@amtec.com.vn Web: www.amtec.com.vn

| | | | | | | | | | | | | | | |
|-------------------|--------------|-----------------------|--------------------------------------|---------------------|-----------------|--------------|--|--|------------------|-------------------|---------------|------|------------------|---|
| Customer: | - | Drawing title: | AMTEC SMART-NET CABINET 27U 600x1100 | | Part No: | AMS27-6110 | | | | | | | | |
| Design by: | HUỖNH HỮU AN | Date: | | Checked by: | LÊ HOÀNG TUẤN | Date: | | | Material: | SPCC t=1.0 to 2.0 | Scale: | 1:16 | Sheet No: | 7 |
| Drawn by: | HUỖNH HỮU AN | Date: | | Approved by: | PHAN QUANG ĐỨC | Date: | | | Qty/Job: | - | Unit: | mm | | |
| File name: | - | | | Drawing No: | 6 | | | | | | | | | |

ISOMETRIC VIEW



TOP VIEW



ANH MINH TECHNOLOGY COMPANY LIMITED-AMTEC CO.,LTD
 17/3, Binh Quoi A, Binh Chuan, Thuan An, Binh Duong, Viet Nam
 Tel: (84-650) 3612177 Fax: (84-650) 3612178
 Email: info@amtec.com.vn Web: www.amtec.com.vn

| | | | | | | | | | |
|-------------------|--------------|-----------------------|--------------------------------------|---------------------|-------------------|---------------|------|--|------------------|
| Customer: | - | Drawing title: | AMTEC SMART-NET CABINET 27U 600x1100 | | Part No: | AMS27-6110 | | | |
| Design by: | HUỲNH HỮU AN | Date: | | Checked by: | LÊ HOÀNG TUẤN | Date: | | | Sheet No: |
| Drawn by: | HUỲNH HỮU AN | Date: | | Approved by: | PHAN QUANG ĐỨC | Date: | | | |
| File name: | - | | | Material: | SPCC t=1.0 to 2.0 | Scale: | 1:18 | | |
| | | | | Qty/Job: | - | Unit: | mm | | |
| | | | | Drawing No: | 7 | | | | |