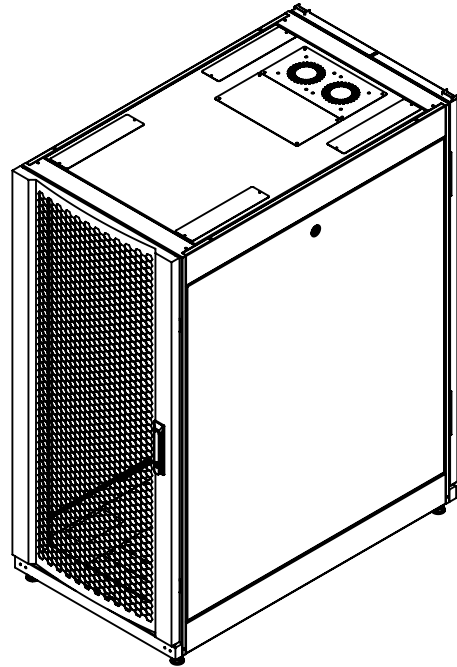
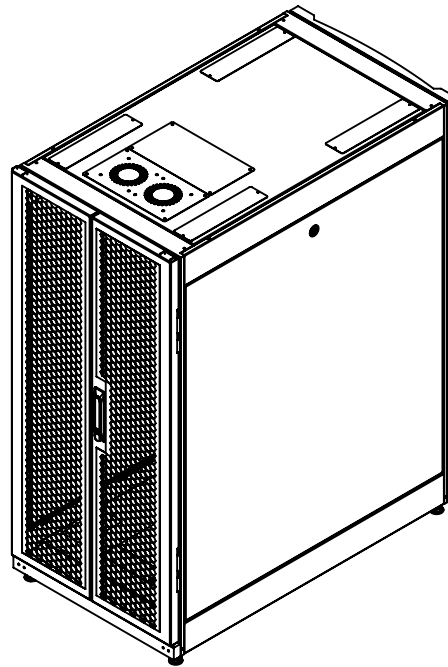


## FRONT&RIGHT VIEW



## REAR&LEFT VIEW



### Specifications

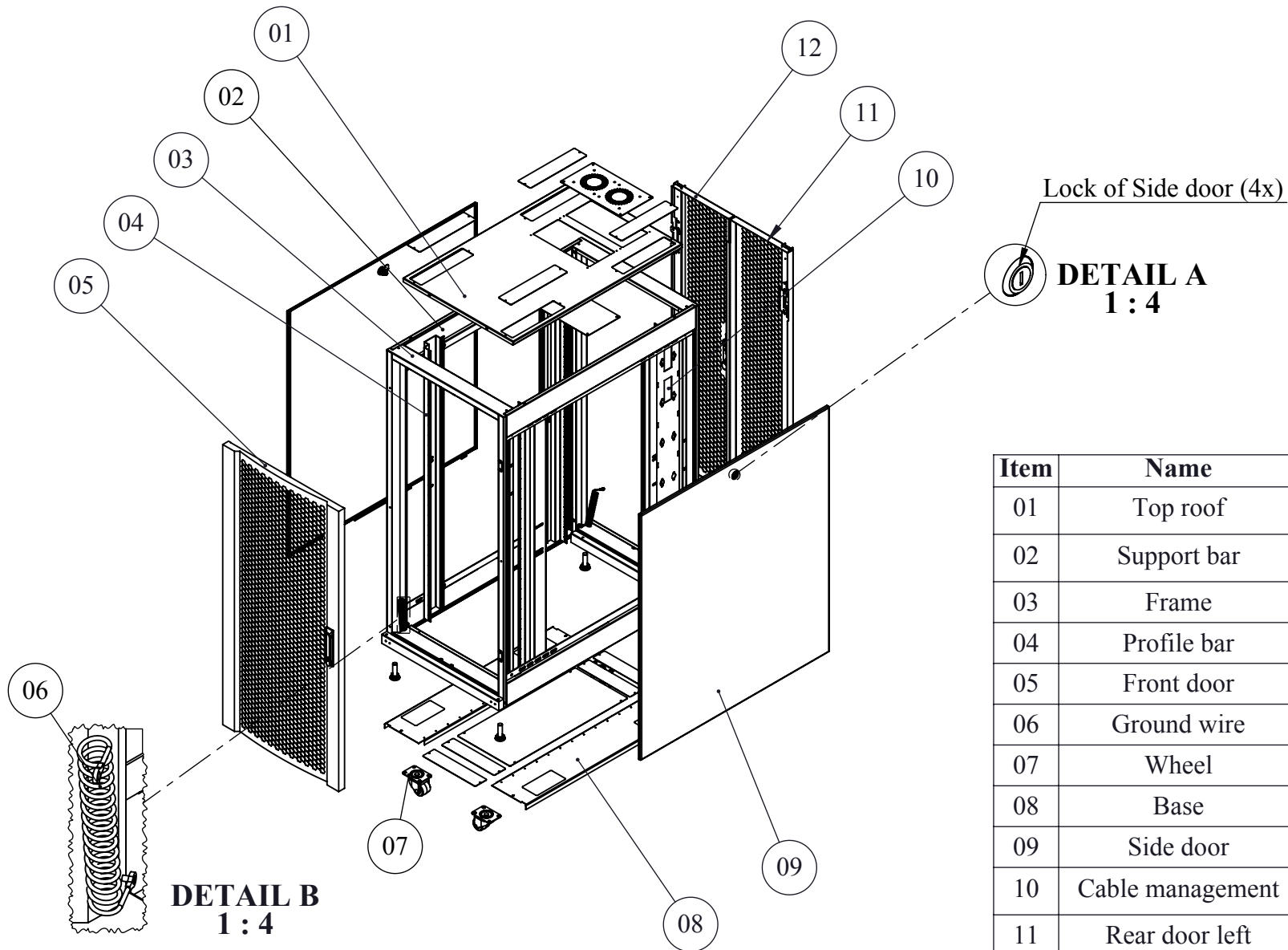
|   |               |   |
|---|---------------|---|
| 1 | Standard      | - ISO 9001:2015<br>- ISO 14001:2015<br>- CE, EN/IEC 62368-1, RoHS<br>- ANSI/EIA 310-D, phần A<br>- DIN 41494<br>- BS5954 phần 2<br>- IEC 60297-1, IEC 60297-2<br>- IP20 |
| 2 | Material      | - Posso/JSVC Steel<br>- SPCC/SD   |
| 3 | Load capacity | . On 4 Casters 1200 kg.<br>. On 4 Leveling feets 1500kg.  |
| 4 | Color         | Black   |
| 5 | Air flow      | Hexagon Perforated door >64%  |



ANH MINH TECHNOLOGY COMPANY LIMITED-AMTEC CO.,LTD  
17/3, Binh Quoi A, Binh Chuan, Thuan An, Binh Duong, Viet Nam  
Tel: (84-650) 3612177 Fax: (84-650) 3612178  
Email: info@amtec.com.vn Web: www.amtec.com.vn

|                   |              |                       |                                      |                     |                 |              |  |   |                  |                   |               |      |                  |   |
|-------------------|--------------|-----------------------|--------------------------------------|---------------------|-----------------|--------------|--|---|------------------|-------------------|---------------|------|------------------|---|
| <b>Customer:</b>  | -            | <b>Drawing title:</b> | AMTEC SMART-NET CABINET 27U 600x1000 |                     | <b>Part No:</b> | AMS27-6100   |  |   |                  |                   |               |      |                  |   |
| <b>Design by:</b> | HUỖNH HỮU AN | <b>Date:</b>          | -                                    | <b>Checked by:</b>  | LÊ HOÀNG TUẤN   | <b>Date:</b> |  | - | <b>Material:</b> | SPCC t=1.0 to 2.0 | <b>Scale:</b> | 1:20 | <b>Sheet No:</b> | 7 |
| <b>Drawn by:</b>  | HUỖNH HỮU AN | <b>Date:</b>          | -                                    | <b>Approved by:</b> | PHAN QUANG ĐỨC  | <b>Date:</b> |  | - | <b>Qty/Job:</b>  | -                 | <b>Unit:</b>  | mm   |                  |   |
| <b>File name:</b> | -            | <b>Drawing No:</b>    | 1                                    |                     |                 |              |  |   |                  |                   |               |      |                  |   |

# EXPLODE VIEW



| Item | Name             | Q'Ty | Thick | Description     |
|------|------------------|------|-------|-----------------|
| 01   | Top roof         | 1    | 1.2   |                 |
| 02   | Support bar      | 4    | 1.5   |                 |
| 03   | Frame            | 2    | 2.0   |                 |
| 04   | Profile bar      | 4    | 2.0   |                 |
| 05   | Front door       | 1    | 1.2   | >64% Perforated |
| 06   | Ground wire      | 3    |       |                 |
| 07   | Wheel            | 4    |       | Phi 50 x74H     |
| 08   | Base             | 2    | 1.5   |                 |
| 09   | Side door        | 2    | 1.0   |                 |
| 10   | Cable management | 2    | 1.0   | Up to 4 PDU     |
| 11   | Rear door left   | 1    | 1.2   | >64% Perforated |
| 12   | Rear door right  | 1    | 1.2   | >64% Perforated |



ANH MINH TECHNOLOGY COMPANY LIMITED-AMTEC CO.,LTD  
 17/3, Binh Quoi A, Binh Chuan, Thuan An, Binh Duong, Viet Nam  
 Tel: (84-650) 3612177 Fax: (84-650) 3612178  
 Email: info@amtec.com.vn Web: www.amtec.com.vn

Customer: -

Drawing title:

AMTEC SMART-NET CABINET 27U 600x1000

Part No:

AMS27-6100

Design by: HUỖNH HỮU AN

Date:

Checked by: LÊ HOÀNG TUẤN

Date:

Material: SPCC t=1.0 to 2.0

Scale: 1:22

Sheet No:

Drawn by: HUỖNH HỮU AN

Date:

Approved by: PHAN QUANG ĐỨC

Date:

Qty/Job: -

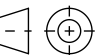
Unit: mm

7

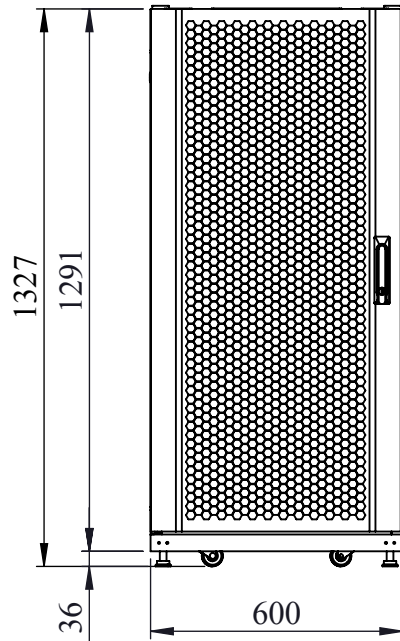
File name: -

Drawing No:

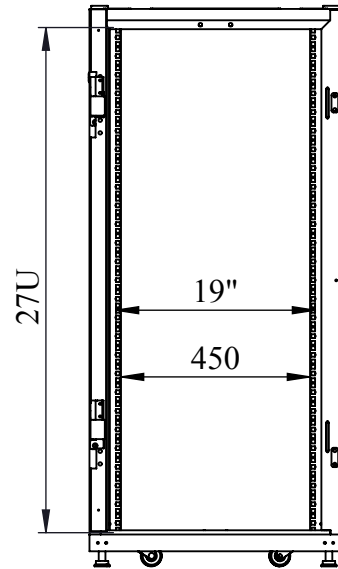
2



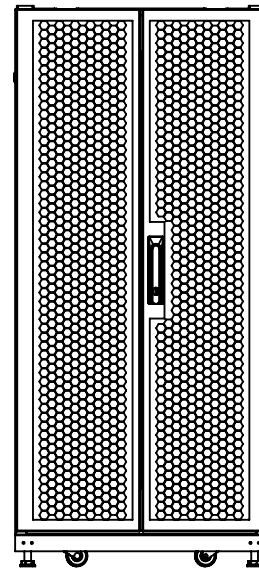
**FRONT VIEW**



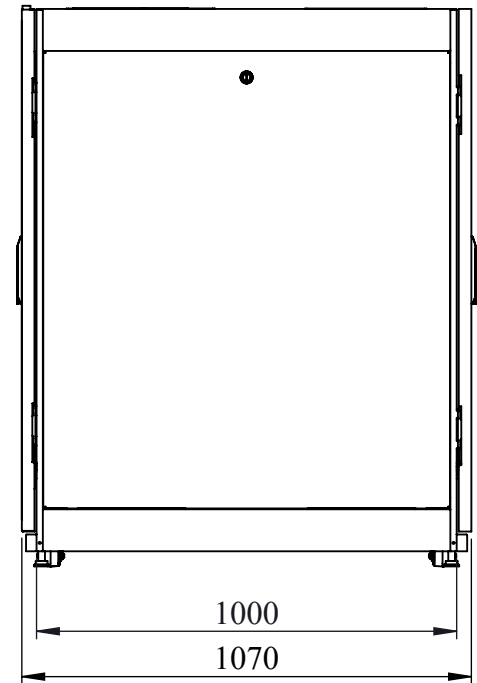
**FRONT VIEW  
(REMOVED DOOR)**



**REAR VIEW**



**SIDE VIEW**

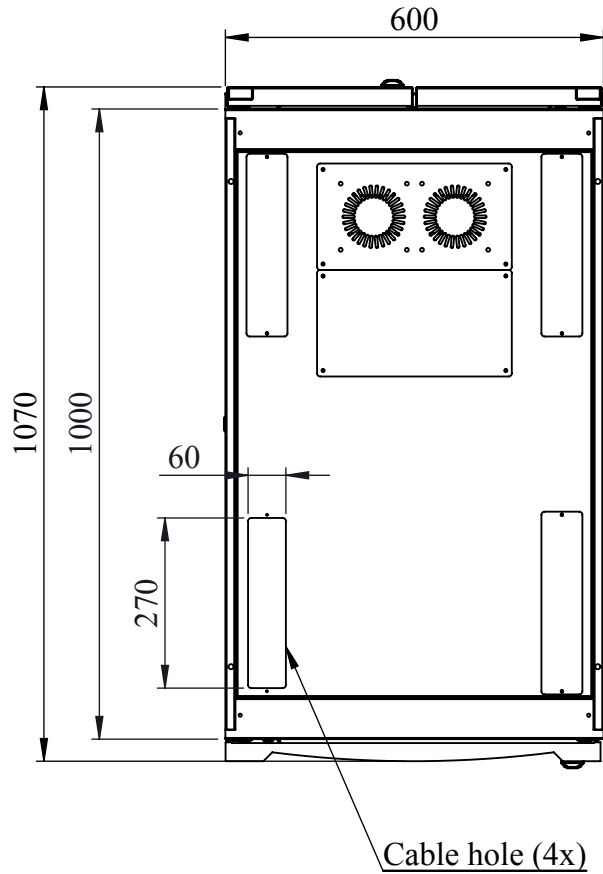


ANH MINH TECHNOLOGY COMPANY LIMITED-AMTEC CO.,LTD  
 17/3, Binh Quoi A, Binh Chuan, Thuan An, Binh Duong, Viet Nam  
 Tel: (84-650) 3612177 Fax: (84-650) 3612178  
 Email: info@amtec.com.vn Web: www.amtec.com.vn

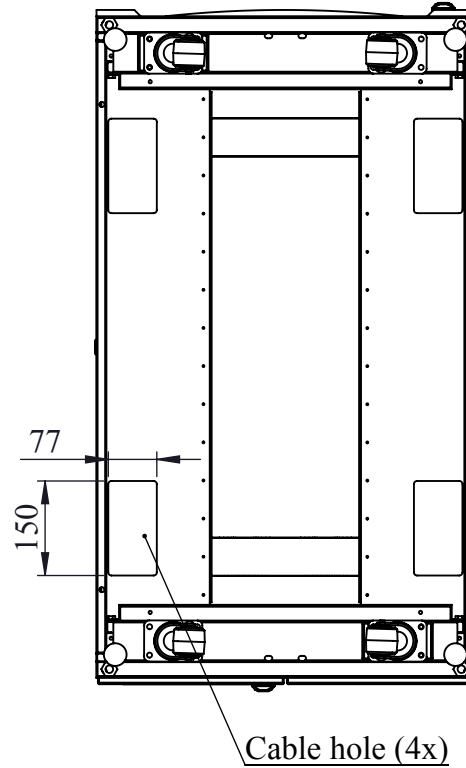
|                   |              |                       |                                      |                     |                 |              |  |  |                  |
|-------------------|--------------|-----------------------|--------------------------------------|---------------------|-----------------|--------------|--|--|------------------|
| <b>Customer:</b>  | -            | <b>Drawing title:</b> | AMTEC SMART-NET CABINET 27U 600x1000 |                     | <b>Part No:</b> | AMS27-6100   |  |  |                  |
| <b>Design by:</b> | HUỖNH HỮU AN | <b>Date:</b>          |                                      | <b>Checked by:</b>  | LÊ HOÀNG TUẤN   | <b>Date:</b> |  |  | <b>Sheet No:</b> |
| <b>Drawn by:</b>  | HUỖNH HỮU AN | <b>Date:</b>          |                                      | <b>Approved by:</b> | PHAN QUANG ĐỨC  | <b>Date:</b> |  |  |                  |
| <b>File name:</b> | -            |                       |                                      | <b>Drawing No:</b>  | 3               |              |  |  |                  |

**Material:** SPCC t=1.0 to 2.0    **Scale:** 1:18  
**Qty/Job:** -    **Unit:** mm

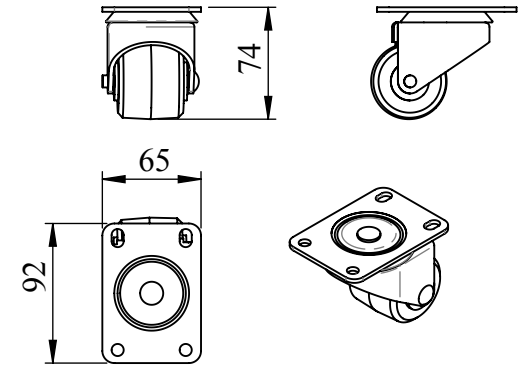
### TOP VIEW



### BOTTOM VIEW

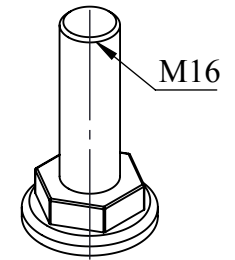


### Caster



Max load 1200kg

### Level feet



Max load 1500kg

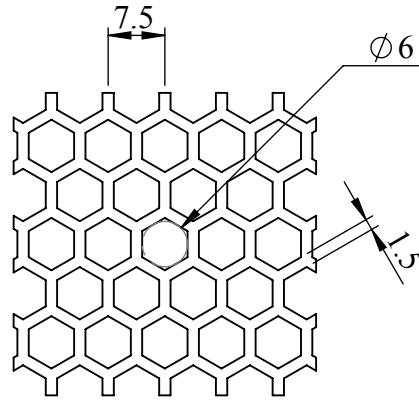
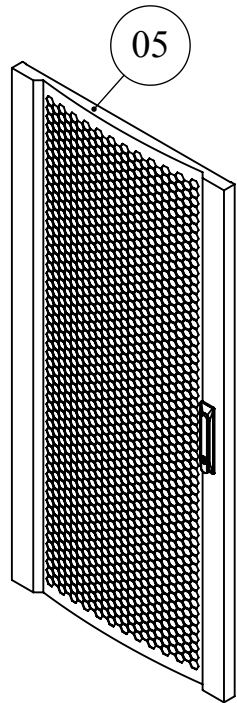


ANH MINH TECHNOLOGY COMPANY LIMITED-AMTEC CO.,LTD  
 17/3, Binh Quoi A, Binh Chuan, Thuan An, Binh Duong, Viet Nam  
 Tel: (84-650) 3612177 Fax: (84-650) 3612178  
 Email: info@amtec.com.vn Web: www.amtec.com.vn

|                   |              |                       |                                      |                     |                   |               |      |  |                  |
|-------------------|--------------|-----------------------|--------------------------------------|---------------------|-------------------|---------------|------|--|------------------|
| <b>Customer:</b>  | -            | <b>Drawing title:</b> | AMTEC SMART-NET CABINET 27U 600x1000 |                     | <b>Part No:</b>   | AMS27-6100    |      |  |                  |
| <b>Design by:</b> | HUỖNH HỮU AN | <b>Date:</b>          |                                      | <b>Checked by:</b>  | LÊ HOÀNG TUẤN     | <b>Date:</b>  |      |  | <b>Sheet No:</b> |
| <b>Drawn by:</b>  | HUỖNH HỮU AN | <b>Date:</b>          |                                      | <b>Approved by:</b> | PHAN QUANG ĐỨC    | <b>Date:</b>  |      |  |                  |
| <b>File name:</b> | -            |                       |                                      | <b>Material:</b>    | SPCC t=1.0 to 2.0 | <b>Scale:</b> | 1:12 |  |                  |
|                   |              |                       |                                      | <b>Qty/Job:</b>     | -                 | <b>Unit:</b>  | mm   |  |                  |
|                   |              |                       |                                      | <b>Drawing No:</b>  | 4                 |               |      |  |                  |

**DETAIL ITEM:**

**FRONT DOOR**

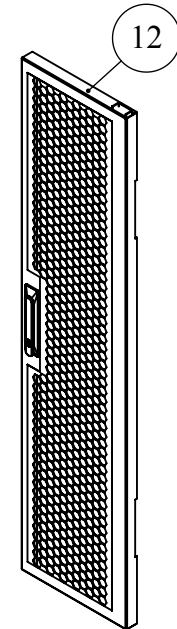
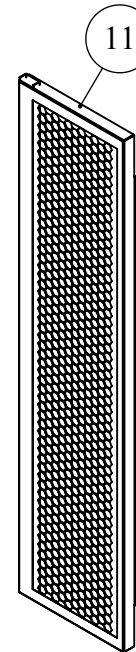


DETAIL A: HEXAGON  
>64% PERFORATED DOOR



SWINGHANDLE KEY

**REAR DOOR**

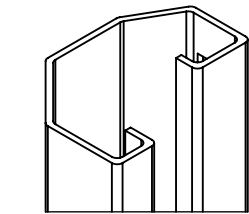
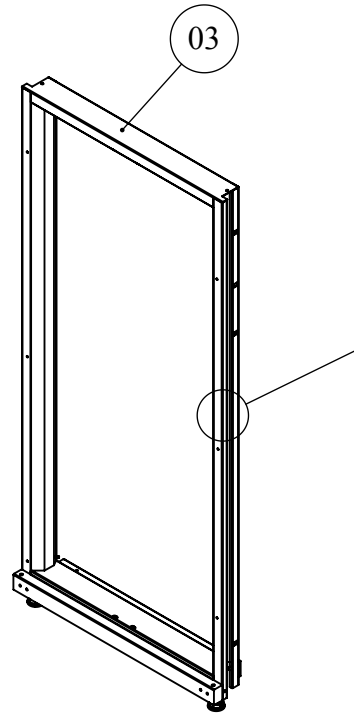


ANH MINH TECHNOLOGY COMPANY LIMITED-AMTEC CO.,LTD  
17/3, Binh Quoi A, Binh Chuan, Thuan An, Binh Duong, Viet Nam  
Tel: (84-650) 3612177 Fax: (84-650) 3612178  
Email: info@amtec.com.vn Web: www.amtec.com.vn

|                   |              |                       |                                      |                     |                 |              |    |  |                  |
|-------------------|--------------|-----------------------|--------------------------------------|---------------------|-----------------|--------------|----|--|------------------|
| <b>Customer:</b>  | -            | <b>Drawing title:</b> | AMTEC SMART-NET CABINET 27U 600x1000 |                     | <b>Part No:</b> | AMS27-6100   |    |  |                  |
| <b>Design by:</b> | HUỖNH HỮU AN | <b>Date:</b>          |                                      | <b>Checked by:</b>  | LÊ HOÀNG TUẤN   | <b>Date:</b> |    |  | <b>Sheet No:</b> |
| <b>Drawn by:</b>  | HUỖNH HỮU AN | <b>Date:</b>          |                                      | <b>Approved by:</b> | PHAN QUANG ĐỨC  | <b>Date:</b> |    |  |                  |
| <b>File name:</b> | -            |                       |                                      | <b>Qty/Job:</b>     | -               | <b>Unit:</b> | mm |  |                  |
|                   |              |                       |                                      | <b>Drawing No:</b>  | 5               |              |    |  |                  |

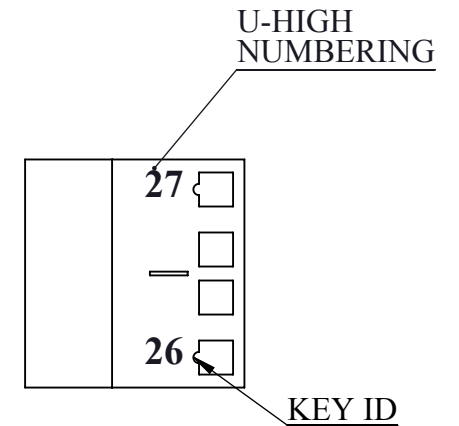
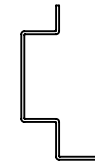
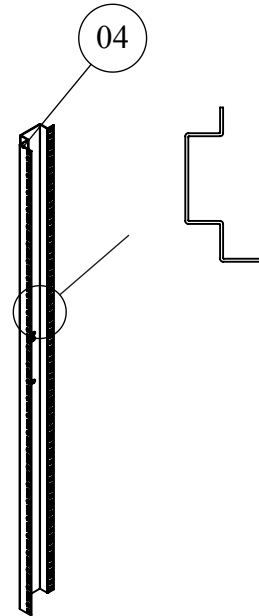
# DETAIL ITEM:

## FRAME



XTRUK 9 SIDES  
MAX LOAD 1500kg

## PROFILE BAR



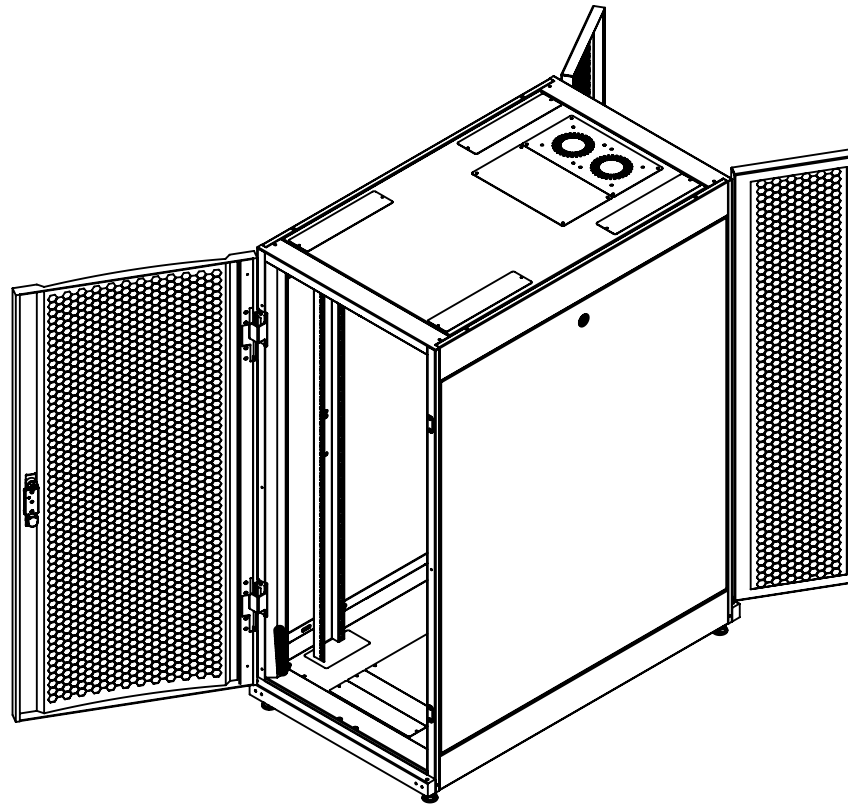
MOUNTING PROFILE



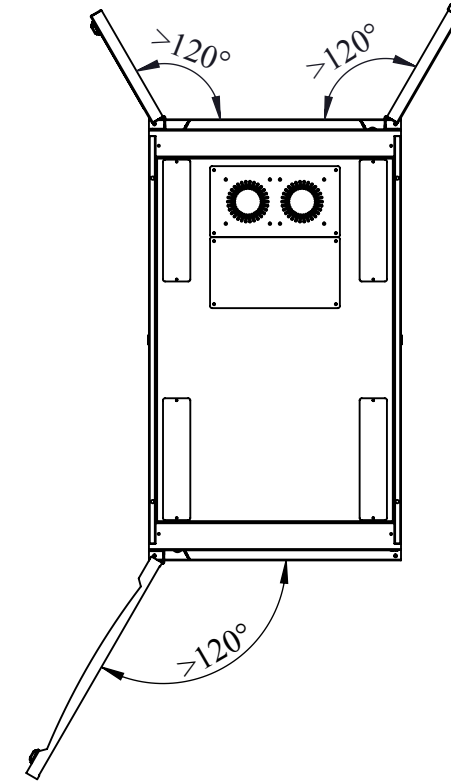
ANH MINH TECHNOLOGY COMPANY LIMITED-AMTEC CO.,LTD  
17/3, Binh Quoi A, Binh Chuan, Thuan An, Binh Duong, Viet Nam  
Tel: (84-650) 3612177 Fax: (84-650) 3612178  
Email: info@amtec.com.vn Web: www.amtec.com.vn

|                   |              |                       |                                      |                     |                 |              |  |  |                  |                   |               |      |                  |   |
|-------------------|--------------|-----------------------|--------------------------------------|---------------------|-----------------|--------------|--|--|------------------|-------------------|---------------|------|------------------|---|
| <b>Customer:</b>  | -            | <b>Drawing title:</b> | AMTEC SMART-NET CABINET 27U 600x1000 |                     | <b>Part No:</b> | AMS27-6100   |  |  |                  |                   |               |      |                  |   |
| <b>Design by:</b> | HUỖNH HỮU AN | <b>Date:</b>          |                                      | <b>Checked by:</b>  | LÊ HOÀNG TUẤN   | <b>Date:</b> |  |  | <b>Material:</b> | SPCC t=1.0 to 2.0 | <b>Scale:</b> | 1:16 | <b>Sheet No:</b> |   |
| <b>Drawn by:</b>  | HUỖNH HỮU AN | <b>Date:</b>          |                                      | <b>Approved by:</b> | PHAN QUANG ĐỨC  | <b>Date:</b> |  |  | <b>Qty/Job:</b>  | -                 | <b>Unit:</b>  | mm   |                  | 7 |
| <b>File name:</b> | -            |                       |                                      | <b>Drawing No:</b>  | 6               |              |  |  |                  |                   |               |      |                  |   |

# ISOMETRIC VIEW



# TOP VIEW



ANH MINH TECHNOLOGY COMPANY LIMITED-AMTEC CO.,LTD  
 17/3, Binh Quoi A, Binh Chuan, Thuan An, Binh Duong, Viet Nam  
 Tel: (84-650) 3612177 Fax: (84-650) 3612178  
 Email: info@amtec.com.vn Web: www.amtec.com.vn

|                   |              |                       |                                      |                     |                   |               |      |  |                  |
|-------------------|--------------|-----------------------|--------------------------------------|---------------------|-------------------|---------------|------|--|------------------|
| <b>Customer:</b>  | -            | <b>Drawing title:</b> | AMTEC SMART-NET CABINET 27U 600x1000 |                     | <b>Part No:</b>   | AMS27-6100    |      |  |                  |
| <b>Design by:</b> | HUỲNH HỮU AN | <b>Date:</b>          |                                      | <b>Checked by:</b>  | LÊ HOÀNG TUẤN     | <b>Date:</b>  |      |  | <b>Sheet No:</b> |
| <b>Drawn by:</b>  | HUỲNH HỮU AN | <b>Date:</b>          |                                      | <b>Approved by:</b> | PHAN QUANG ĐỨC    | <b>Date:</b>  |      |  |                  |
| <b>File name:</b> | -            |                       |                                      | <b>Material:</b>    | SPCC t=1.0 to 2.0 | <b>Scale:</b> | 1:18 |  |                  |
|                   |              |                       |                                      | <b>Qty/Job:</b>     | -                 | <b>Unit:</b>  | mm   |  |                  |
|                   |              |                       |                                      | <b>Drawing No:</b>  | 7                 |               |      |  |                  |