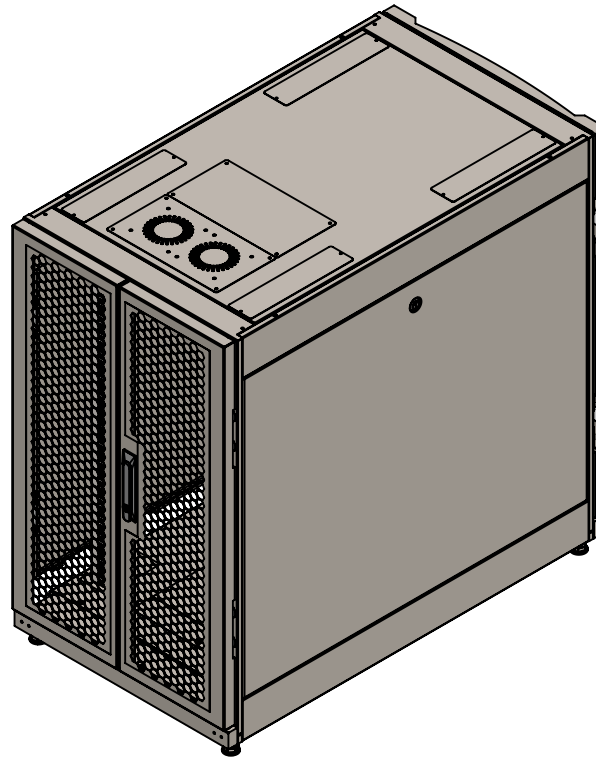
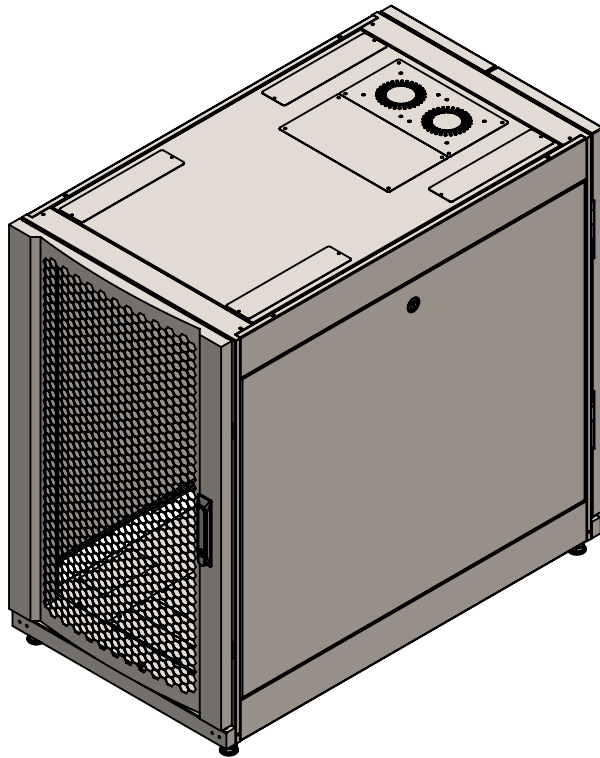


FRONT&RIGHT VIEW

REAR&LEFT VIEW



Specifications

1	Standard	- ISO 9001:2015 - ISO 14001:2015 - CE, EN/IEC 62368-1, RoHS - ANSI/EIA 310-D, phần A - DIN 41494 - BS5954 phần 2 - IEC 60297-1, IEC 60297-2 - IP20
2	Material	- Posso/JSVC Steel - SPCC/SD
3	Load capacity	. On 4 Casters 1200 kg. . On 4 Leveling feet 1500kg.
4	Color	Black
5	Air flow	Hexagon Perforated door >64%



ISO 9001:2015



ANH MINH TECHNOLOGY COMPANY LIMITED-AMTEC CO.,LTD
17/3, Binh Quoi A, Binh Chuan, Thuan An, Binh Duong, Viet Nam
Tel: (84-650) 3612177 Fax: (84-650) 3612178
Email: info@amtec.com.vn Web: www.amtec.com.vn

Customer:

-

Drawing title:

AMTEC SMART-NET CABINET 20U 600x1000

Part No:

AMS20-6100

Design by: HUỖNH HỮU AN

Date: 31-Jul-24

Checked by: LÊ HOÀNG TUẤN

Date: 31-Jul-24

Material: SPCC t=1.0 to 2.0

Scale: 1:15

Sheet No:

Drawn by: HUỖNH HỮU AN

Date: 31-Jul-24

Approved by: PHAN QUANG ĐỨC

Date: 31-Jul-24

Qty/Job:

-

Unit: mm

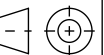
7

File name:

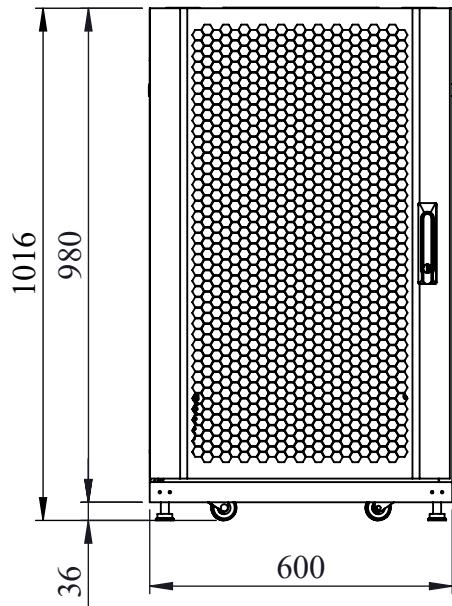
-

Drawing No:

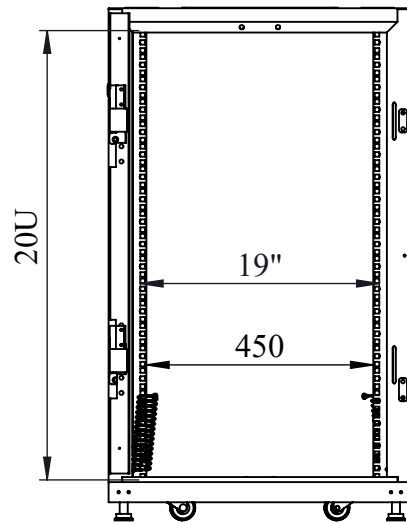
1



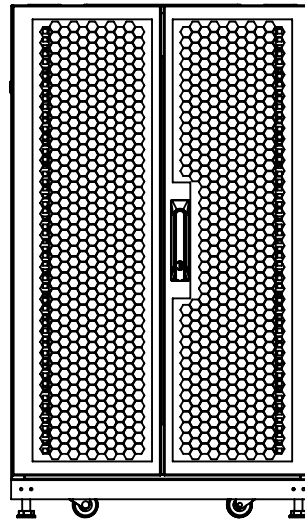
FRONT VIEW



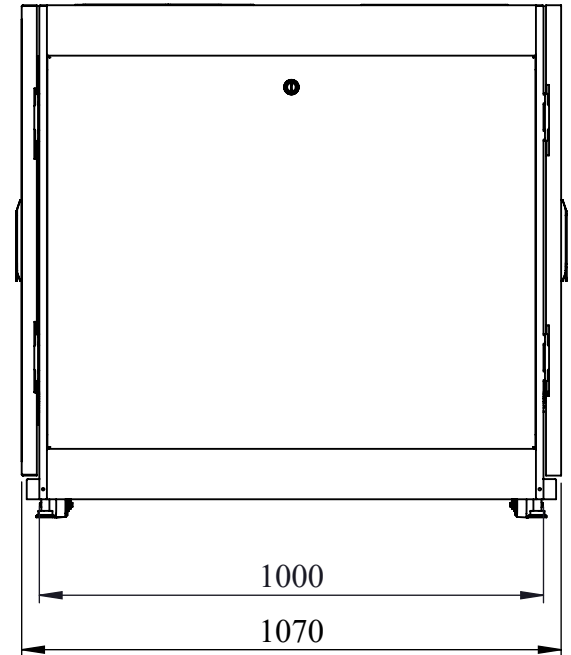
**FRONT VIEW
(REMOVED DOOR)**



REAR VIEW



SIDE VIEW

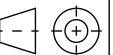


ANH MINH TECHNOLOGY COMPANY LIMITED-AMTEC CO.,LTD
 17/3, Binh Quoi A, Binh Chuan, Thuan An, Binh Duong, Viet Nam
 Tel: (84-650) 3612177 Fax: (84-650) 3612178
 Email: info@amtec.com.vn Web: www.amtec.com.vn

Customer: -
Design by: HUỖNH HỮU AN **Date:** 31-Jul-24
Drawn by: HUỖNH HỮU AN **Date:** 31-Jul-24
File name: -

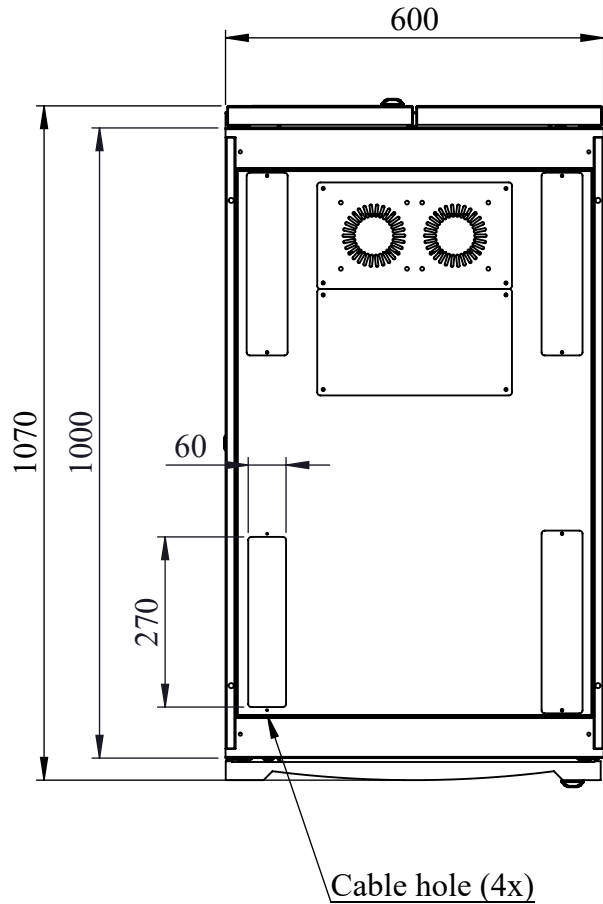
Drawing title: AMTEC SMART-NET CABINET 20U 600x1000
Checked by: LÊ HOÀNG TUẤN **Date:** 31-Jul-24
Approved by: PHAN QUANG ĐỨC **Date:** 31-Jul-24

Part No: AMS20-6100
Material: SPCC t=1.0 to 2.0 **Scale:** 1:15
Qty/Job: - **Unit:** mm
Drawing No: 3

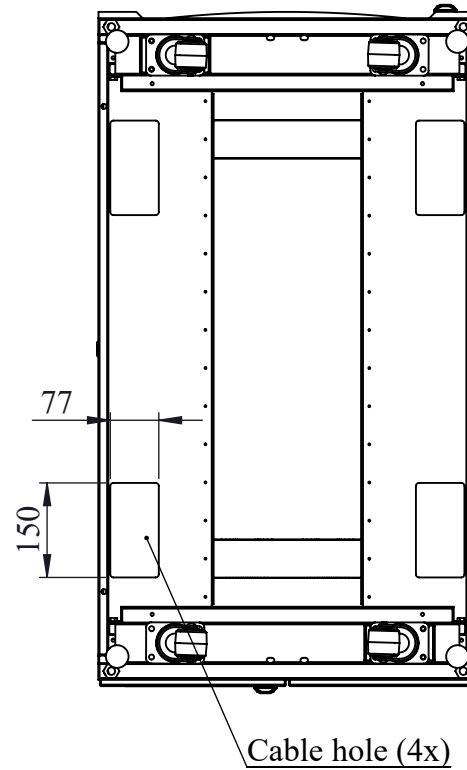


Sheet No: 7

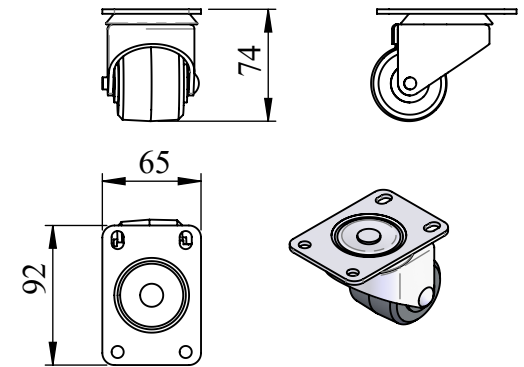
TOP VIEW



BOTTOM VIEW

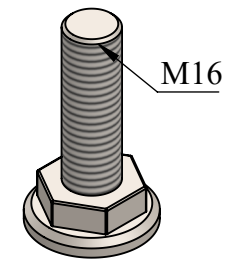


Caster



Max load 1200kg

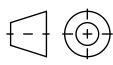
Level feet



Max load 1500kg



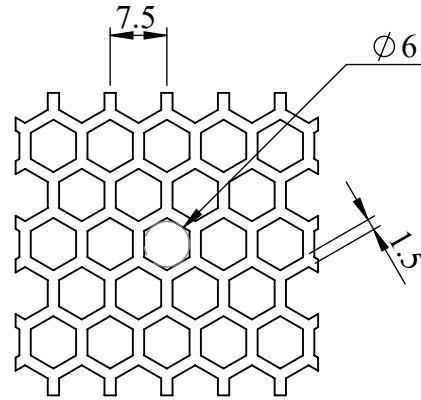
ANH MINH TECHNOLOGY COMPANY LIMITED-AMTEC CO.,LTD
 17/3, Binh Quoi A, Binh Chuan, Thuan An, Binh Duong, Viet Nam
 Tel: (84-650) 3612177 Fax: (84-650) 3612178
 Email: info@amtec.com.vn Web: www.amtec.com.vn

Customer:	-	Drawing title:	AMTEC SMART-NET CABINET 20U 600x1000		Part No:	AMS20-6100		 Sheet No: 7
Design by:	HUỖNH HỮU AN	Date:	31-Jul-24	Checked by:	LÊ HOÀNG TUẤN	Date:	31-Jul-24	
Drawn by:	HUỖNH HỮU AN	Date:	31-Jul-24	Approved by:	PHAN QUANG ĐỨC	Date:	31-Jul-24	
File name:	-			Material:	SPCC t=1.0 to 2.0	Scale:	1:12	
				Qty/Job:	-	Unit:	mm	
				Drawing No:	4			

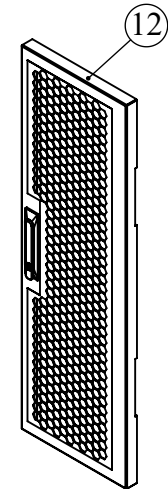
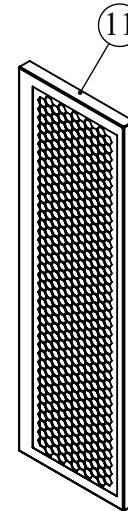
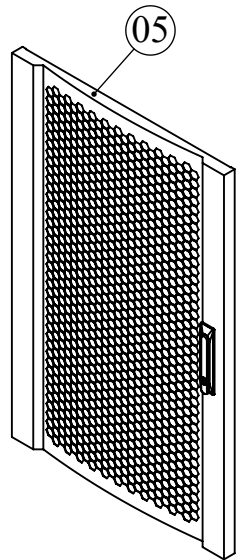
DETAIL ITEM:

FRONT DOOR

REAR DOOR



**DETAIL A: HEXAGON
>64% PERFORATED DOOR**



SWINGHANDLE KEY

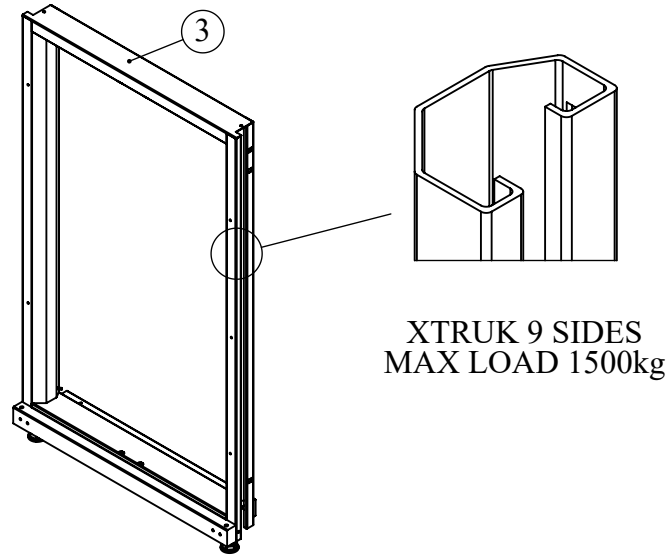


ANH MINH TECHNOLOGY COMPANY LIMITED-AMTEC CO.,LTD
 17/3, Binh Quoi A, Binh Chuan, Thuan An, Binh Duong, Viet Nam
 Tel: (84-650) 3612177 Fax: (84-650) 3612178
 Email: info@amtec.com.vn Web: www.amtec.com.vn

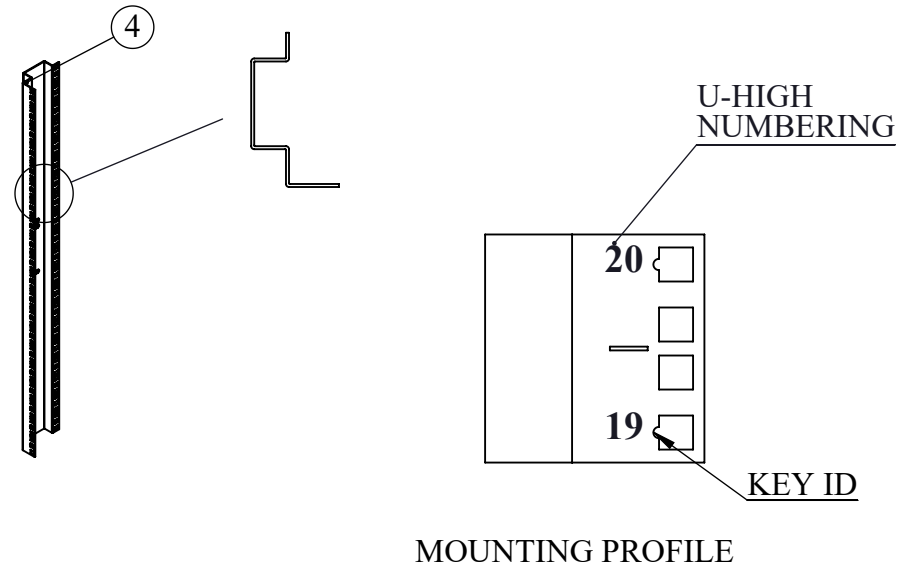
Customer:	-	Drawing title:	AMTEC SMART-NET CABINET 20U 600x1000		Part No:	AMS20-6100								
Design by:	HUỖNH HỮU AN	Date:	31-Jul-24	Checked by:	LÊ HOÀNG TUẤN	Date:	31-Jul-24		Material:	SPCC t=1.0 to 2.0	Scale:	1:15	Sheet No:	7
Drawn by:	HUỖNH HỮU AN	Date:	31-Jul-24	Approved by:	PHAN QUANG ĐỨC	Date:	31-Jul-24		Qty/Job:	-	Unit:	mm		
File name:	-			Drawing No:	5									

DETAIL ITEM:

FRAME



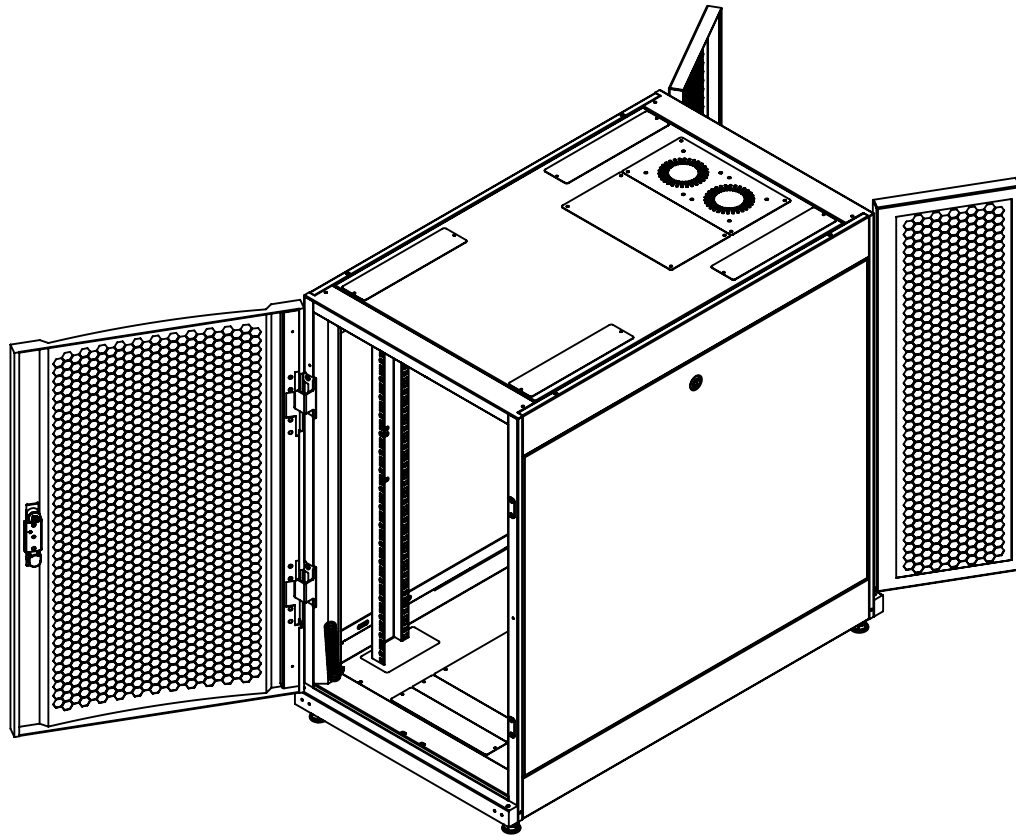
PROFILE BAR



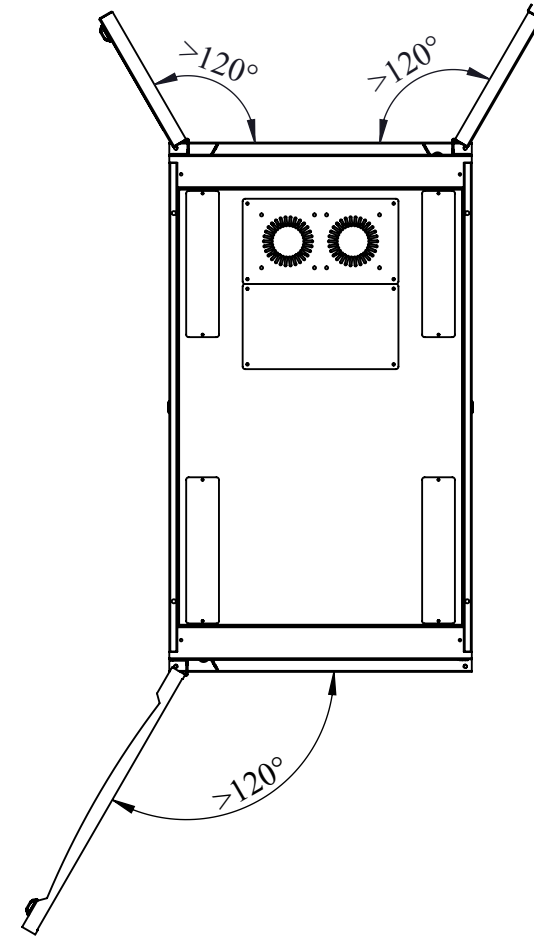
ANH MINH TECHNOLOGY COMPANY LIMITED-AMTEC CO.,LTD
 17/3, Binh Quoi A, Binh Chuan, Thuan An, Binh Duong, Viet Nam
 Tel: (84-650) 3612177 Fax: (84-650) 3612178
 Email: info@amtec.com.vn Web: www.amtec.com.vn

Customer:	-	Drawing title:	AMTEC SMART-NET CABINET 20U 600x1000		Part No:	AMS20-6100			Sheet No:				
Design by:	HUỖNH HỮU AN	Date:	31-Jul-24	Checked by:	LÊ HOÀNG TUẤN	Date:	31-Jul-24		Material:	SPCC t=1.0 to 2.0	Scale:	1:15	7
Drawn by:	HUỖNH HỮU AN	Date:	31-Jul-24	Approved by:	PHAN QUANG ĐỨC	Date:	31-Jul-24		Qty/Job:	-	Unit:	mm	
File name:	-			Drawing No:	6								

ISOMETRIC VIEW



TOP VIEW



ANH MINH TECHNOLOGY COMPANY LIMITED-AMTEC CO.,LTD
 17/3, Binh Quoi A, Binh Chuan, Thuan An, Binh Duong, Viet Nam
 Tel: (84-650) 3612177 Fax: (84-650) 3612178
 Email: info@amtec.com.vn Web: www.amtec.com.vn

Customer:	-	Drawing title:	AMTEC SMART-NET CABINET 20U 600x1000		Part No:	AMS20-6100								
Design by:	HUỖNH HỮU AN	Date:	31-Jul-24	Checked by:	LÊ HOÀNG TUẤN	Date:	31-Jul-24		Material:	SPCC t=1.0 to 2.0	Scale:	1:15	Sheet No:	7
Drawn by:	HUỖNH HỮU AN	Date:	31-Jul-24	Approved by:	PHAN QUANG ĐỨC	Date:	31-Jul-24		Qty/Job:	-	Unit:	mm		
File name:	-			Drawing No:	7									