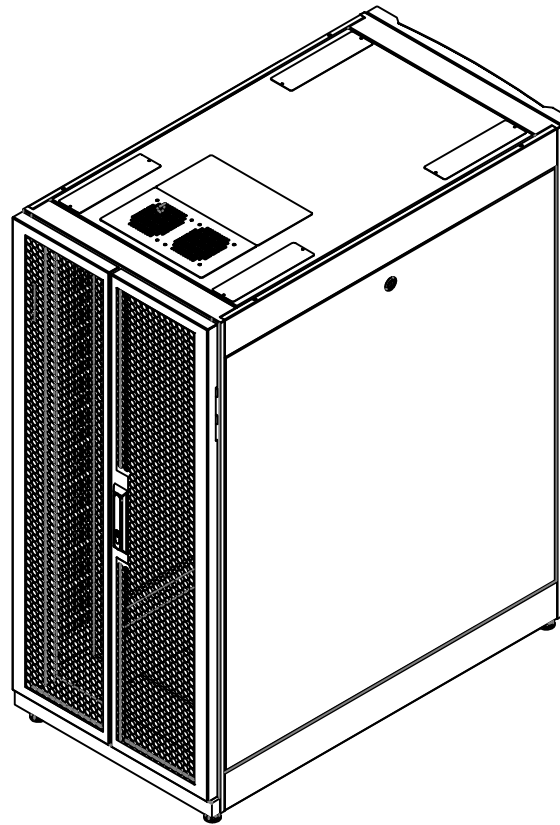
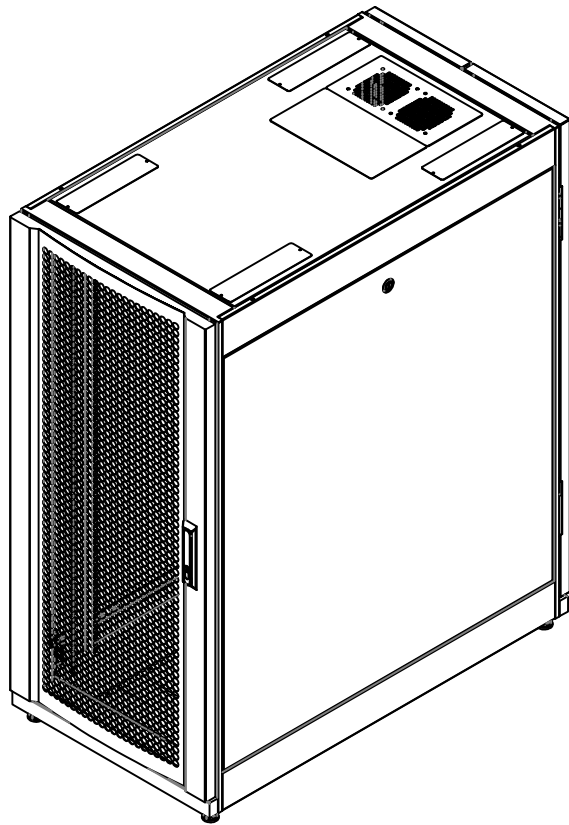


# FRONT&RIGHT VIEW

# REAR&LEFT VIEW

①



### Thông số kỹ thuật:

1	<b>Các tiêu chuẩn</b>	<ul style="list-style-type: none"> <li>. ANSI/EIA 310-D, phần A</li> <li>. DIN 41494.</li> <li>. BS 5954 phần 2.</li> <li>. IEC 60297-1, IEC 60297-2</li> <li>. RoHS.</li> <li>. IP20.</li> </ul>
2	<b>Độ dày thép</b>	<ul style="list-style-type: none"> <li>. Khung 2mm.</li> <li>. Thanh treo thiết bị 2mm.</li> <li>. Cửa trước và sau 1.2mm.</li> <li>. Cửa hông 1mm.</li> <li>. Đế che 1.5mm</li> <li>. Thanh nối khung trước&amp;sau 2mm.</li> </ul>
3	<b>Tải trọng</b>	<ul style="list-style-type: none"> <li>. Trên các bánh xe 1000 kg.</li> <li>. Trên các chân đế 1350 kg.</li> <li>. Tải trọng trên nóc 80 kg.</li> <li>. Tải trọng trên đế 80 kg.</li> </ul>
4	<b>Màu sơn</b>	Sơn tĩnh điện màu đen
5	<b>Độ thông thoáng</b>	Cửa lưới lục giác trước&sau thông thoáng >64%



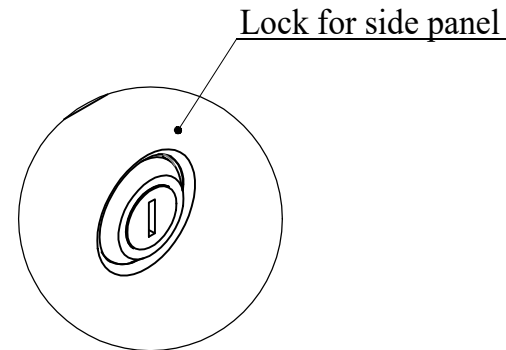
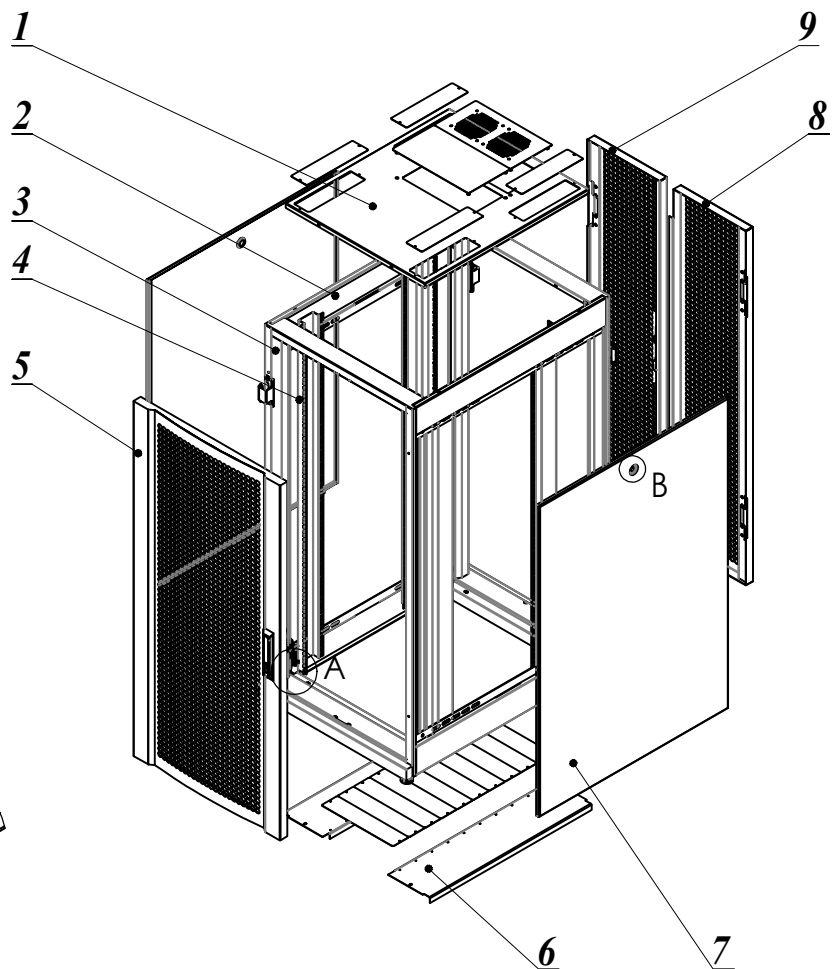
ANH MINH TECHNOLOGY COMPANY LIMITED-AMTEC CO.,LTD  
 17/3, Binh Quoi A, Binh Chuan, Thuan An, Binh Duong, Viet Nam  
 Tel: (84-274) 3612177 Fax: (84-274) 3612178  
 Email: info@amtec.com.vn Web: www.amtec.com.vn

<b>Customer:</b>	<b>Drawing title:</b>	<b>Part No:</b>	
	AMTEC SMART- NET CABINET 15U 600x1000	AMS15-6100	
<b>Design by:</b> Nguyễn Xuân Hùng <b>Date:</b> 06-03-2019	<b>Checked by:</b> Lê Hoàng Tuấn <b>Date:</b> 06-03-2019	<b>Material:</b> SPCC $\neq$ 1 to 2 <b>Scale:</b> 1:15	
<b>Drawn by:</b> Nguyễn Xuân Hùng <b>Date:</b> 06-03-2019	<b>Approved by:</b> Phan Quang Đức <b>Date:</b> 06-03-2019	<b>Qty/Job:</b> - <b>Unit:</b> mm	
<b>File name:</b>	-	<b>Drawing No:</b> 01	

**Sheet No:**  
07

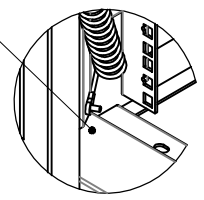
# EXPLODE VIEW

②



DETAIL B  
SCALE 1 : 2

Grounding Position  
(1 Front door,  
2 Rear door)

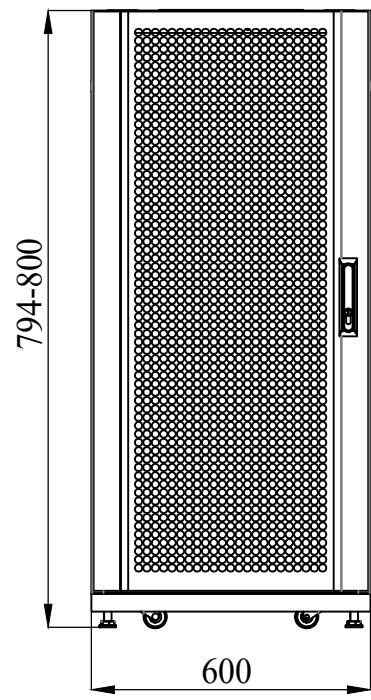


DETAIL A  
SCALE 1 : 5

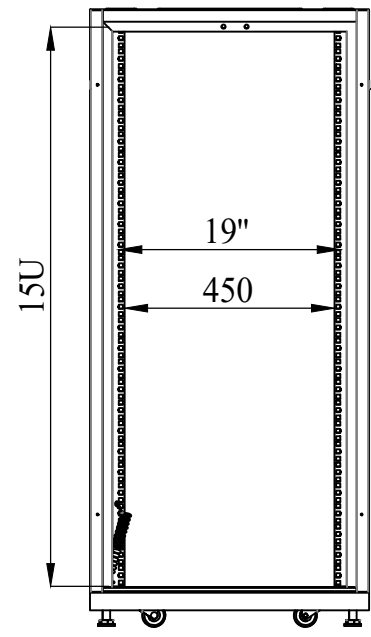
9	Rear door right	1	1.2	>64% perforated
8	Rear door left	1	1.2	>64% perforated
7	Side door	2	1.0	
6	Base	2	1.5	
5	Front door	1	1.2	>64% perforated
4	Profile bar	4	2.0	
3	Frame	4	2.0	
2	Support bar	4	2.0	
1	Top roof	1	1.2	
Item	Name	Q'TY	Thick	Description

<p>ANH MINH TECHNOLOGY COMPANY LIMITED-AMTEC CO.,LTD 17/3, Binh Quoi A, Binh Chuan, Thuan An, Binh Duong, Viet Nam Tel: (84-274) 3612177 Fax: (84-274) 3612178 Email: info@amtec.com.vn Web: www.amtec.com.vn</p>	Customer:	Drawing title:	Part No:			
		AMTEC SMART- NET CABINET 15U 600x1000	AMS15-6100			
	Design by: Nguyễn Xuân Hùng Date: 06-03-2019	Checked by: Lê Hoàng Tuấn Date: 06-03-2019	Material: SPCC t= 1 to 2		Scale: 1:20	Sheet No:
	Drawn by: Nguyễn Xuân Hùng Date: 06-03-2019	Approved by: Phan Quang Đức Date: 06-03-2019	Qty/Job: -		Unit: mm	07
File name:	-	Drawing No:	02			

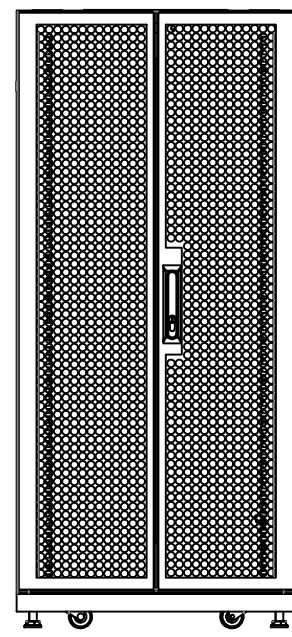
**FRONT VIEW**



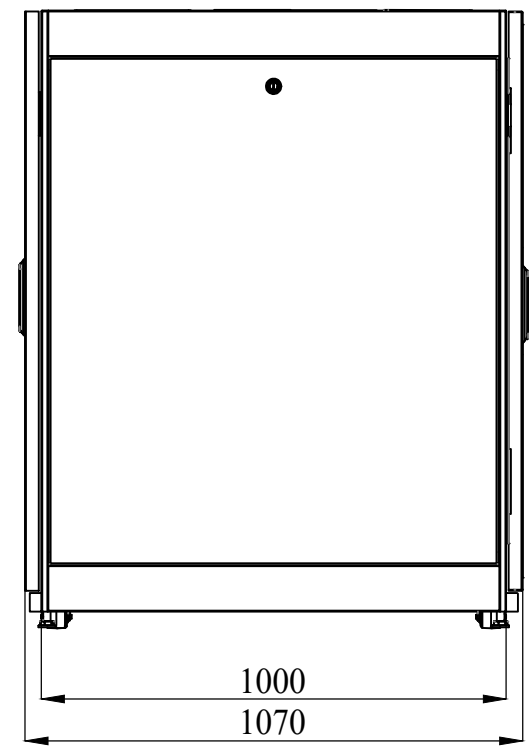
**FRONT VIEW  
(REMOVED DOOR)**



**REAR VIEW**



**SIDE VIEW**



ANH MINH TECHNOLOGY COMPANY LIMITED-AMTEC CO.,LTD  
 17/3, Binh Quoi A, Binh Chuan, Thuan An, Binh Duong, Viet Nam  
 Tel: (84-274) 3612177 Fax: (84-274) 3612178  
 Email: info@amtec.com.vn Web: www.amtec.com.vn

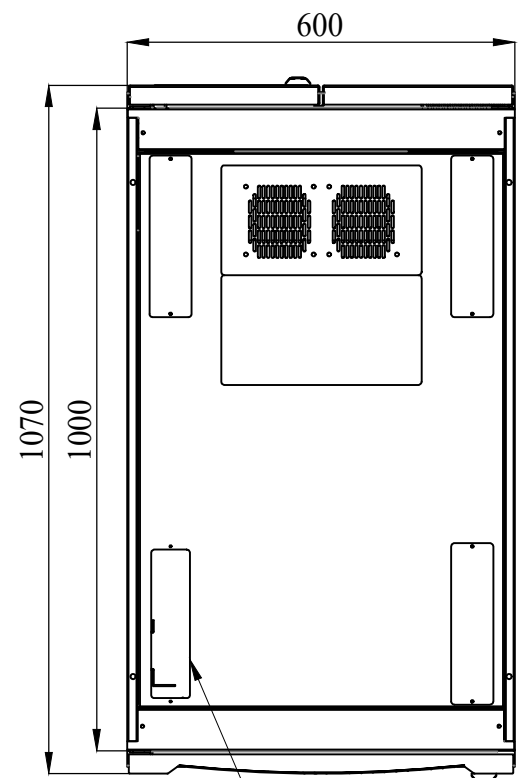
**Customer:**  
  
**Design by:** Nguyễn Xuân Hùng **Date:** 06-03-2019  
**Drawn by:** Nguyễn Xuân Hùng **Date:** 06-03-2019  
**File name:** -

**Drawing title:**  
 AMTEC SMART- NET CABINET  
 15U 600x1000  
**Checked by:** Lê Hoàng Tuấn **Date:** 06-03-2019  
**Approved by:** Phan Quang Đức **Date:** 06-03-2019

**Part No:**  
 AMS15-6100  
**Material:** SPCC t=1.0 2 **Scale:** 1:15  
**Qty/Job:** - **Unit:** mm  
**Drawing No:** 03

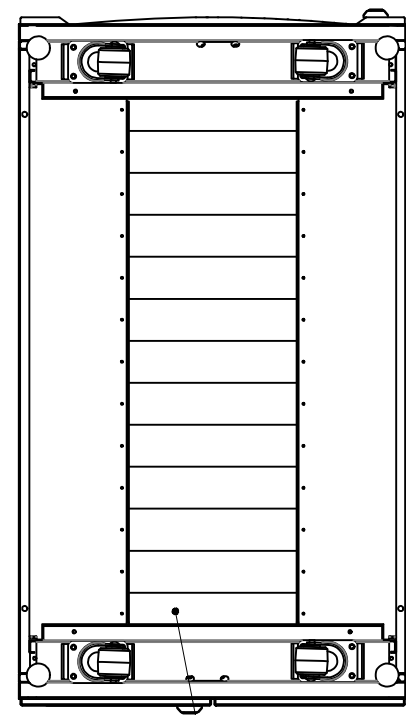
Sheet No:  
07

TOP VIEW

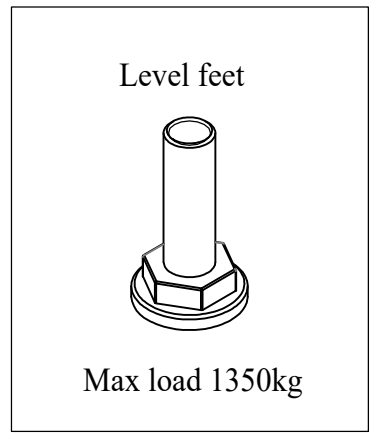
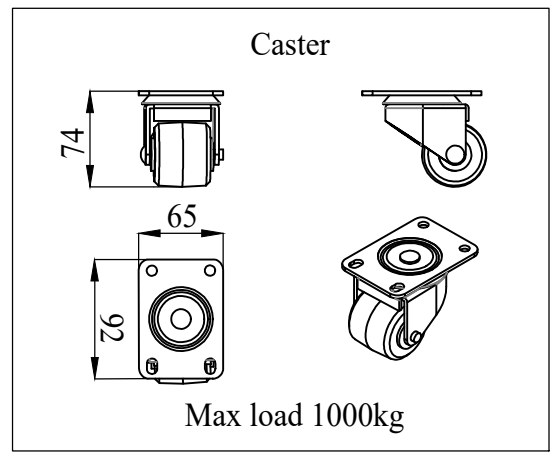


Cable hole 60x240(4x)

BOTTOM VIEW



Cable hole 60x270

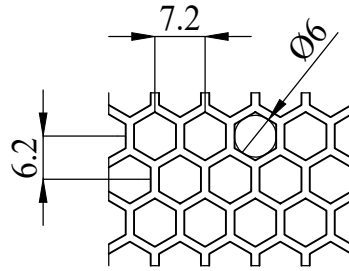
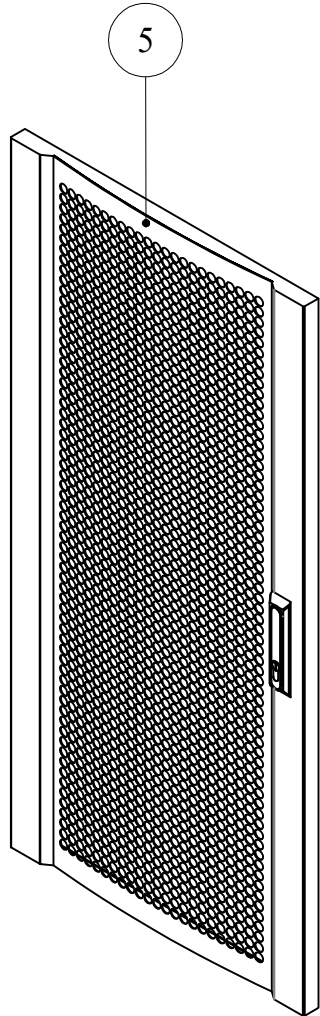


ANH MINH TECHNOLOGY COMPANY LIMITED-AMTEC CO.,LTD  
 17/3, Binh Quoi A, Binh Chuan, Thuan An, Binh Duong, Viet Nam  
 Tel: (84-274) 3612177 Fax: (84-274) 3612178  
 Email: info@amtec.com.vn Web: www.amtec.com.vn

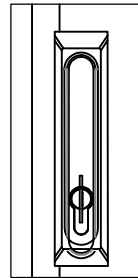
<b>Customer:</b>	<b>Drawing title:</b> AMTEC SMART- NET CABINET 15U 600x1000	<b>Part No:</b> AMS15-6100			
<b>Design by:</b> Nguyễn Xuân Hùng <b>Date:</b> 06-03-2019	<b>Checked by:</b> Lê Hoàng Tuấn <b>Date:</b> 06-03-2019	<b>Material:</b> SPCC t=1 to 2	<b>Scale:</b> 1:10		<b>Sheet No:</b> 07
<b>Drawn by:</b> Nguyễn Xuân Hùng <b>Date:</b> 06-03-2019	<b>Approved by:</b> Phan Quang Đức <b>Date:</b> 06-03-2019	<b>Qty/Job:</b> -	<b>Unit:</b> mm		
<b>File name:</b>	-	<b>Drawing No:</b> 04			

# DETAIL ITEM: 5-8-9

5

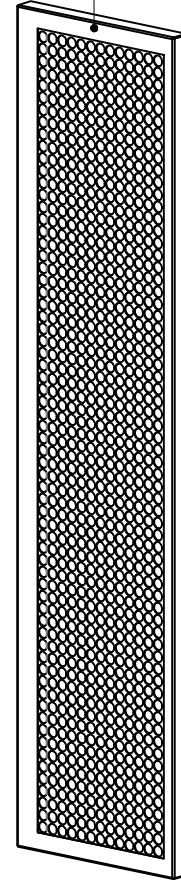


>64% HEXAGON PERFORATED DOOR

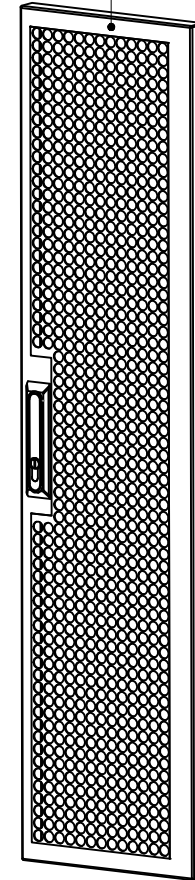


SWINGHANDLE KEY

8



9



ANH MINH TECHNOLOGY COMPANY LIMITED-AMTEC CO.,LTD  
 17/3, Binh Quoi A, Binh Chuan, Thuan An, Binh Duong, Viet Nam  
 Tel: (84-274) 3612177 Fax: (84-274) 3612178  
 Email: info@amtec.com.vn Web: www.amtec.com.vn

<b>Customer:</b>		<b>Drawing title:</b> AMTEC SMART- NET CABINET 15U 600x1000	
<b>Design by:</b> Nguyễn Xuân Hùng	<b>Date:</b> 06-03-2019	<b>Checked by:</b> Lê Hoàng Tuấn	<b>Date:</b> 06-03-2019
<b>Drawn by:</b> Nguyễn Xuân Hùng	<b>Date:</b> 06-03-2019	<b>Approved by:</b> Phan Quang Đức	<b>Date:</b> 06-03-2019
<b>File name:</b>		-	

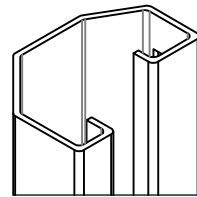
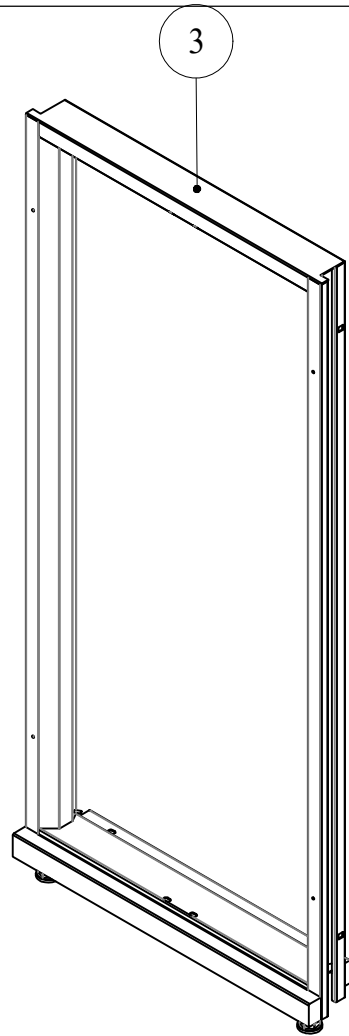
<b>Part No:</b> AMS15-6100	
<b>Material:</b> SPCC t=1 to 2	<b>Scale:</b> 1:15
<b>Qty/Job:</b> -	<b>Unit:</b> mm
<b>Drawing No:</b> 05	

<b>Sheet No:</b> 07	
------------------------	--



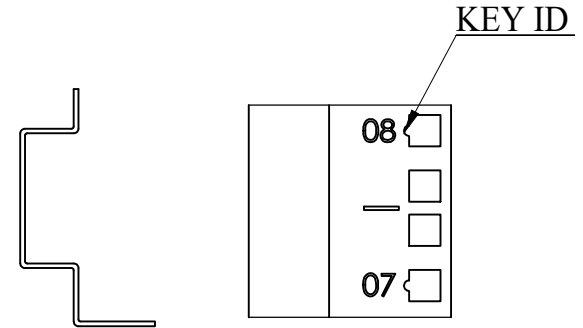
# DETAIL ITEM: 3-4

6



XTRUK 9 SIDES  
MAX LOAD 1350kg

4



MOUNTING PROFILE  
WITH KEY ID&U-HIGH  
NUMBERING



ANH MINH TECHNOLOGY COMPANY LIMITED-AMTEC CO.,LTD  
17/3, Binh Quoi A, Binh Chuan, Thuan An, Binh Duong, Viet Nam  
Tel: (84-274) 3612177 Fax: (84-274) 3612178  
Email: info@amtec.com.vn Web: www.amtec.com.vn

**Customer:**  
**Design by:** Nguyễn Xuân Hùng **Date:** 06-03-2019  
**Drawn by:** Nguyễn Xuân Hùng **Date:** 06-03-2019  
**File name:** -

**Drawing title:**  
AMTEC SMART- NET CABINET  
15U 600x1000  
**Checked by:** Lê Hoàng Tuấn **Date:** 06-03-2019  
**Approved by:** Phan Quang Đức **Date:** 06-03-2019

**Part No:**  
AMS15-6100  
**Material:** SPCC t=1 to 2  
**Scale:** 1:15  
**Qty/Job:** -  
**Unit:** mm  
**Drawing No:** 06

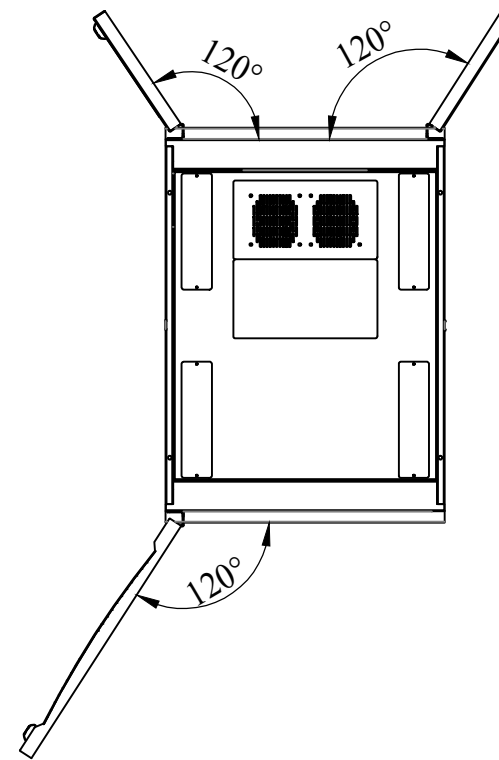
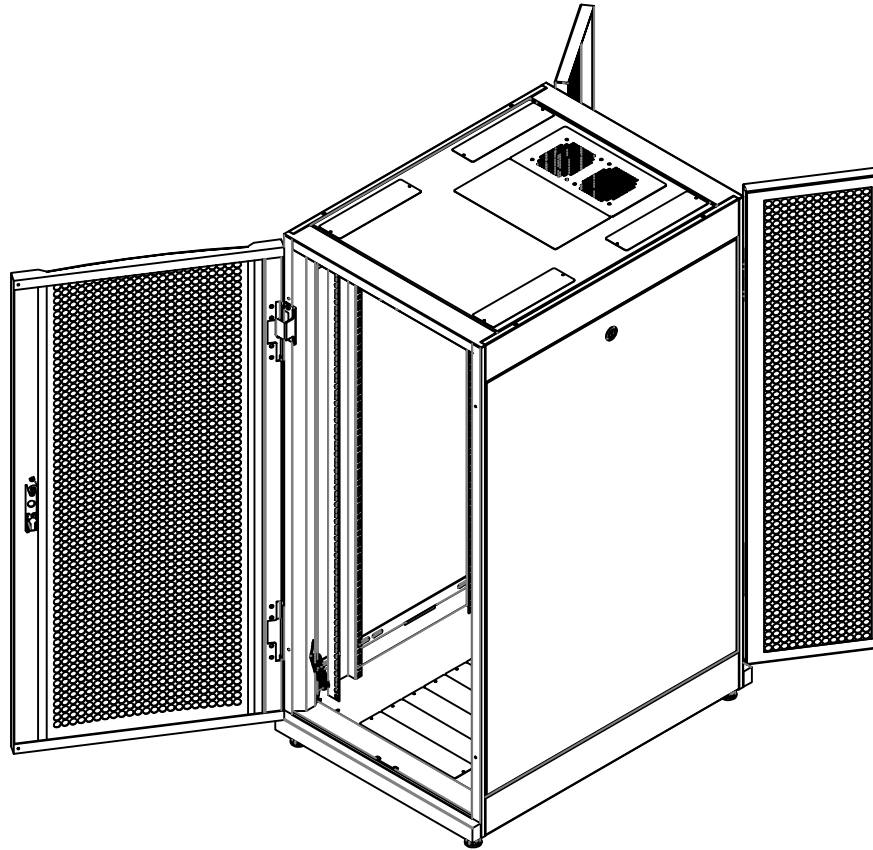


**Sheet No:**  
07

# ISOMETRIC VIEW

# TOP VIEW

7



ANH MINH TECHNOLOGY COMPANY LIMITED-AMTEC CO.,LTD  
 17/3, Binh Quoi A, Binh Chuan, Thuan An, Binh Duong, Viet Nam  
 Tel: (84-274) 3612177 Fax: (84-274) 3612178  
 Email: info@amtec.com.vn Web: www.amtec.com.vn

Customer:

Drawing title:  
 AMTEC SMART- NET CABINET  
 15U 600x1000

Part No:  
 AMS15-6100



Design by: Nguyễn Xuân Hùng Date: 06-03-2019

Checked by: Lê Hoàng Tuấn Date: 06-03-2019

Material: SPCC t=1 to 2 Scale: 1:10

Sheet No:

Drawn by: Nguyễn Xuân Hùng Date: 06-03-2019

Approved by: Phan Quang Đức Date: 06-03-2019

Qty/Job: - Unit: mm

07

File name: -

Drawing No: 07