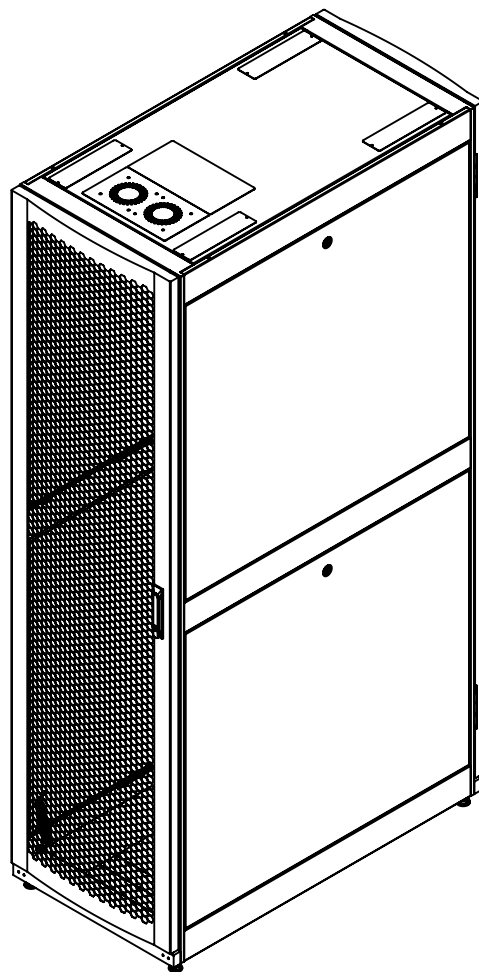
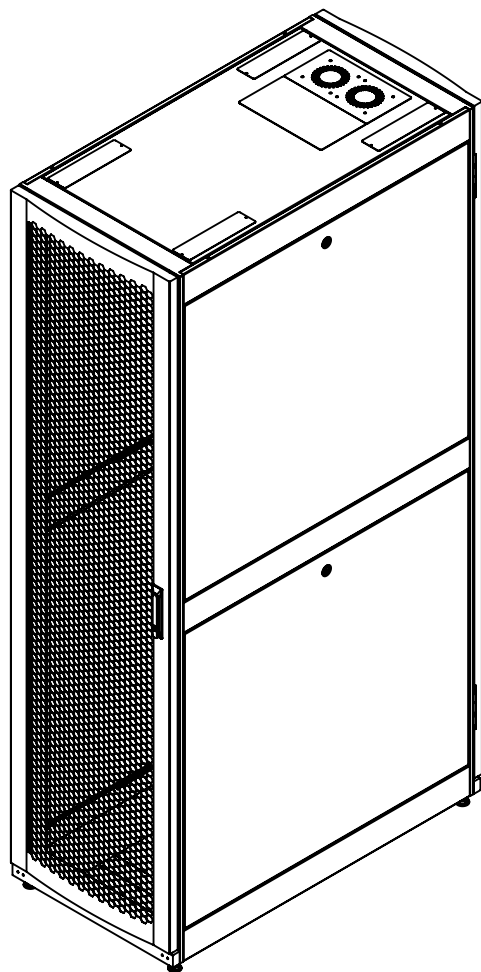


FRONT&RIGHT VIEW

REAR&LEFT VIEW



Thông số kỹ thuật:

1	Các tiêu chuẩn	<ul style="list-style-type: none"> . ISO 9001:2015 . ISO 14001:2015 . EN/IEC 62368-1, RoHS . ANSI/EIA 310-D, phần A . DIN 41494 . BS5954 phần 2 . IEC 60297-1, IEC 60297-2 . IP20
2	Vật liệu	<ul style="list-style-type: none"> - Thép Posso/JSVC - Loại SPCC
3	Tải trọng	<ul style="list-style-type: none"> . Trên các bánh xe 1000 kg. . Trên các chân đế 1350 kg.
4	Độ thông thoáng	Cửa lưới lọc góc trước&sau thông thoáng >65%
5	Màu sơn	Sơn tĩnh điện màu đen, chống bám bụi



ANH MINH TECHNOLOGY COMPANY LIMITED-AMTEC CO.,LTD
 17/3, Binh Quoi A, Binh Chuan, Thuan An, Binh Duong, Viet Nam
 Tel: (84-650) 3612177 Fax: (84-650) 3612178
 Email: info@amtec.com.vn Web: www.amtec.com.vn

Customer: -

Design by: HUỲNH HỮU AN **Date:** -

Drawn by: HUỲNH HỮU AN **Date:** -

File name: -

Drawing title: AMRACK CABINET 48U 600x1100

Checked by: LÊ HOÀNG TUẤN **Date:** -

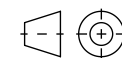
Approved by: PHAN QUANG ĐỨC **Date:** -

Part No: AMR48-6110

Material: SPCC t=1.0 to 2.0 **Scale:** 1:20

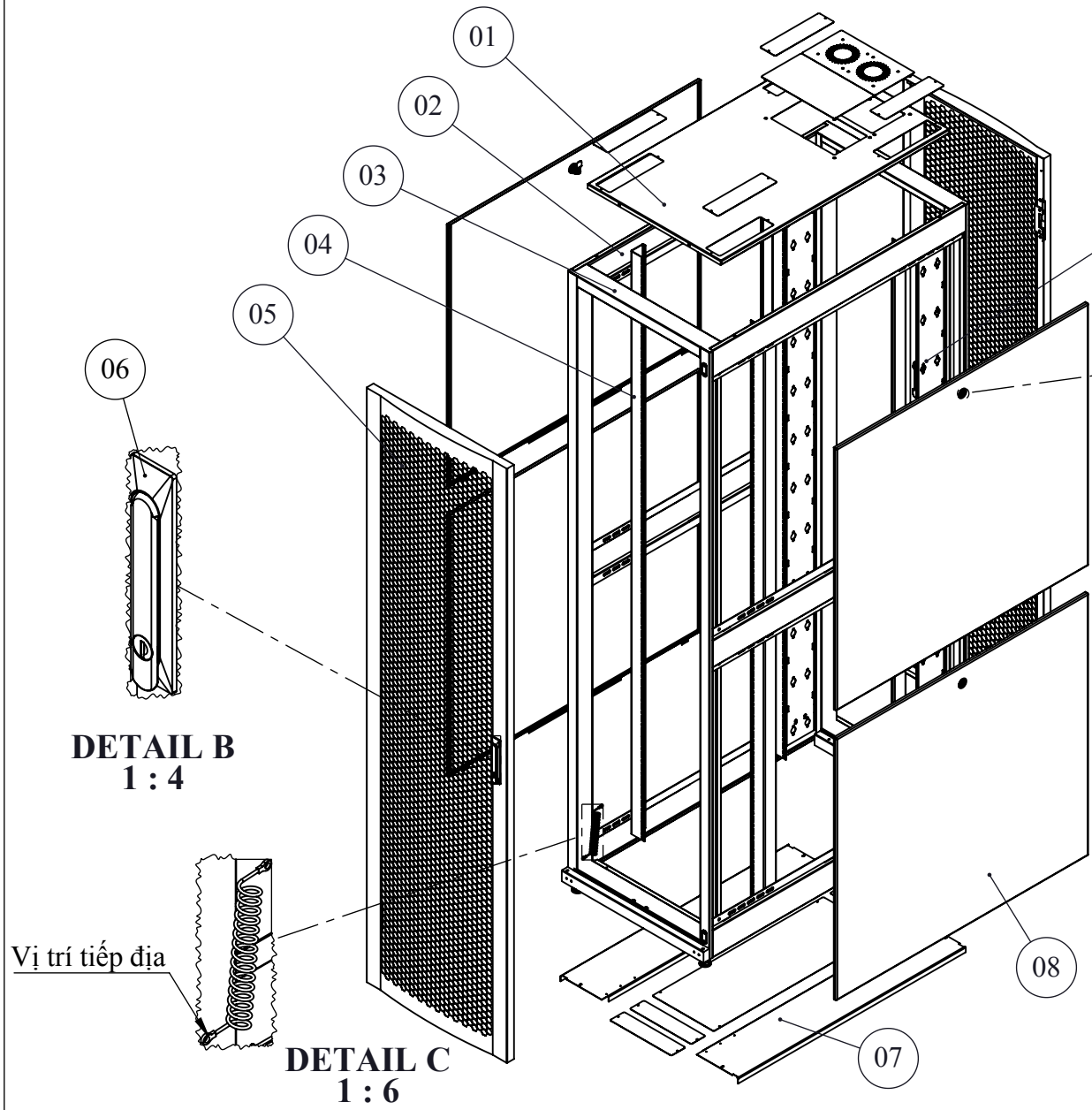
Qty/Job: - **Unit:** mm

Drawing No: 1



Sheet No: 7

EXPLODE VIEW

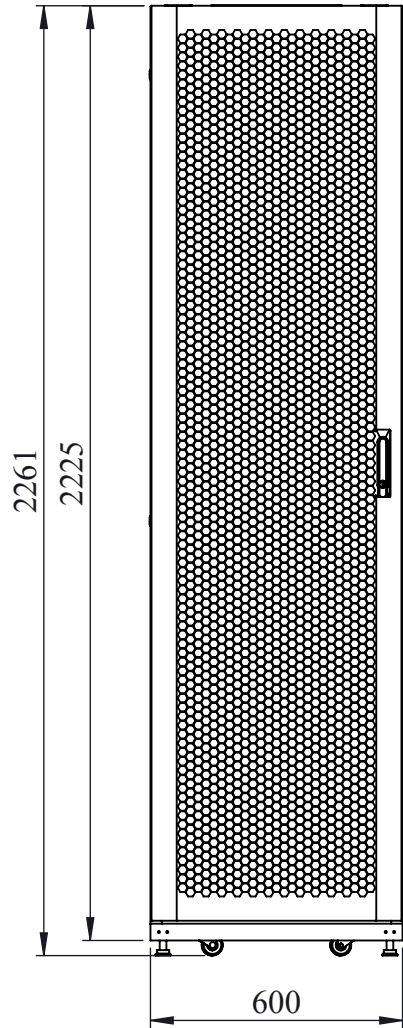


Item	Name	Q'Ty	Thick	Description
01	Nóc	1	1.0	
02	Thanh ngang	6	1.5	
03	Khung	2	1.5	
04	Thanh lắp thiết bị	4	2.0	
05	Cửa trước&sau	2	1.0	>65% perforated
06	Khóa cửa trước&Sau	2		
07	Đế	2	1.0	
08	Cửa hông	4	1.0	
09	Khóa cửa hông	4		
10	Thanh lắp PDU	2	1.0	Up to 4 PDU

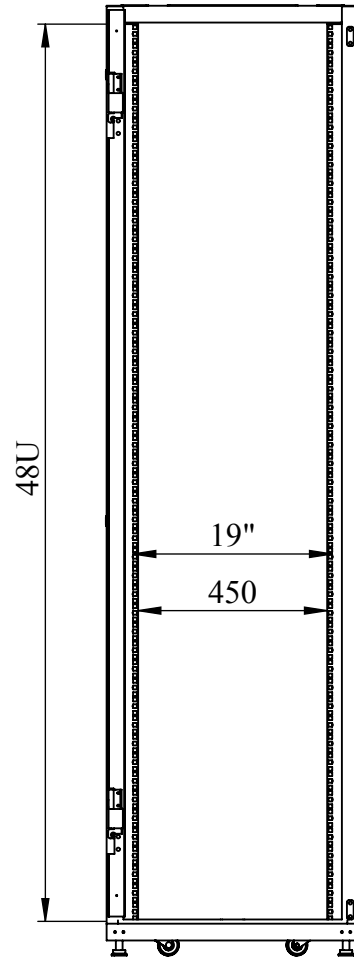
amtec
 ANH MINH TECHNOLOGY COMPANY LIMITED-AMTEC CO.,LTD
 17/3, Binh Quoi A, Binh Chuan, Thuan An, Binh Duong, Viet Nam
 Tel: (84-650) 3612177 Fax: (84-650) 3612178
 Email: info@amtec.com.vn Web: www.amtec.com.vn

Customer:	-	Drawing title:	AMRACK CABINET 48U 600x1100	Part No:	AMR48-6110		
Design by: HUỖNH HỮU ẮN	Date:	Checked by: LÊ HOÀNG TUẤN	Date:	Material: SPCC t=1.0 to 2.0	Scale: 1:20		Sheet No:
Drawn by: HUỖNH HỮU ẮN	Date:	Approved by: PHAN QUANG ĐỨC	Date:	Qty/Job: -	Unit: mm		7
File name:	-	Drawing No:	2				

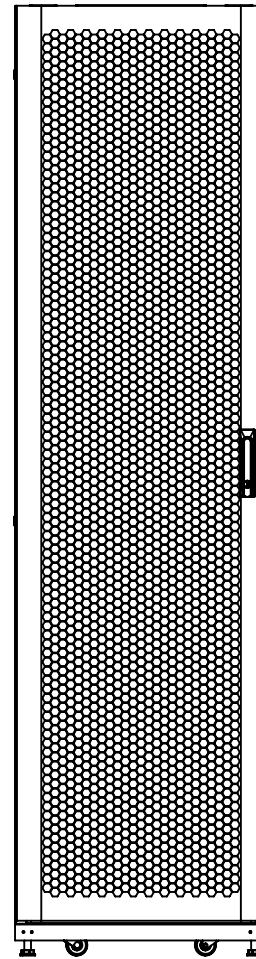
FRONT VIEW



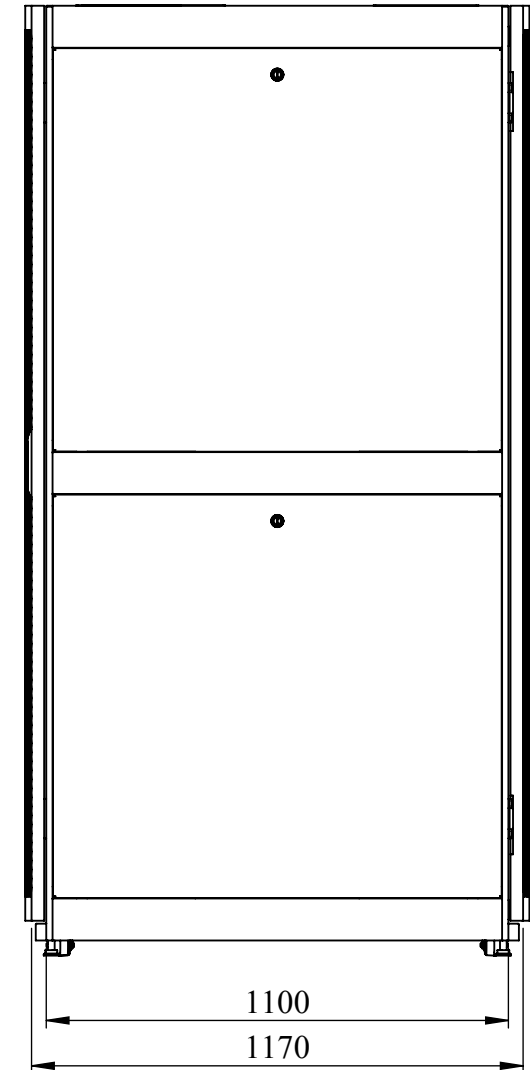
**FRONT VIEW
(REMOVED DOOR)**



BACK VIEW



SIDE VIEW

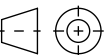


ANH MINH TECHNOLOGY COMPANY LIMITED-AMTEC CO.,LTD
 17/3, Binh Quoi A, Binh Chuan, Thuan An, Binh Duong, Viet Nam
 Tel: (84-650) 3612177 Fax: (84-650) 3612178
 Email: info@amtec.com.vn Web: www.amtec.com.vn

Customer: -
Design by: HUỖNH HỮU ẮN **Date:** -
Drawn by: HUỖNH HỮU ẮN **Date:** -
File name: -

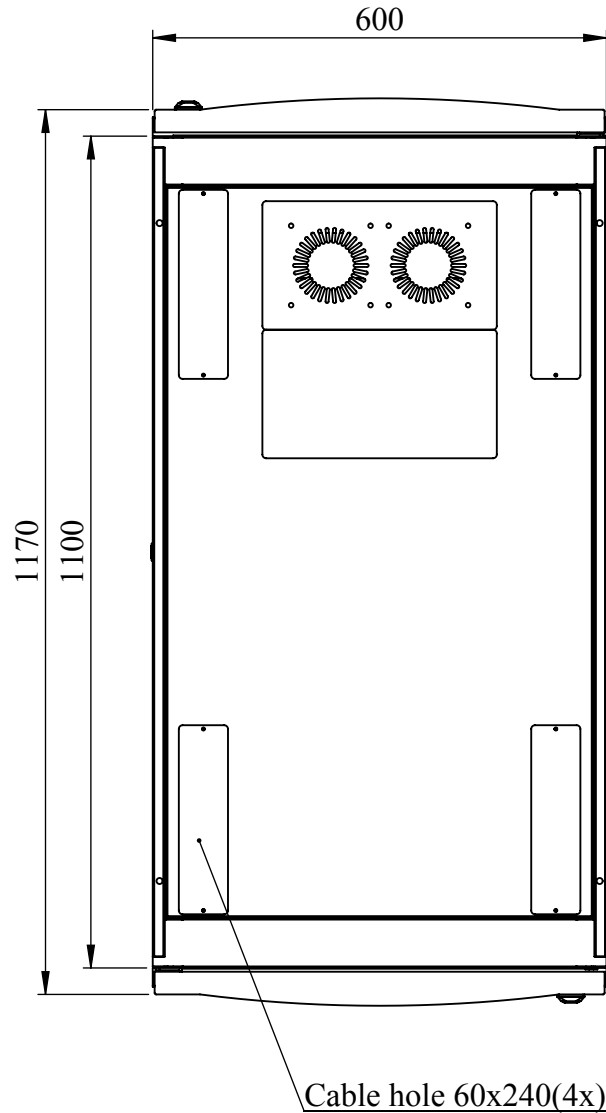
Drawing title: AMRACK CABINET 48U 600x1100
Checked by: LÊ HOÀNG TUẤN **Date:** -
Approved by: PHAN QUANG ĐỨC **Date:** -

Part No: AMR48-6110
Material: SPCC t=1.0 to 2.0 **Scale:** 1:18
Qty/Job: - **Unit:** mm
Drawing No: 3

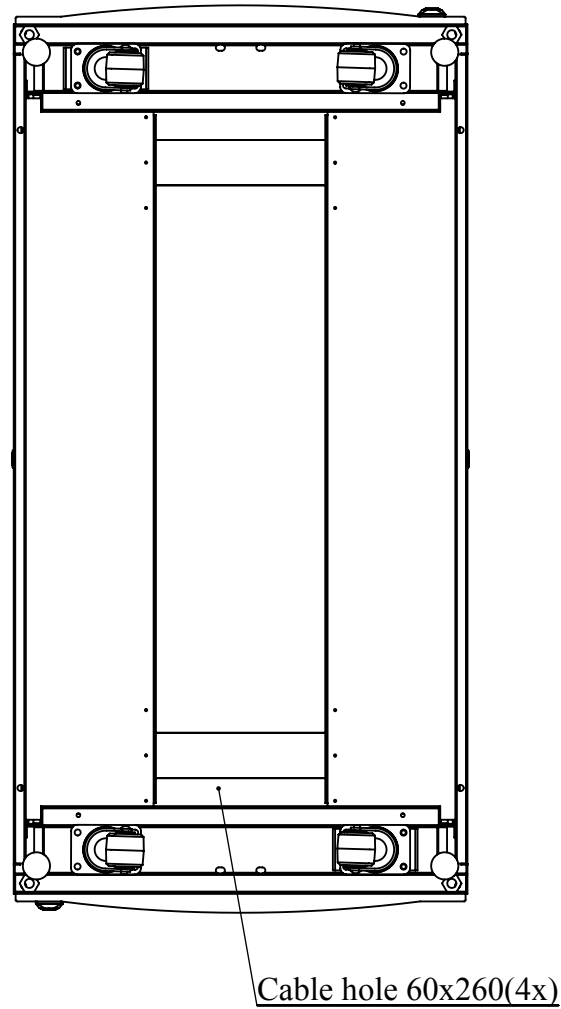


Sheet No: 7

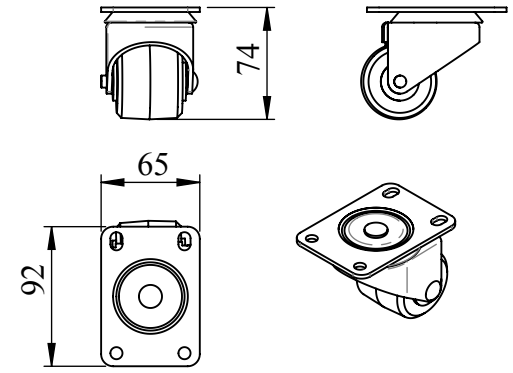
TOP VIEW



BOTTOM VIEW

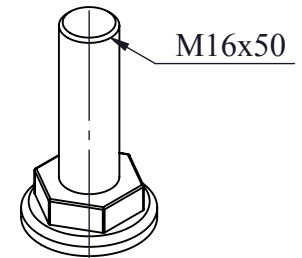


Caster



Max load 1000kg

Level feet



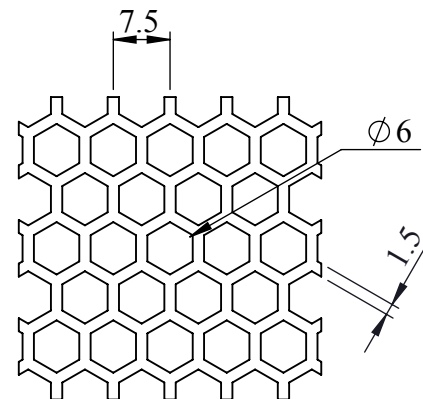
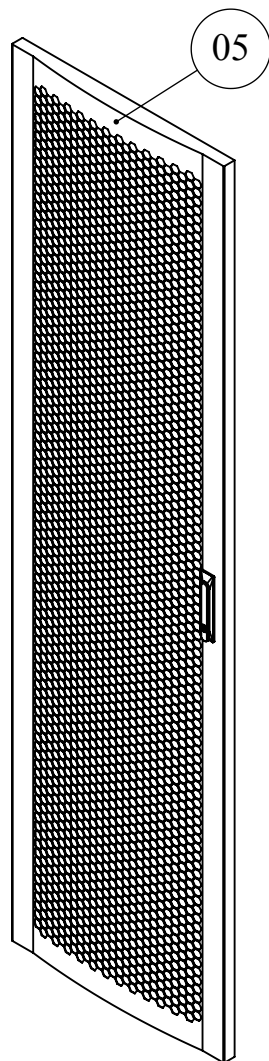
Max load 1350kg



ANH MINH TECHNOLOGY COMPANY LIMITED-AMTEC CO.,LTD
 17/3, Binh Quoi A, Binh Chuan, Thuan An, Binh Duong, Viet Nam
 Tel: (84-650) 3612177 Fax: (84-650) 3612178
 Email: info@amtec.com.vn Web: www.amtec.com.vn

Customer:	-	Drawing title:	AMRACK CABINET 48U 600x1100	Part No:	AMR48-6110	<p>Sheet No: 7</p>	
Design by:	HUỖNH HỮU AN	Date:		Material:	SPCC t=1.0 to 2.0		
Drawn by:	HUỖNH HỮU AN	Date:		Checked by:	LÊ HOÀNG TUẤN		
File name:	-	Date:		Approved by:	PHAN QUANG ĐỨC		
				Qty/Job:	-	Scale:	1:50
				Unit:	mm	Drawing No:	4

DETAIL ITEM:



DETAIL A: HEXAGON
>65% PERFORATED DOOR



SWINGHANDLE KEY

FONT DOOR - REAR DOOR

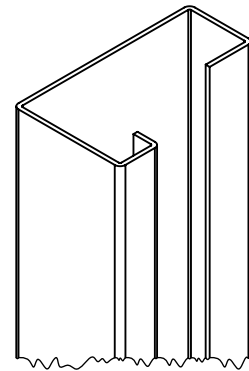
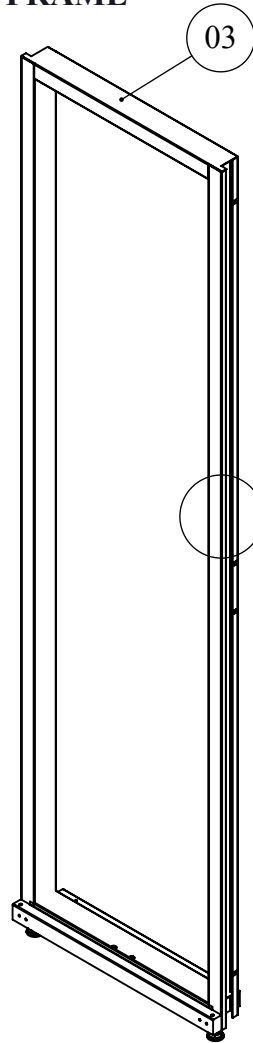


ANH MINH TECHNOLOGY COMPANY LIMITED-AMTEC CO.,LTD
17/3, Binh Quoi A, Binh Chuan, Thuan An, Binh Duong, Viet Nam
Tel: (84-650) 3612177 Fax: (84-650) 3612178
Email: info@amtec.com.vn Web: www.amtec.com.vn

Customer:	-	Drawing title:	AMRACK CABINET 48U 600x1100		Part No:	AMR48-6110	
Design by: HUỖNH HỮU AN	Date:	Checked by: LÊ HOÀNG TUẤN	Date:	Material: SPCC t=1.0 to 2.0	Scale: 1:15	Sheet No:	
Drawn by: HUỖNH HỮU AN	Date:	Approved by: PHAN QUANG ĐỨC	Date:	Qty/Job: -	Unit: mm	7	
File name:	-			Drawing No:	5		

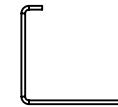
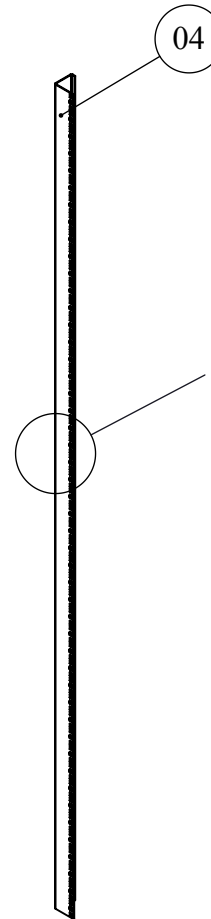
DETAIL ITEM:

FRAME

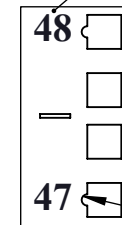


XTRUK 6 SIDES
MAX LOAD 1350kg

PROFILE BAR



U-HIGH NUMBERING



KEY ID

MOUNTING PROFILE

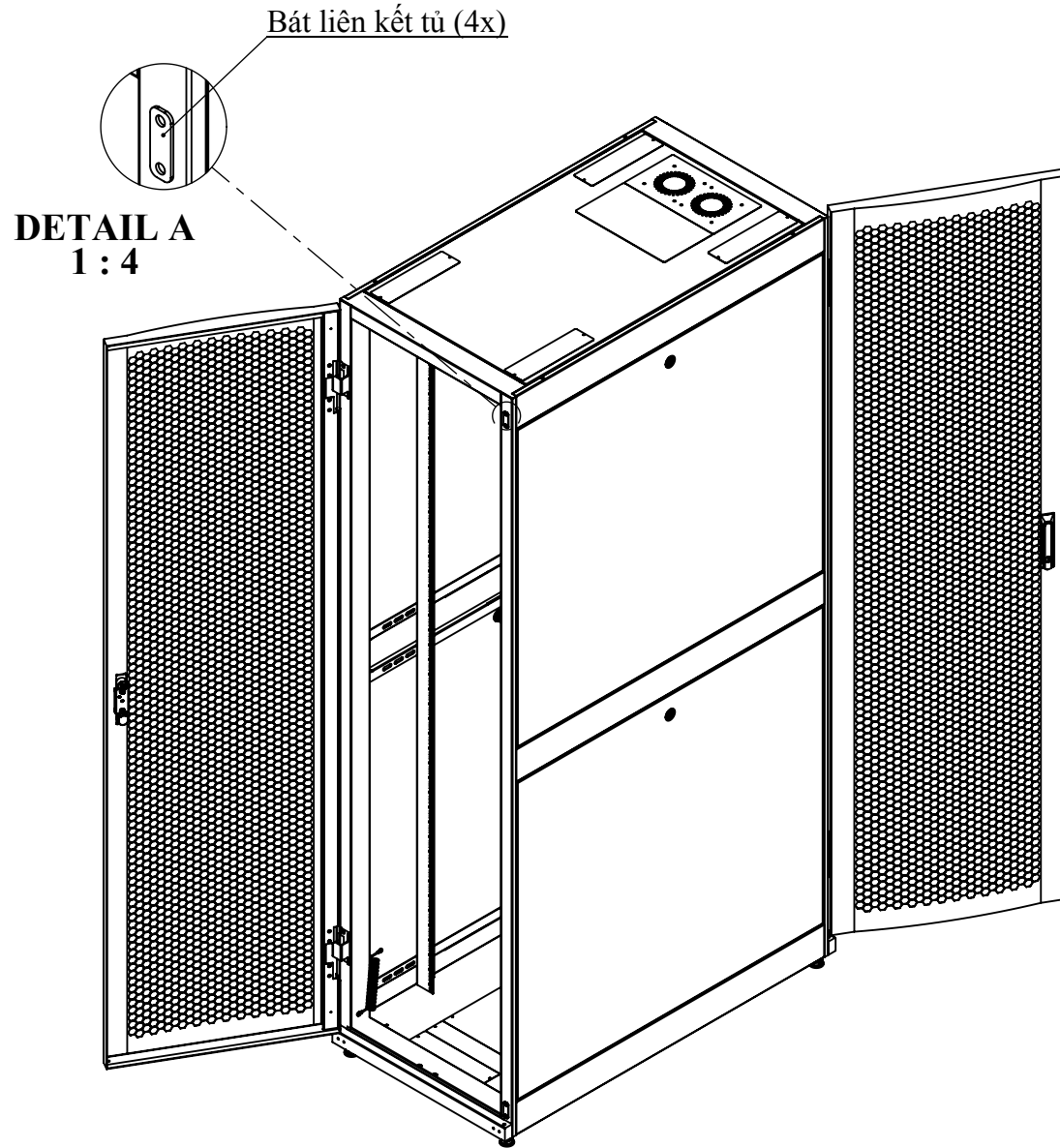


ANH MINH TECHNOLOGY COMPANY LIMITED-AMTEC CO.,LTD
17/3, Binh Quoi A, Binh Chuan, Thuan An, Binh Duong, Viet Nam
Tel: (84-650) 3612177 Fax: (84-650) 3612178
Email: info@amtec.com.vn Web: www.amtec.com.vn

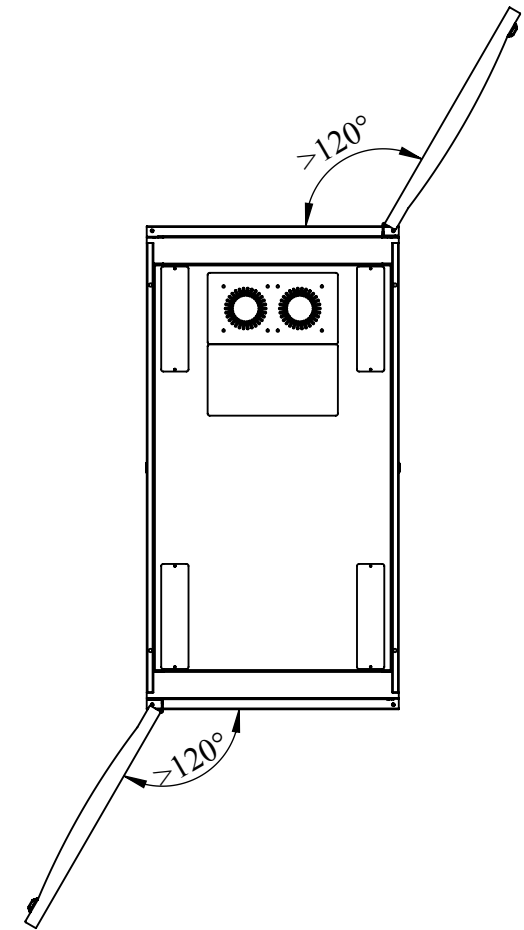
Customer:	-	Drawing title:	AMRACK CABINET 48U 600x1100	Part No:	AMR48-6110	 Sheet No: 7
Design by: HUỖNH HỮU AN	Date:	Checked by: LÊ HOÀNG TUẤN	Date:	Material: SPCC t=1.0 to 2.0	Scale: 1:16	
Drawn by: HUỖNH HỮU AN	Date:	Approved by: PHAN QUANG ĐỨC	Date:	Qty/Job: -	Unit: mm	
File name:	-	Drawing No:	6			

ISOMETRIC VIEW

TOP VIEW



Góc mở cửa trước và sau >120 độ



ANH MINH TECHNOLOGY COMPANY LIMITED-AMTEC CO.,LTD
17/3, Binh Quoi A, Binh Chuan, Thuan An, Binh Duong, Viet Nam
Tel: (84-650) 3612177 Fax: (84-650) 3612178
Email: info@amtec.com.vn Web: www.amtec.com.vn

Customer:	-	Drawing title:	AMRACK CABINET 48U 600x1100		Part No:	AMR48-6110	
Design by: HUỖNH HỮU AN	Date:	Checked by: LÊ HOÀNG TUẤN	Date:	Material: SPCC t=1.0 to 2.0	Scale: 1:18	Sheet No:	
Drawn by: HUỖNH HỮU AN	Date:	Approved by: PHAN QUANG ĐỨC	Date:	Qty/Job: -	Unit: mm	7	
File name:	-	Drawing No:	7				