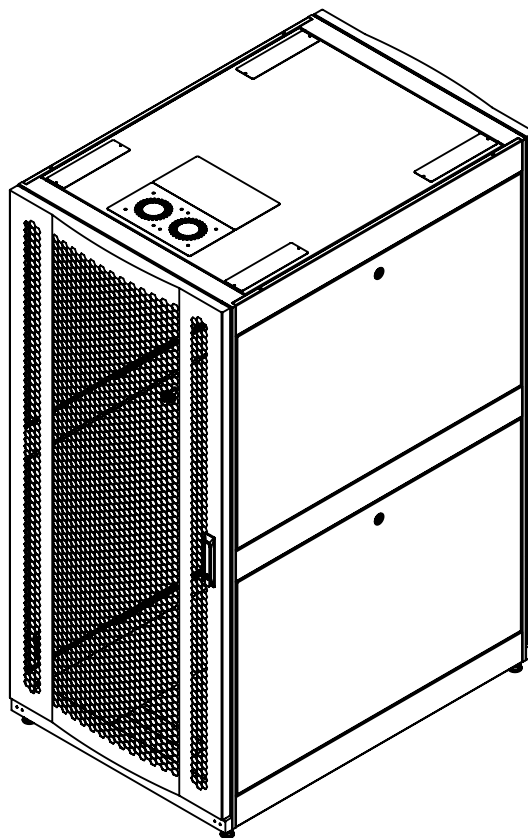
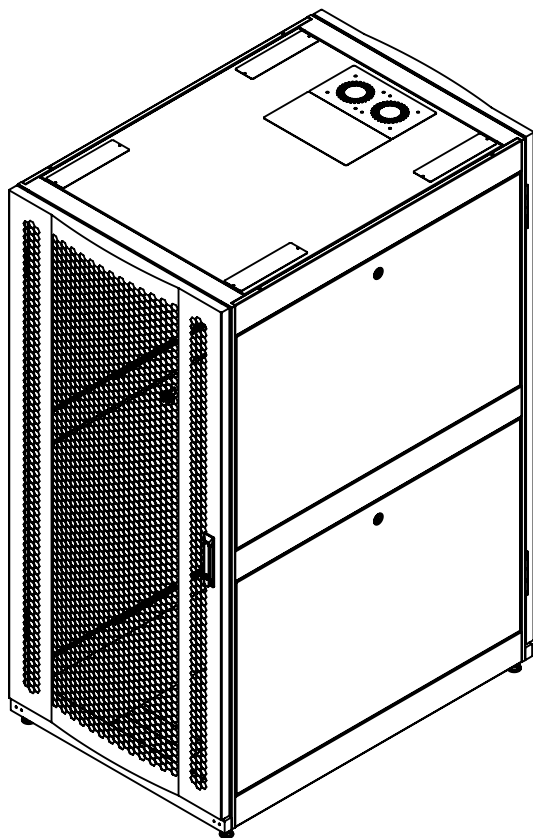


## FRONT&RIGHT VIEW

## REAR&LEFT VIEW



### Thông số kỹ thuật:

1	Các tiêu chuẩn	<ul style="list-style-type: none"> <li>. ISO 9001:2015</li> <li>. ISO 14001:2015</li> <li>. EN/IEC 62368-1, RoHS</li> <li>. ANSI/EIA 310-D, phần A</li> <li>. DIN 41494</li> <li>. BS5954 phần 2</li> <li>. IEC 60297-1, IEC 60297-2</li> <li>. IP20</li> </ul>
2	Vật liệu	<ul style="list-style-type: none"> <li>- Thép Posso/JSVC</li> <li>- Loại SPCC</li> </ul>
3	Tải trọng	<ul style="list-style-type: none"> <li>. Trên các bánh xe 1000 kg.</li> <li>. Trên các chân đế 1350 kg.</li> </ul>
4	Độ thông thoáng	Cửa lưới lọc góc trước&sau thông thoáng >65%
5	Màu sơn	Sơn tĩnh điện màu đen, chống bám bụi



ANH MINH TECHNOLOGY COMPANY LIMITED-AMTEC CO.,LTD  
 17/3, Binh Quoi A, Binh Chuan, Thuan An, Binh Duong, Viet Nam  
 Tel: (84-650) 3612177 Fax: (84-650) 3612178  
 Email: info@amtec.com.vn Web: www.amtec.com.vn

Customer: -

Drawing title:

AMRACK CABINET 36U 800x1100

Part No:

AMR36-8110

Design by: HUỲNH HỮU AN

Date:

Checked by: LÊ HOÀNG TUẤN

Date:

Material: SPCC t=1.0 to 2.0

Scale: 1:20

Sheet No:

Drawn by: HUỲNH HỮU AN

Date:

Approved by: PHAN QUANG ĐỨC

Date:

Qty/Job: -

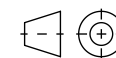
Unit: mm

7

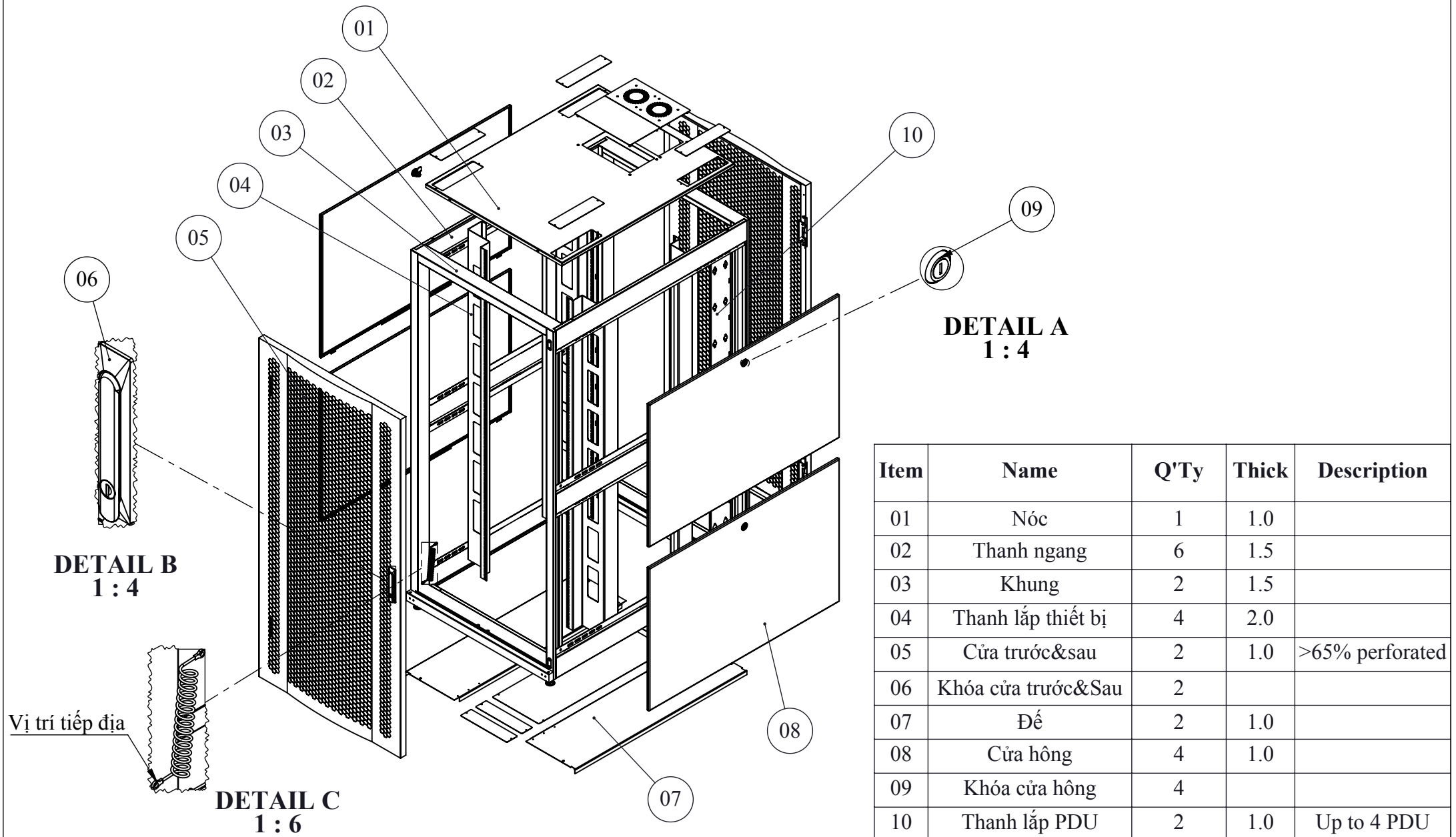
File name: -

Drawing No:

1



# EXPLODE VIEW




Item	Name	Q'Ty	Thick	Description
01	Nóc	1	1.0	
02	Thanh ngang	6	1.5	
03	Khung	2	1.5	
04	Thanh lắp thiết bị	4	2.0	
05	Cửa trước&sau	2	1.0	>65% perforated
06	Khóa cửa trước&Sau	2		
07	Đế	2	1.0	
08	Cửa hông	4	1.0	
09	Khóa cửa hông	4		
10	Thanh lắp PDU	2	1.0	Up to 4 PDU

**amtec**  
 ANH MINH TECHNOLOGY COMPANY LIMITED-AMTEC CO.,LTD  
 17/3, Binh Quoi A, Binh Chuan, Thuan An, Binh Duong, Viet Nam  
 Tel: (84-650) 3612177 Fax: (84-650) 3612178  
 Email: info@amtec.com.vn Web: www.amtec.com.vn

**Customer:** -  
**Design by:** HUỖNH HỮU ẮN **Date:** -  
**Drawn by:** HUỖNH HỮU ẮN **Date:** -  
**File name:** -

**Drawing title:** AMRACK CABINET 36U 800x1100  
**Checked by:** LÊ HOÀNG TUẤN **Date:** -  
**Approved by:** PHAN QUANG ĐỨC **Date:** -

**Part No:** AMR36-8110  
**Material:** SPCC t=1.0 to 2.0 **Scale:** 1:20  
**Qty/Job:** - **Unit:** mm  
**Drawing No:** 2

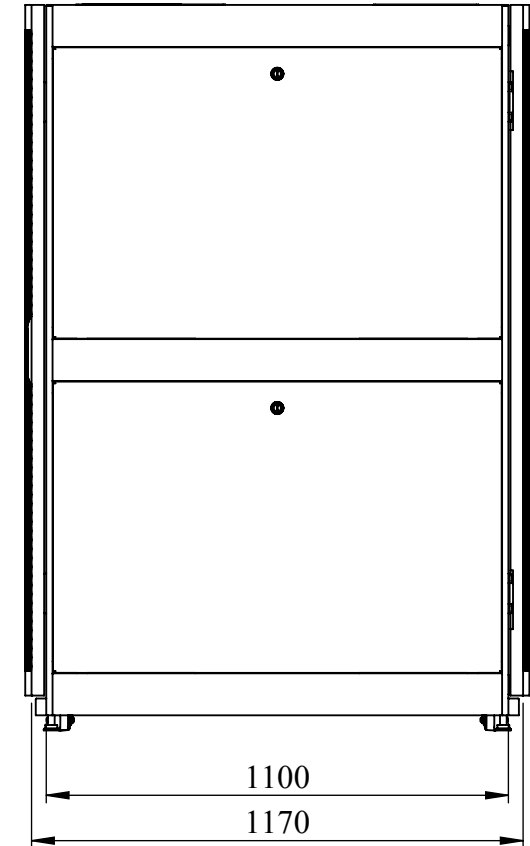
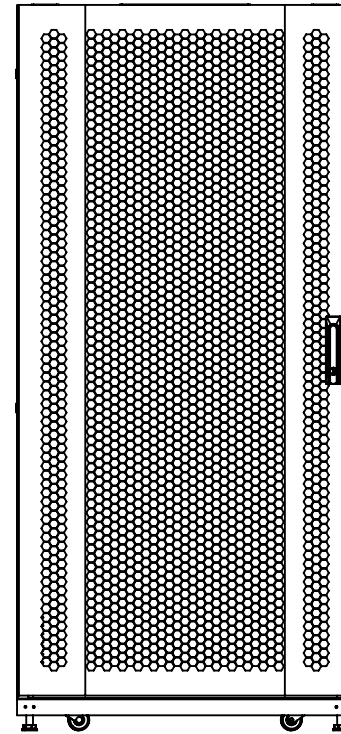
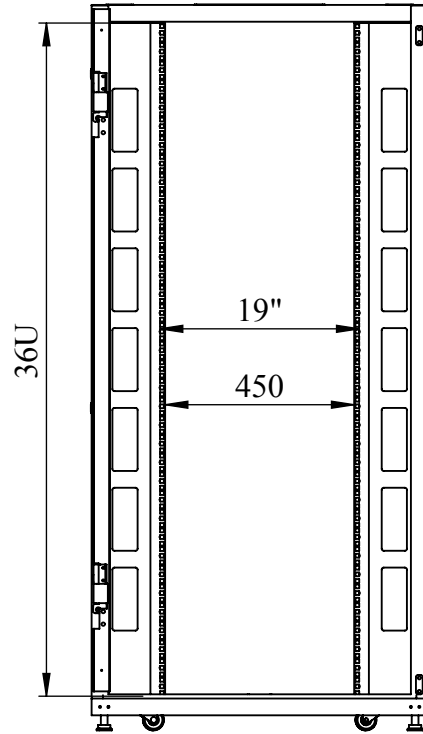
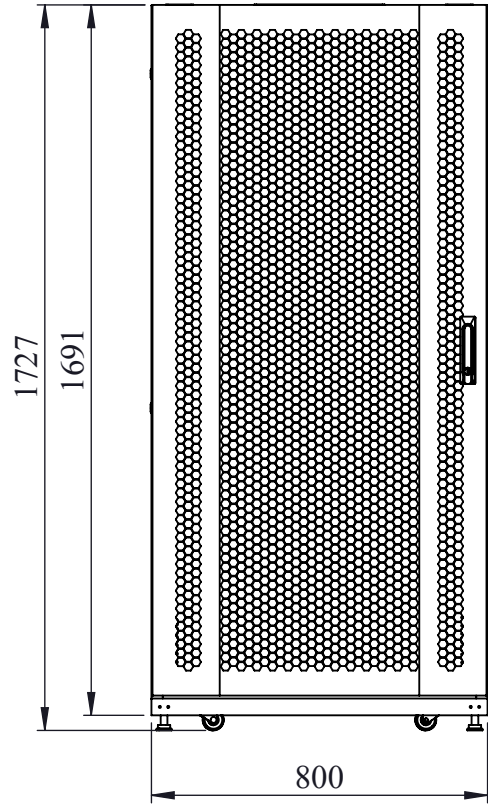
  
**Sheet No:** 7

**FRONT VIEW**

**FRONT VIEW  
(REMOVED DOOR)**

**BACK VIEW**

**SIDE VIEW**

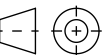


ANH MINH TECHNOLOGY COMPANY LIMITED-AMTEC CO.,LTD  
 17/3, Binh Quoi A, Binh Chuan, Thuan An, Binh Duong, Viet Nam  
 Tel: (84-650) 3612177 Fax: (84-650) 3612178  
 Email: info@amtec.com.vn Web: www.amtec.com.vn

**Customer:** -  
**Design by:** HUYNH HUU AN **Date:**  
**Drawn by:** HUYNH HUU AN **Date:**  
**File name:** -

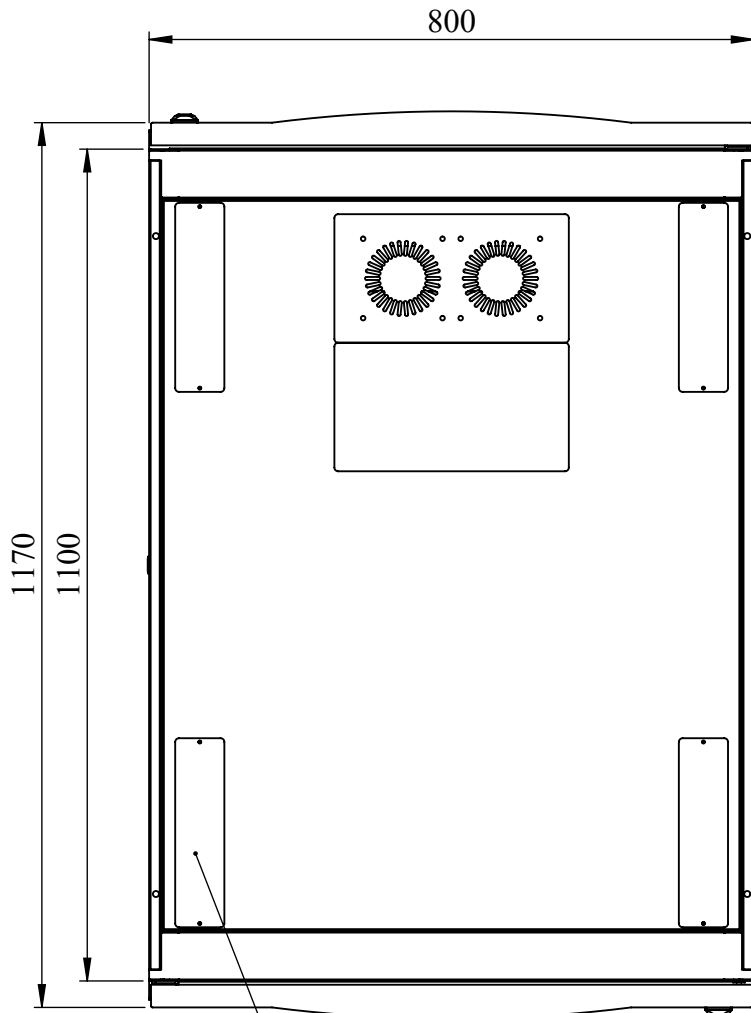
**Drawing title:**  
 AMRACK CABINET 36U 800x1100  
**Checked by:** LE HOANG TUAN **Date:**  
**Approved by:** PHAN QUANG DUC **Date:**

**Part No:**  
 AMR36-8110  
**Material:** SPCC t=1.0 to 2.0 **Scale:** 1:18  
**Qty/Job:** - **Unit:** mm  
**Drawing No:** 3



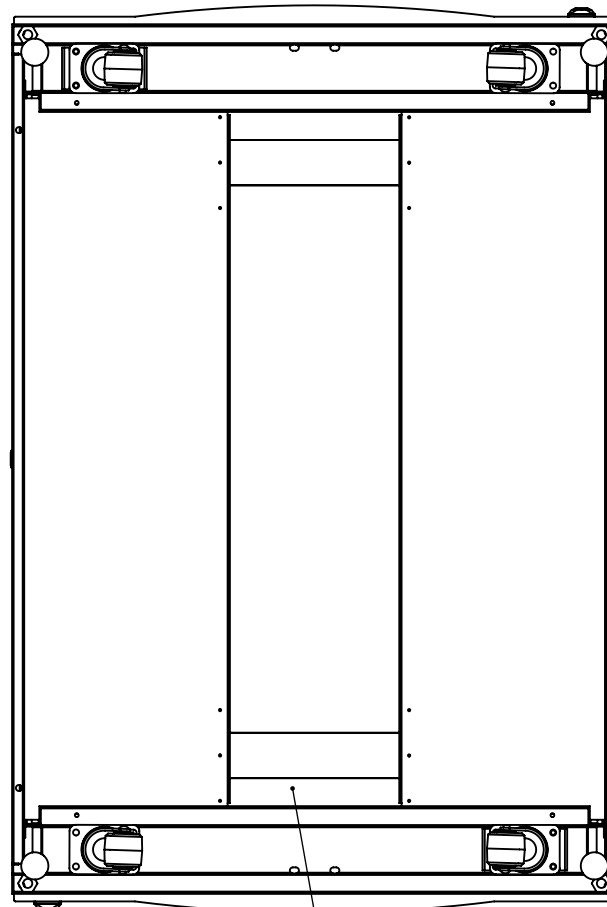
**Sheet No:**  
 7

### TOP VIEW



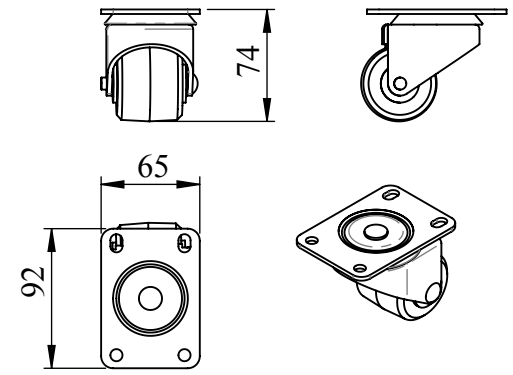
Cable hole 60x240(4x)

### BOTTOM VIEW



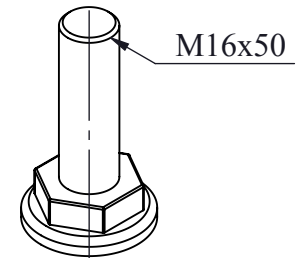
Cable hole 60x260(4x)

### Caster



Max load 1000kg

### Level feet



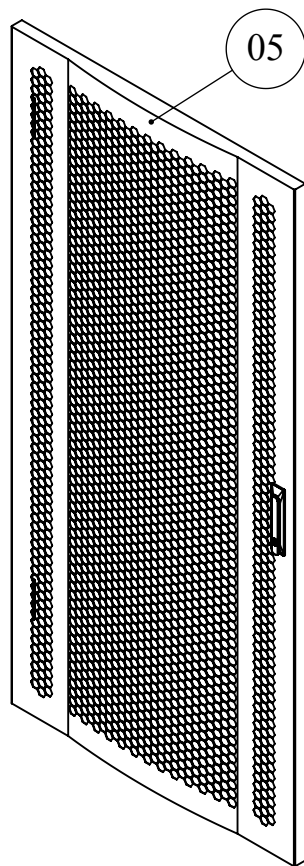
Max load 1350kg



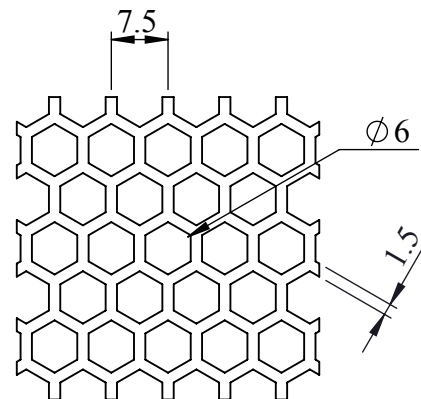
ANH MINH TECHNOLOGY COMPANY LIMITED-AMTEC CO.,LTD  
 17/3, Binh Quoi A, Binh Chuan, Thuan An, Binh Duong, Viet Nam  
 Tel: (84-650) 3612177 Fax: (84-650) 3612178  
 Email: info@amtec.com.vn Web: www.amtec.com.vn

<b>Customer:</b>	-	<b>Drawing title:</b>	AMRACK CABINET 36U 800x1100		<b>Part No:</b>	AMR36-8110	 <b>Sheet No:</b> 7		
<b>Design by:</b>	HUỖNH HỮU AN	<b>Date:</b>		<b>Checked by:</b>	LÊ HOÀNG TUẤN	<b>Date:</b>		<b>Material:</b> SPCC t=1.0 to 2.0	<b>Scale:</b> 1:50
<b>Drawn by:</b>	HUỖNH HỮU AN	<b>Date:</b>		<b>Approved by:</b>	PHAN QUANG ĐỨC	<b>Date:</b>		<b>Qty/Job:</b> -	<b>Unit:</b> mm
<b>File name:</b>	-			<b>Drawing No:</b>	4				

**DETAIL ITEM:**



FONT DOOR - REAR DOOR



DETAIL A: HEXAGON  
>65% PERFORATED DOOR



SWINGHANDLE KEY

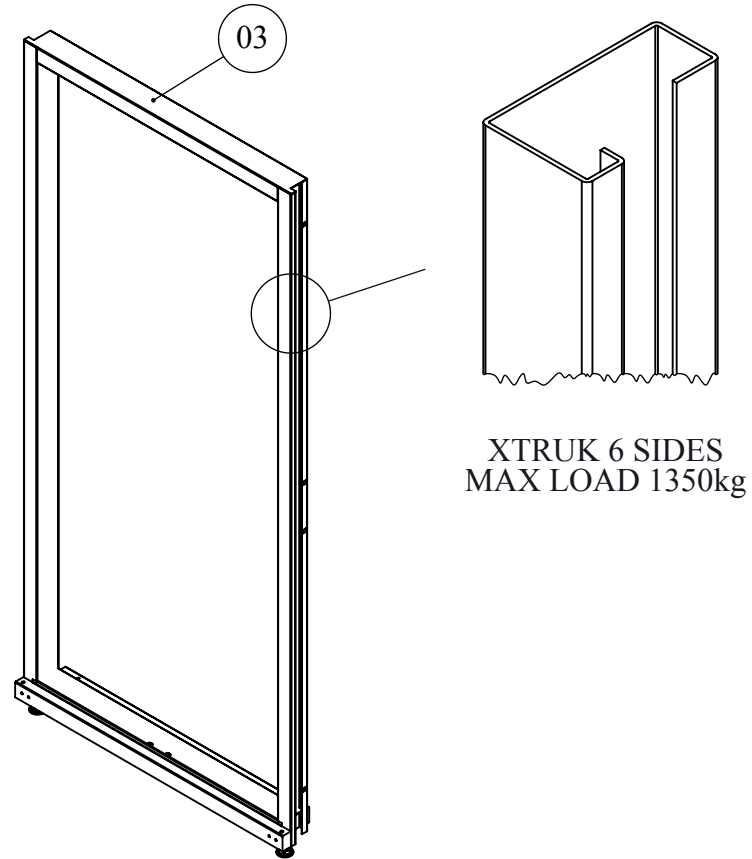


ANH MINH TECHNOLOGY COMPANY LIMITED-AMTEC CO.,LTD  
17/3, Binh Quoi A, Binh Chuan, Thuan An, Binh Duong, Viet Nam  
Tel: (84-650) 3612177 Fax: (84-650) 3612178  
Email: info@amtec.com.vn Web: www.amtec.com.vn

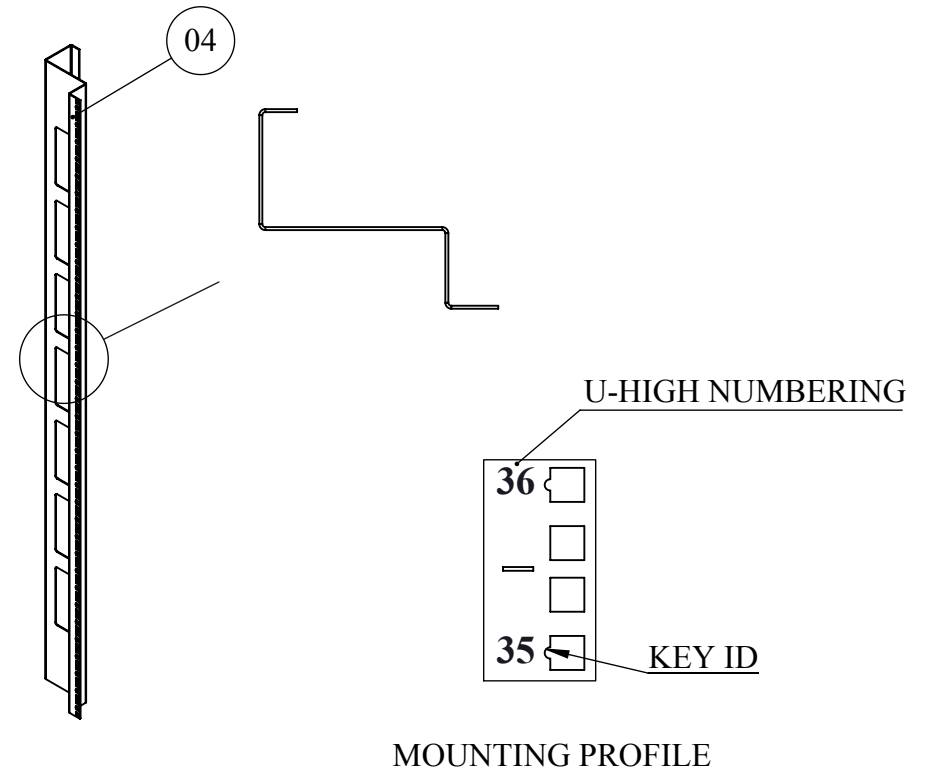
<b>Customer:</b>	-	<b>Drawing title:</b>	AMRACK CABINET 36U 800x1100		<b>Part No:</b>	AMR36-8110	
<b>Design by:</b> HUỖNH HỮU AN	<b>Date:</b>	<b>Checked by:</b> LÊ HOÀNG TUẤN	<b>Date:</b>	<b>Material:</b> SPCC t=1.0 to 2.0	<b>Scale:</b> 1:15	<b>Sheet No:</b>	
<b>Drawn by:</b> HUỖNH HỮU AN	<b>Date:</b>	<b>Approved by:</b> PHAN QUANG ĐỨC	<b>Date:</b>	<b>Qty/Job:</b> -	<b>Unit:</b> mm	7	
<b>File name:</b>	-	<b>Drawing No:</b>	5				

# DETAIL ITEM:

## FRAME



## PROFILE BAR

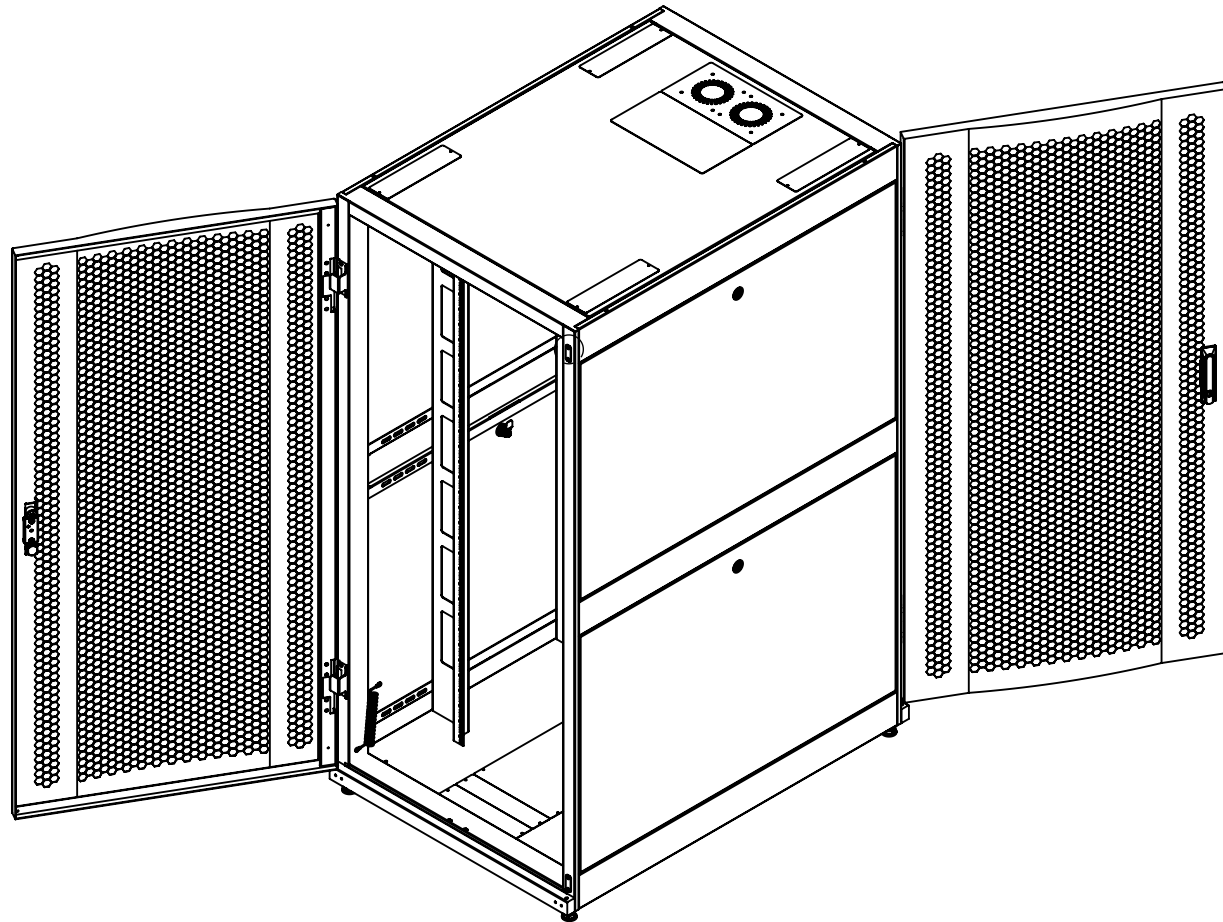


ANH MINH TECHNOLOGY COMPANY LIMITED-AMTEC CO.,LTD  
 17/3, Binh Quoi A, Binh Chuan, Thuan An, Binh Duong, Viet Nam  
 Tel: (84-650) 3612177 Fax: (84-650) 3612178  
 Email: info@amtec.com.vn Web: www.amtec.com.vn

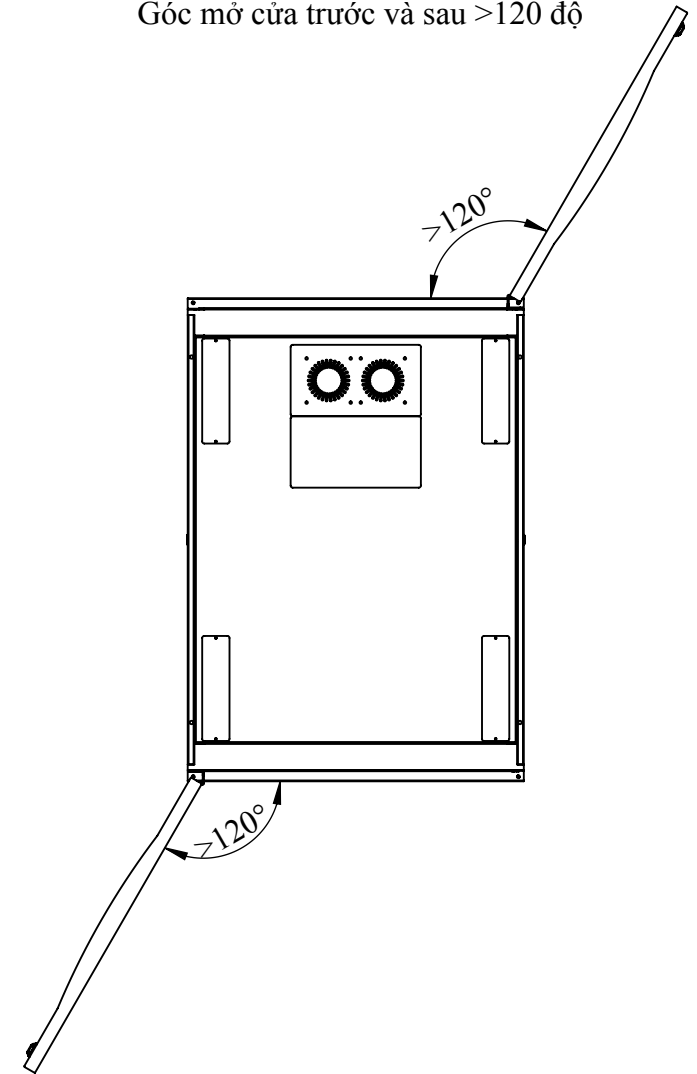
<b>Customer:</b>	-	<b>Drawing title:</b>	AMRACK CABINET 36U 800x1100	<b>Part No:</b>	AMR36-8110	 <b>Sheet No:</b> 7						
<b>Design by:</b>	HUỖNH HỮU AN	<b>Date:</b>		<b>Checked by:</b>	LÊ HOÀNG TUẤN		<b>Date:</b>		<b>Material:</b>	SPCC t=1.0 to 2.0	<b>Scale:</b>	1:16
<b>Drawn by:</b>	HUỖNH HỮU AN	<b>Date:</b>		<b>Approved by:</b>	PHAN QUANG ĐỨC		<b>Date:</b>		<b>Qty/Job:</b>	-	<b>Unit:</b>	mm
<b>File name:</b>	-			<b>Drawing No:</b>	6							

# ISOMETRIC VIEW

# TOP VIEW



Góc mở cửa trước và sau >120 độ



ANH MINH TECHNOLOGY COMPANY LIMITED-AMTEC CO.,LTD  
 17/3, Binh Quoi A, Binh Chuan, Thuan An, Binh Duong, Viet Nam  
 Tel: (84-650) 3612177 Fax: (84-650) 3612178  
 Email: info@amtec.com.vn Web: www.amtec.com.vn

<b>Customer:</b>	-	<b>Drawing title:</b>	AMRACK CABINET 36U 800x1100		<b>Part No:</b>	AMR36-8110	
<b>Design by:</b> HUỖNH HỮU AN	<b>Date:</b>	<b>Checked by:</b> LÊ HOÀNG TUẤN	<b>Date:</b>	<b>Material:</b> SPCC t=1.0 to 2.0	<b>Scale:</b> 1:18	<b>Sheet No:</b>	
<b>Drawn by:</b> HUỖNH HỮU AN	<b>Date:</b>	<b>Approved by:</b> PHAN QUANG ĐỨC	<b>Date:</b>	<b>Qty/Job:</b> -	<b>Unit:</b> mm	7	
<b>File name:</b>	-			<b>Drawing No:</b>	7		