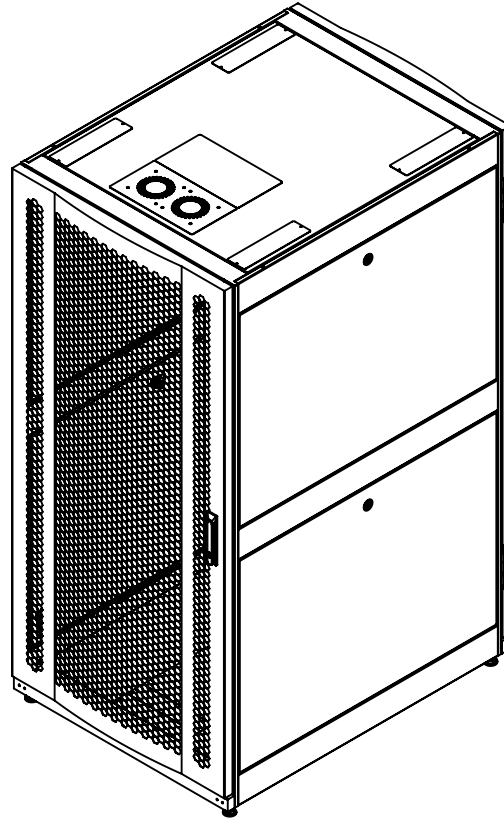
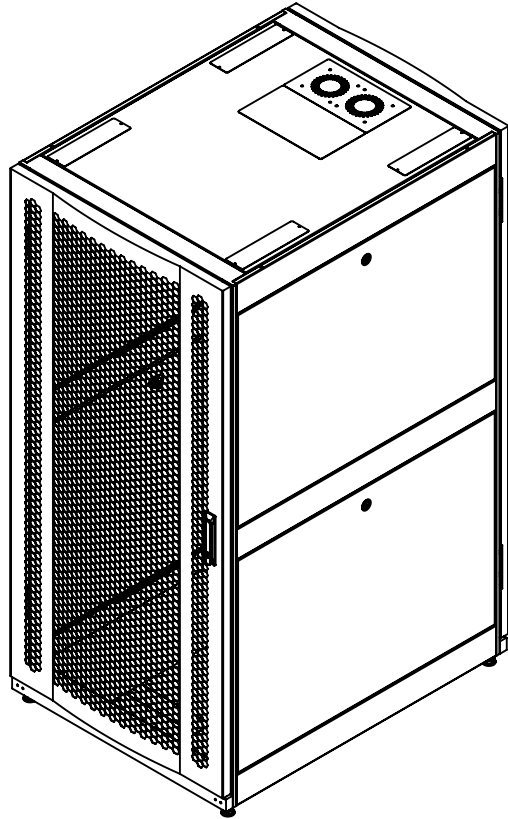


# FRONT&RIGHT VIEW

# REAR&LEFT VIEW



## Thông số kỹ thuật:

1	Các tiêu chuẩn	. ISO 9001:2015 . ISO 14001:2015 . EN/IEC 62368-1, RoHS . ANSI/EIA 310-D, phần A . DIN 41494 . BS5954 phần 2 . IEC 60297-1, IEC 60297-2 . IP20
2	Vật liệu	- Thép Posso/JSVC - Loại SPCC
3	Tải trọng	. Trên các bánh xe 1000 kg. . Trên các chân đế 1350 kg.
4	Độ thông thoáng	Cửa lưới lọc góc trước&sau thông thoáng >65%
5	Màu sơn	Sơn tĩnh điện màu đen, chống bám bụi

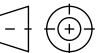


ANH MINH TECHNOLOGY COMPANY LIMITED-AMTEC CO.,LTD  
17/3, Binh Quoi A, Binh Chuan, Thuan An, Binh Duong, Viet Nam  
Tel: (84-650) 3612177 Fax: (84-650) 3612178  
Email: info@amtec.com.vn Web: www.amtec.com.vn

Customer: -

Drawing title:  
AMRACK CABINET 36U 800x1000

Part No:  
AMR36-8100



Design by: HUỖNH HỮU ẮN Date:

Checked by: LÊ HOÀNG TUẤN Date:

Material: SPCC t=1.0 to 2.0

Scale: 1:20

Sheet No:

Drawn by: HUỖNH HỮU ẮN Date:

Approved by: PHAN QUANG ĐỨC Date:

Qty/Job: -

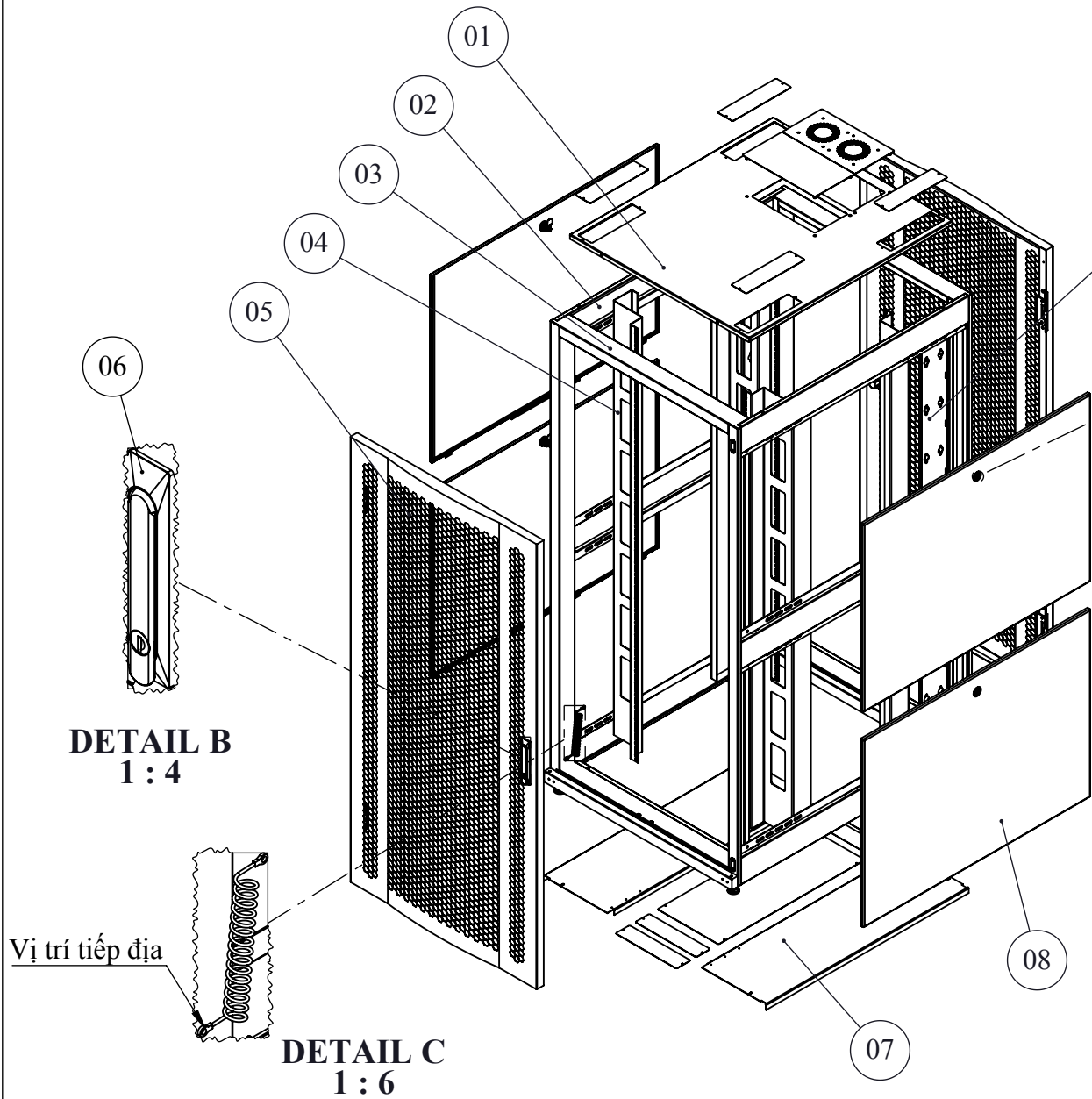
Unit: mm

7

File name: -

Drawing No: 1

# EXPLODE VIEW



**DETAIL A**  
1 : 4

**DETAIL B**  
1 : 4

**DETAIL C**  
1 : 6


Item	Name	Q'Ty	Thick	Description
01	Nóc	1	1.0	
02	Thanh ngang	6	1.5	
03	Khung	2	1.5	
04	Thanh lắp thiết bị	4	2.0	
05	Cửa trước&sau	2	1.0	>65% perforated
06	Khóa cửa trước&Sau	2		
07	Đế	2	1.0	
08	Cửa hông	4	1.0	
09	Khóa cửa hông	4		
10	Thanh lắp PDU	2	1.0	Up to 4 PDU

**amtec**  
ANH MINH TECHNOLOGY COMPANY LIMITED-AMTEC CO.,LTD  
17/3, Binh Quoi A, Binh Chuan, Thuan An, Binh Duong, Viet Nam  
Tel: (84-650) 3612177 Fax: (84-650) 3612178  
Email: info@amtec.com.vn Web: www.amtec.com.vn

**Customer:** -  
**Design by:** HUỖNH HỮU AN **Date:** -  
**Drawn by:** HUỖNH HỮU AN **Date:** -  
**File name:** -

**Drawing title:** AMRACK CABINET 36U 800x1000  
**Checked by:** LÊ HOÀNG TUẤN **Date:** -  
**Approved by:** PHAN QUANG ĐỨC **Date:** -

**Part No:** AMR36-8100  
**Material:** SPCC t=1.0 to 2.0 **Scale:** 1:20  
**Qty/Job:** - **Unit:** mm  
**Drawing No:** 2

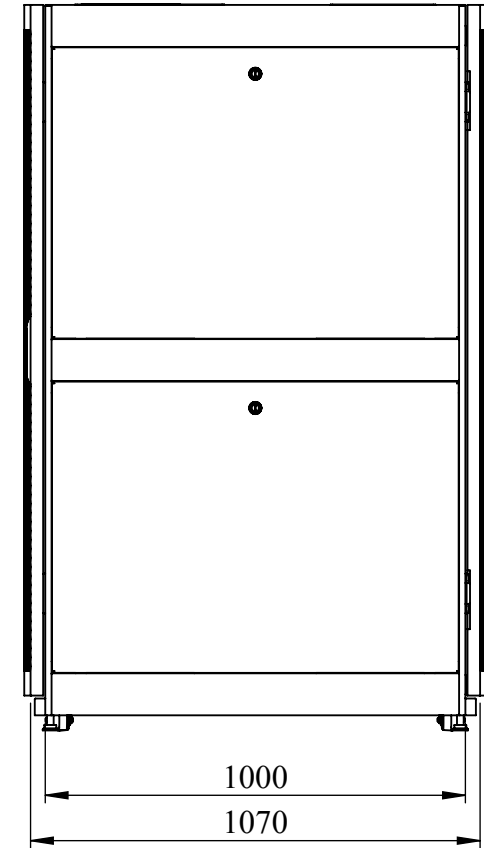
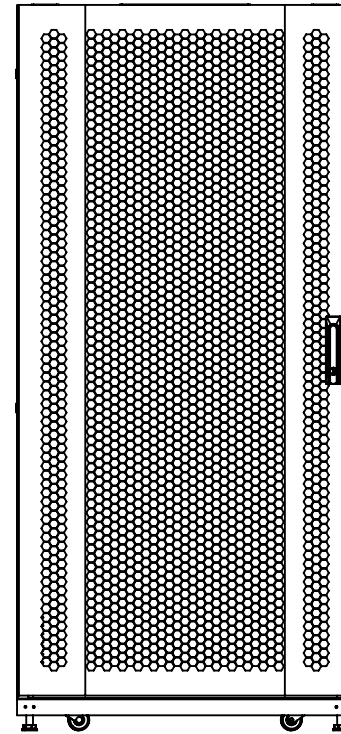
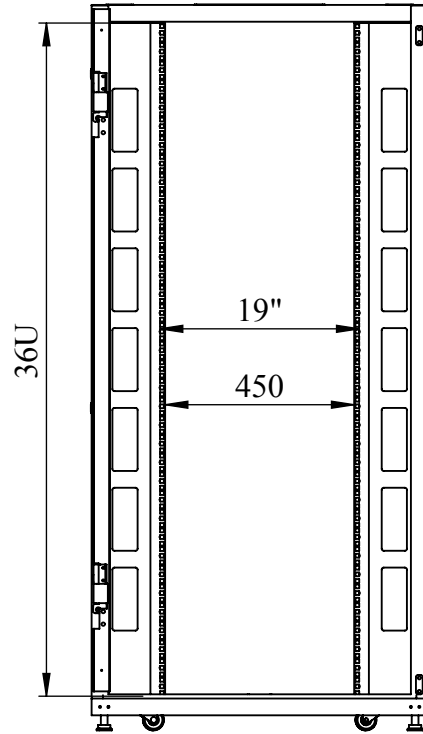
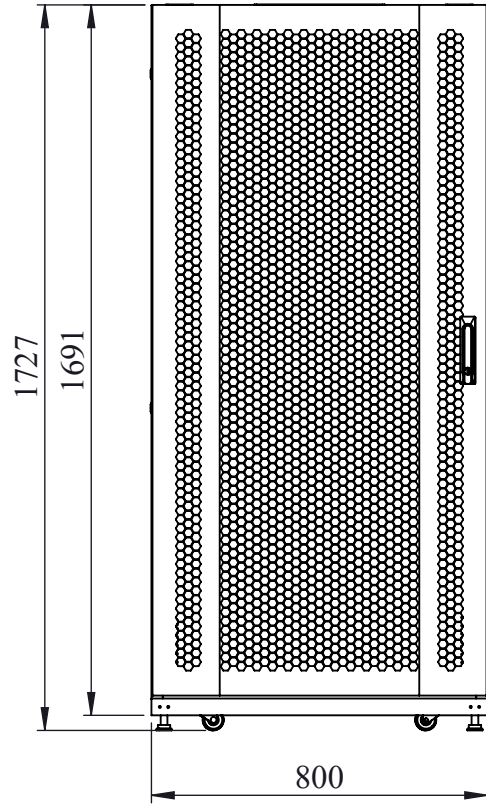
  
**Sheet No:** 7

**FRONT VIEW**

**FRONT VIEW  
(REMOVED DOOR)**

**BACK VIEW**

**SIDE VIEW**

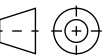


ANH MINH TECHNOLOGY COMPANY LIMITED-AMTEC CO.,LTD  
 17/3, Binh Quoi A, Binh Chuan, Thuan An, Binh Duong, Viet Nam  
 Tel: (84-650) 3612177 Fax: (84-650) 3612178  
 Email: info@amtec.com.vn Web: www.amtec.com.vn

**Customer:** -  
**Design by:** HUỲNH HỮU AN **Date:** -  
**Drawn by:** HUỲNH HỮU AN **Date:** -  
**File name:** -

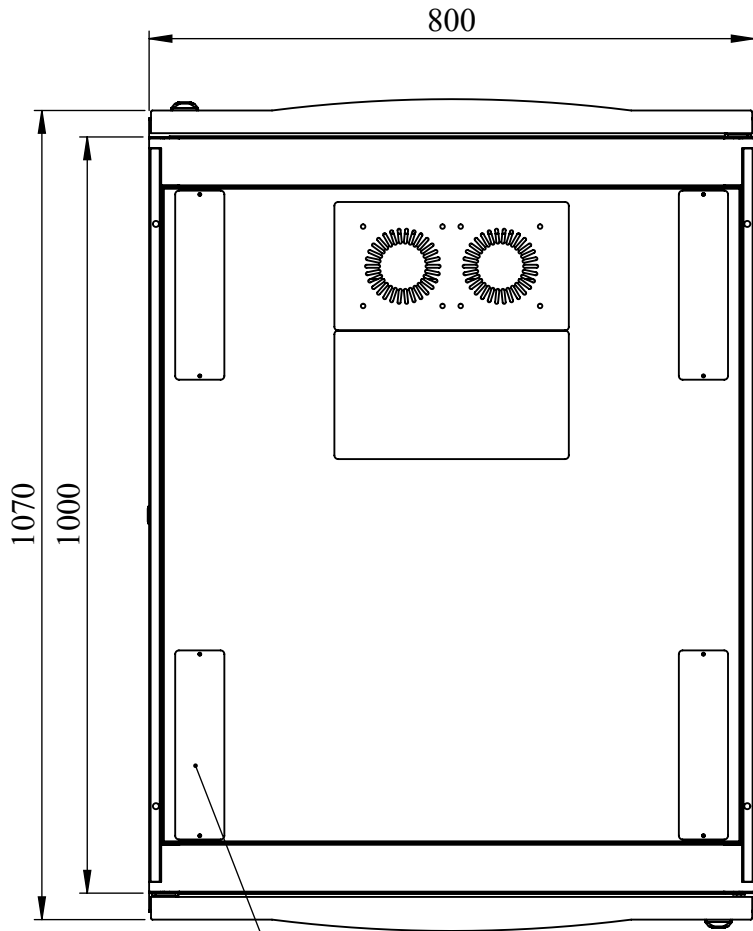
**Drawing title:** AMRACK CABINET 36U 800x1000  
**Checked by:** LÊ HOÀNG TUẤN **Date:** -  
**Approved by:** PHAN QUANG ĐỨC **Date:** -

**Part No:** AMR36-8100  
**Material:** SPCC t=1.0 to 2.0 **Scale:** 1:18  
**Qty/Job:** - **Unit:** mm  
**Drawing No:** 3



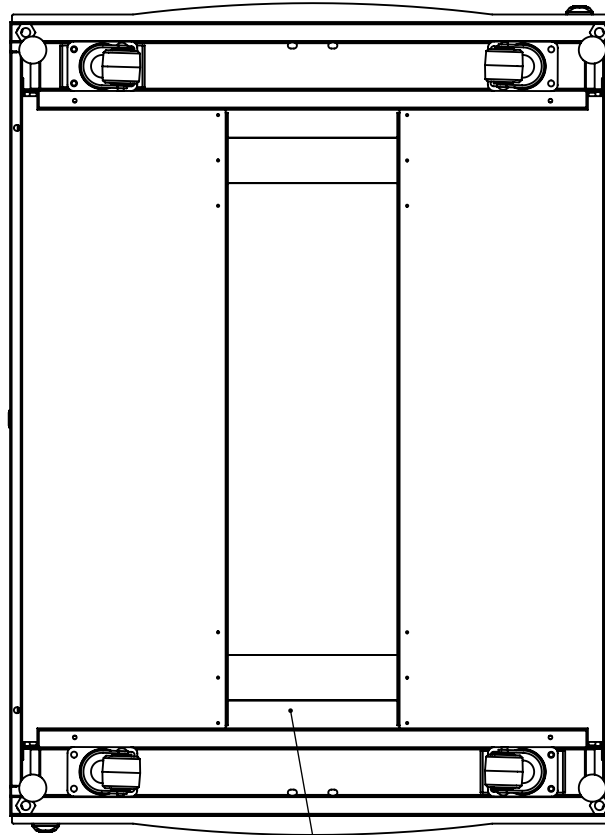
**Sheet No:** 7

**TOP VIEW**



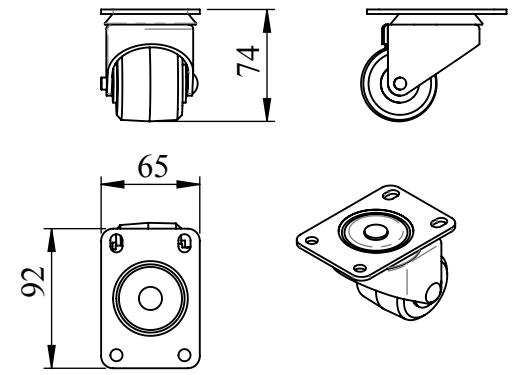
Cable hole 60x240(4x)

**BOTTOM VIEW**



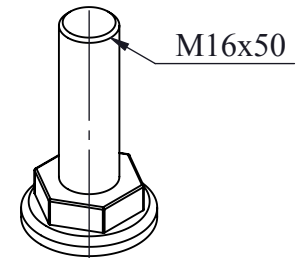
Cable hole 60x260(4x)

**Caster**



Max load 1000kg

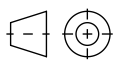
**Level feet**



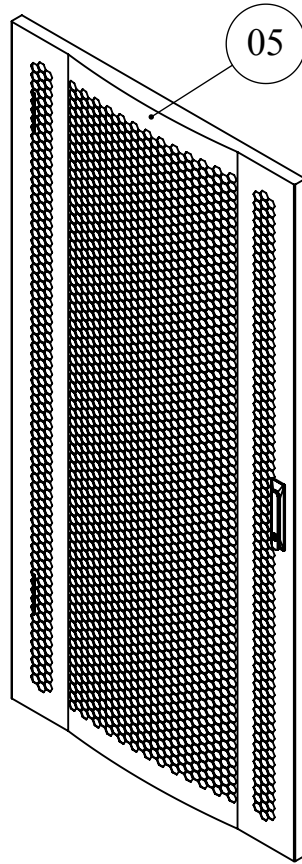
Max load 1350kg



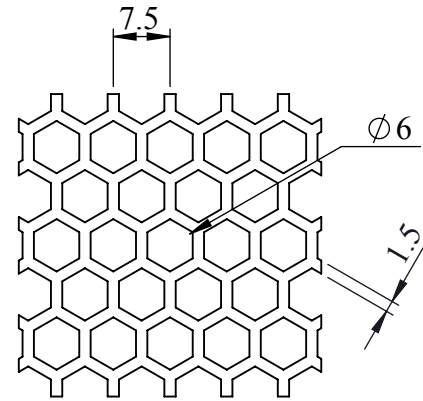
ANH MINH TECHNOLOGY COMPANY LIMITED-AMTEC CO.,LTD  
 17/3, Binh Quoi A, Binh Chuan, Thuan An, Binh Duong, Viet Nam  
 Tel: (84-650) 3612177 Fax: (84-650) 3612178  
 Email: info@amtec.com.vn Web: www.amtec.com.vn

<b>Customer:</b>	-	<b>Drawing title:</b>	AMRACK CABINET 36U 800x1000		<b>Part No:</b>	AMR36-8100	 <b>Sheet No:</b> 7
<b>Design by:</b> HUỖNH HỮU AN	<b>Date:</b>	<b>Checked by:</b> LÊ HOÀNG TUẤN	<b>Date:</b>	<b>Material:</b> SPCC t=1.0 to 2.0	<b>Scale:</b> 1:50	<b>Unit:</b> mm	
<b>Drawn by:</b> HUỖNH HỮU AN	<b>Date:</b>	<b>Approved by:</b> PHAN QUANG ĐỨC	<b>Date:</b>	<b>Qty/Job:</b> -			
<b>File name:</b>	-	<b>Drawing No:</b>	4				

**DETAIL ITEM:**



FONT DOOR - REAR DOOR



DETAIL A: HEXAGON  
>65% PERFORATED DOOR



SWINGHANDLE KEY

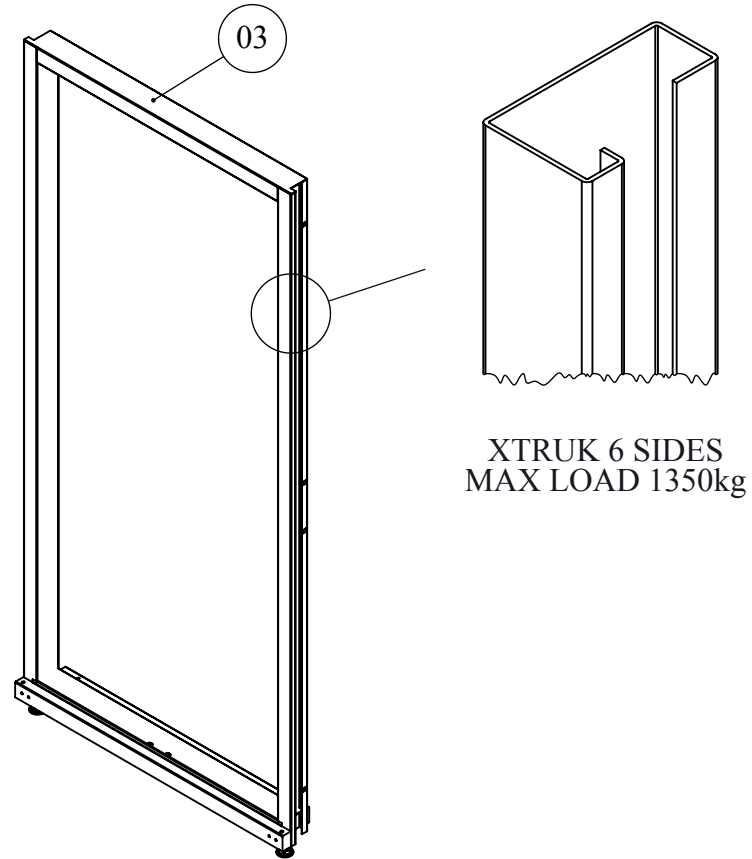


ANH MINH TECHNOLOGY COMPANY LIMITED-AMTEC CO.,LTD  
17/3, Binh Quoi A, Binh Chuan, Thuan An, Binh Duong, Viet Nam  
Tel: (84-650) 3612177 Fax: (84-650) 3612178  
Email: info@amtec.com.vn Web: www.amtec.com.vn

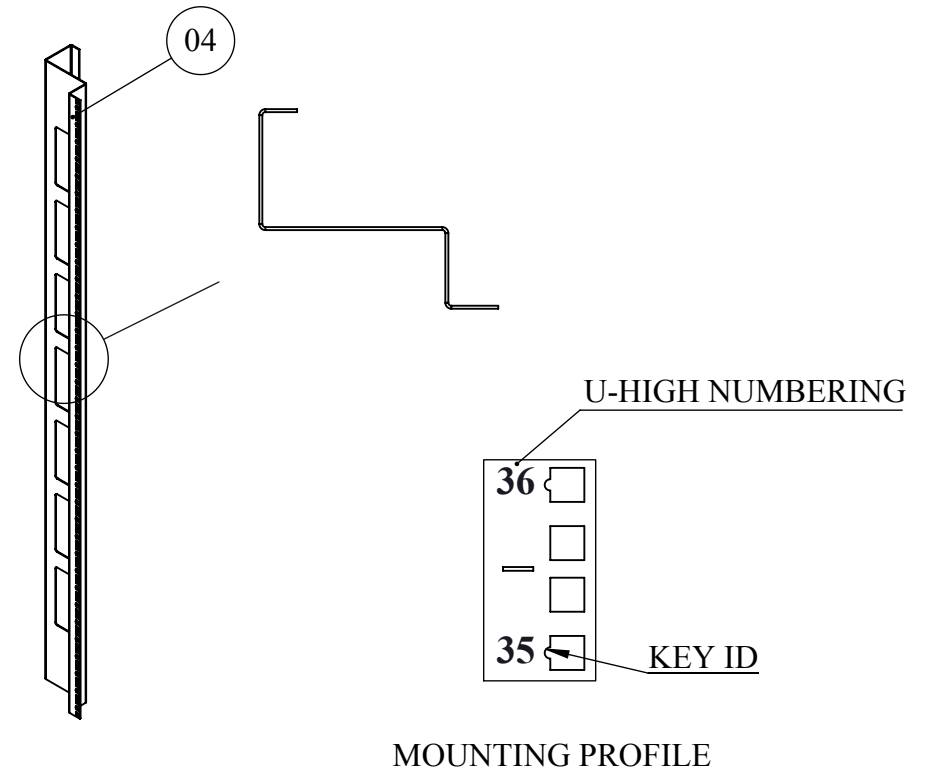
<b>Customer:</b>	-	<b>Drawing title:</b>	AMRACK CABINET 36U 800x1000		<b>Part No:</b>	AMR36-8100	
<b>Design by:</b> HUỲNH HỮU AN	<b>Date:</b>	<b>Checked by:</b> LÊ HOÀNG TUẤN	<b>Date:</b>	<b>Material:</b> SPCC t=1.0 to 2.0	<b>Scale:</b> 1:15	<b>Sheet No:</b>	
<b>Drawn by:</b> HUỲNH HỮU AN	<b>Date:</b>	<b>Approved by:</b> PHAN QUANG ĐỨC	<b>Date:</b>	<b>Qty/Job:</b> -	<b>Unit:</b> mm	7	
<b>File name:</b>	-	<b>Drawing No:</b>	5				

# DETAIL ITEM:

## FRAME



## PROFILE BAR

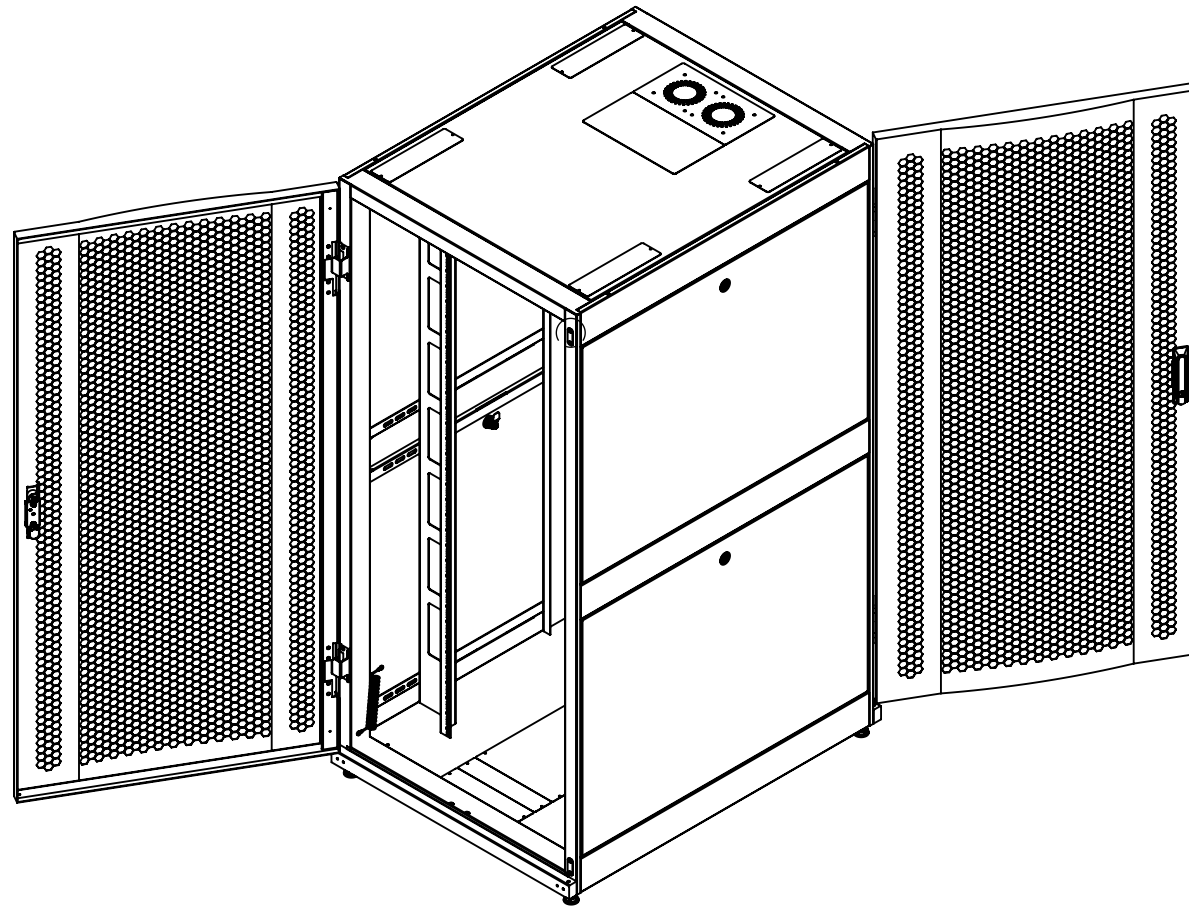


ANH MINH TECHNOLOGY COMPANY LIMITED-AMTEC CO.,LTD  
 17/3, Binh Quoi A, Binh Chuan, Thuan An, Binh Duong, Viet Nam  
 Tel: (84-650) 3612177 Fax: (84-650) 3612178  
 Email: info@amtec.com.vn Web: www.amtec.com.vn

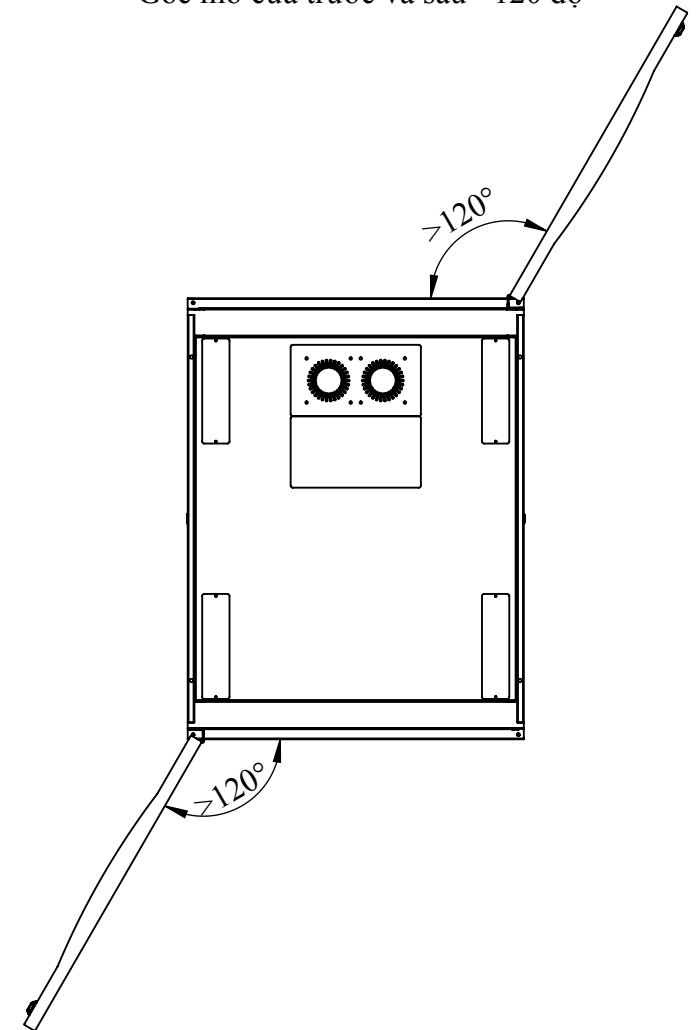
<b>Customer:</b>	-	<b>Drawing title:</b>	AMRACK CABINET 36U 800x1000	<b>Part No:</b>	AMR36-8100	 <b>Sheet No:</b> 7		
<b>Design by:</b>	HUỖNH HỮU AN	<b>Date:</b>		<b>Material:</b>	SPCC t=1.0 to 2.0		<b>Scale:</b>	1:16
<b>Drawn by:</b>	HUỖNH HỮU AN	<b>Date:</b>		<b>Approved by:</b>	PHAN QUANG ĐỨC		<b>Qty/Job:</b>	-
<b>File name:</b>	-	<b>Date:</b>		<b>Unit:</b>	mm		<b>Drawing No:</b>	6

# ISOMETRIC VIEW

# TOP VIEW



Góc mở cửa trước và sau >120 độ



ANH MINH TECHNOLOGY COMPANY LIMITED-AMTEC CO.,LTD  
 17/3, Binh Quoi A, Binh Chuan, Thuan An, Binh Duong, Viet Nam  
 Tel: (84-650) 3612177 Fax: (84-650) 3612178  
 Email: info@amtec.com.vn Web: www.amtec.com.vn

<b>Customer:</b>	-	<b>Drawing title:</b>	AMRACK CABINET 36U 800x1000		<b>Part No:</b>	AMR36-8100			
<b>Design by:</b>	HUỲNH HỮU AN	<b>Date:</b>	-	<b>Checked by:</b>	LÊ HOÀNG TUẤN	<b>Date:</b>	-		<b>Sheet No:</b>
<b>Drawn by:</b>	HUỲNH HỮU AN	<b>Date:</b>	-	<b>Approved by:</b>	PHAN QUANG ĐỨC	<b>Date:</b>	-		
<b>File name:</b>	-			<b>Material:</b>	SPCC t=1.0 to 2.0	<b>Scale:</b>	1:18		
				<b>Qty/Job:</b>	-	<b>Unit:</b>	mm		
				<b>Drawing No:</b>	7				