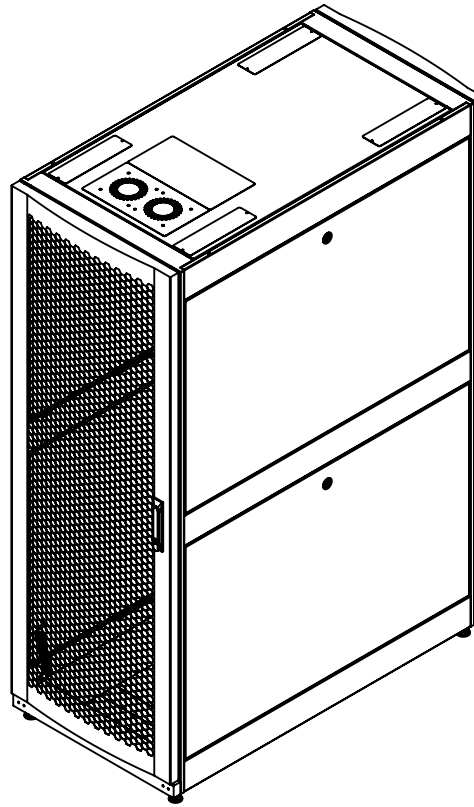
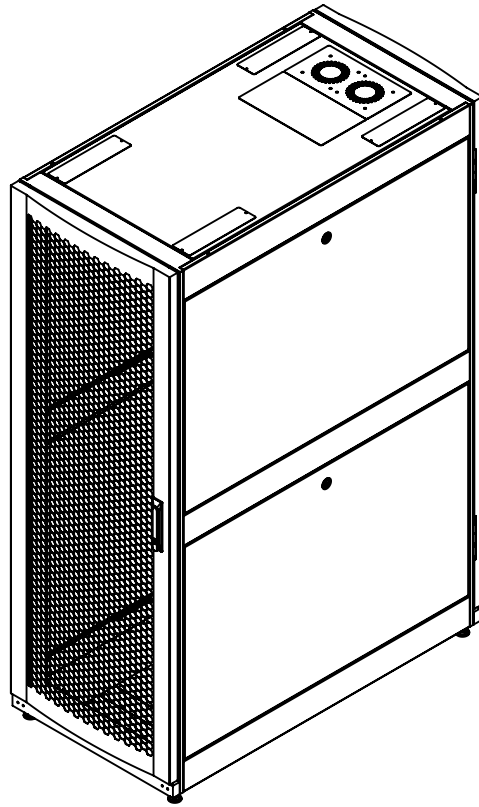


# FRONT&RIGHT VIEW

# REAR&LEFT VIEW



## Thông số kỹ thuật:

1	Các tiêu chuẩn	<ul style="list-style-type: none"> <li>. ISO 9001:2015</li> <li>. ISO 14001:2015</li> <li>. EN/IEC 62368-1, RoHS</li> <li>. ANSI/EIA 310-D, phần A</li> <li>. DIN 41494</li> <li>. BS5954 phần 2</li> <li>. IEC 60297-1, IEC 60297-2</li> <li>. IP20</li> </ul>
2	Vật liệu	<ul style="list-style-type: none"> <li>- Thép Posso/JSVC</li> <li>- Loại SPCC</li> </ul>
3	Tải trọng	<ul style="list-style-type: none"> <li>. Trên các bánh xe 1000 kg.</li> <li>. Trên các chân đế 1350 kg.</li> </ul>
4	Độ thông thoáng	Cửa lưới lục giác trước&sau thông thoáng >65%
5	Màu sơn	Sơn tĩnh điện màu đen, chống bám bụi

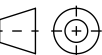


ANH MINH TECHNOLOGY COMPANY LIMITED-AMTEC CO.,LTD  
 17/3, Binh Quoi A, Binh Chuan, Thuan An, Binh Duong, Viet Nam  
 Tel: (84-650) 3612177 Fax: (84-650) 3612178  
 Email: info@amtec.com.vn Web: www.amtec.com.vn

<b>Customer:</b>	-
<b>Design by:</b> HUỲNH HỮU AN	<b>Date:</b>
<b>Drawn by:</b> HUỲNH HỮU AN	<b>Date:</b>
<b>File name:</b>	-

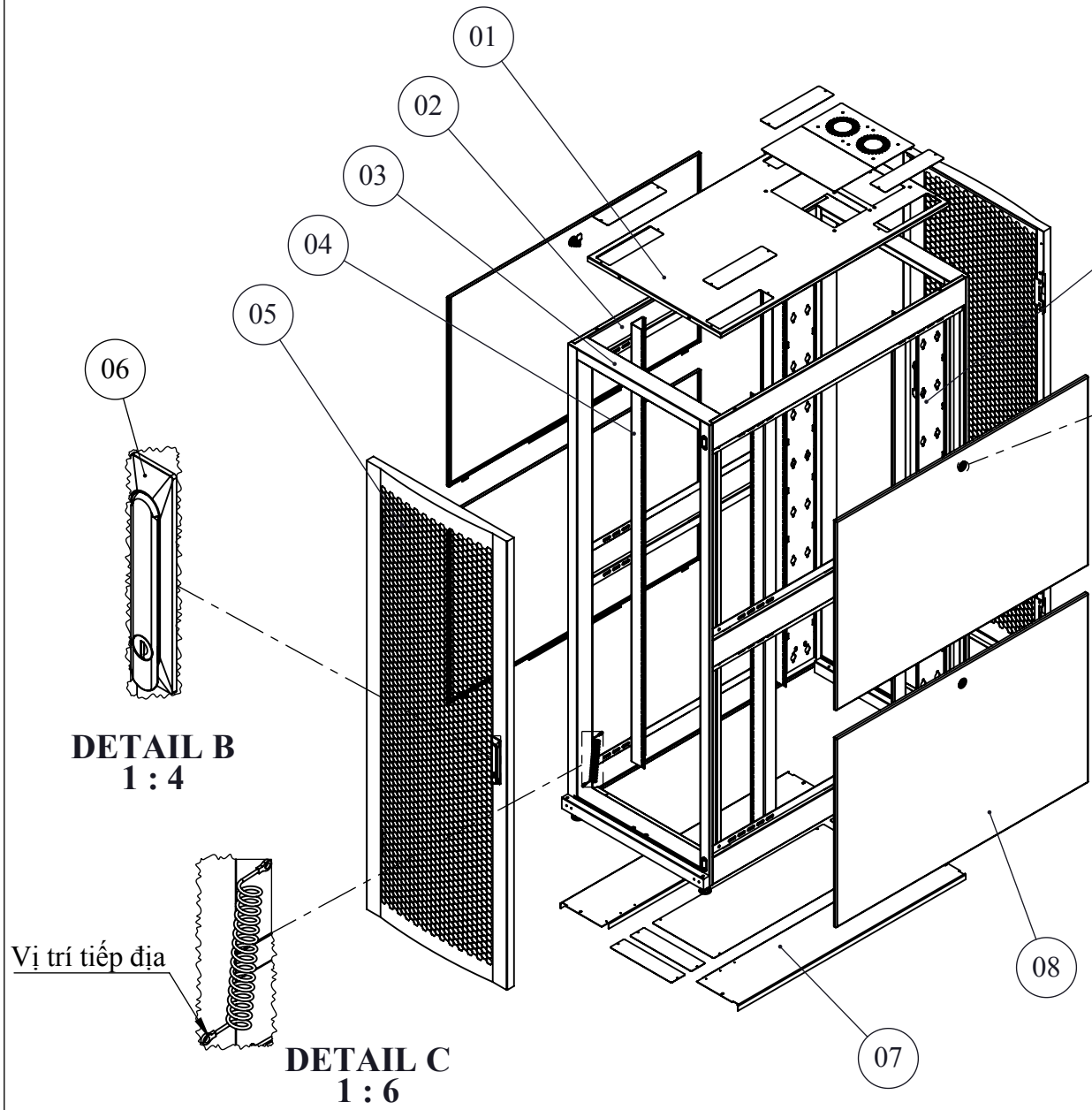
<b>Drawing title:</b>	AMRACK CABINET 36U 600x1100
<b>Checked by:</b> LÊ HOÀNG TUẤN	<b>Date:</b>
<b>Approved by:</b> PHAN QUANG ĐỨC	<b>Date:</b>

<b>Part No:</b>	AMR36-6110
<b>Material:</b> SPCC t=1.0 to 2.0	<b>Scale:</b> 1:20
<b>Qty/Job:</b> -	<b>Unit:</b> mm
<b>Drawing No:</b>	1



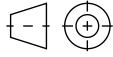
**Sheet No:**  
7

# EXPLODE VIEW

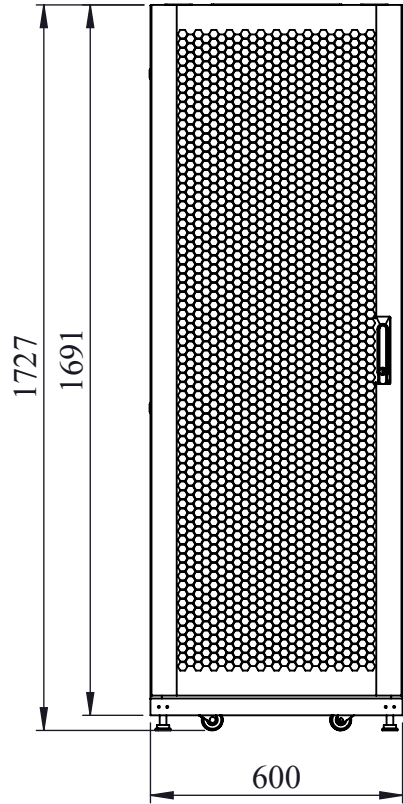


Item	Name	Q'Ty	Thick	Description
01	Nóc	1	1.0	
02	Thanh ngang	6	1.5	
03	Khung	2	1.5	
04	Thanh lắp thiết bị	4	2.0	
05	Cửa trước&sau	2	1.0	>65% perforated
06	Khóa cửa trước&Sau	2		
07	Đế	2	1.0	
08	Cửa hông	4	1.0	
09	Khóa cửa hông	4		
10	Thanh lắp PDU	2	1.0	Up to 4 PDU

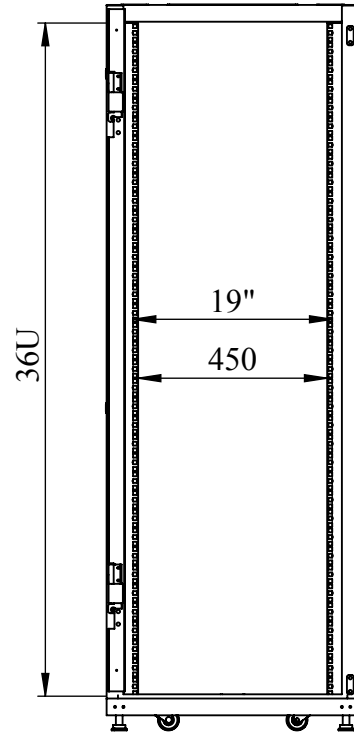
**amtec**  
 ANH MINH TECHNOLOGY COMPANY LIMITED-AMTEC CO.,LTD  
 17/3, Binh Quoi A, Binh Chuan, Thuan An, Binh Duong, Viet Nam  
 Tel: (84-650) 3612177 Fax: (84-650) 3612178  
 Email: info@amtec.com.vn Web: www.amtec.com.vn

<b>Customer:</b>	-	<b>Drawing title:</b>	AMRACK CABINET 36U 600x1100	<b>Part No:</b>	AMR36-6110	 <b>Sheet No:</b> 7
<b>Design by:</b>	HUỖNH HỮU ẮN	<b>Date:</b>		<b>Material:</b>	SPCC t=1.0 to 2.0	
<b>Checked by:</b>	LÊ HOÀNG TUẤN	<b>Date:</b>		<b>Scale:</b>	1:20	
<b>Drawn by:</b>	HUỖNH HỮU ẮN	<b>Date:</b>		<b>Qty/Job:</b>	-	
<b>Approved by:</b>	PHAN QUANG ĐỨC	<b>Date:</b>		<b>Unit:</b>	mm	
<b>File name:</b>	-	<b>Drawing No:</b>	2			

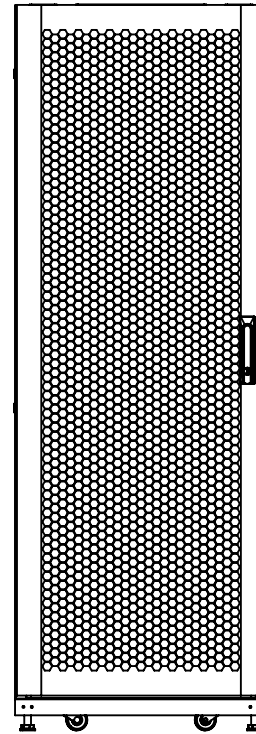
**FRONT VIEW**



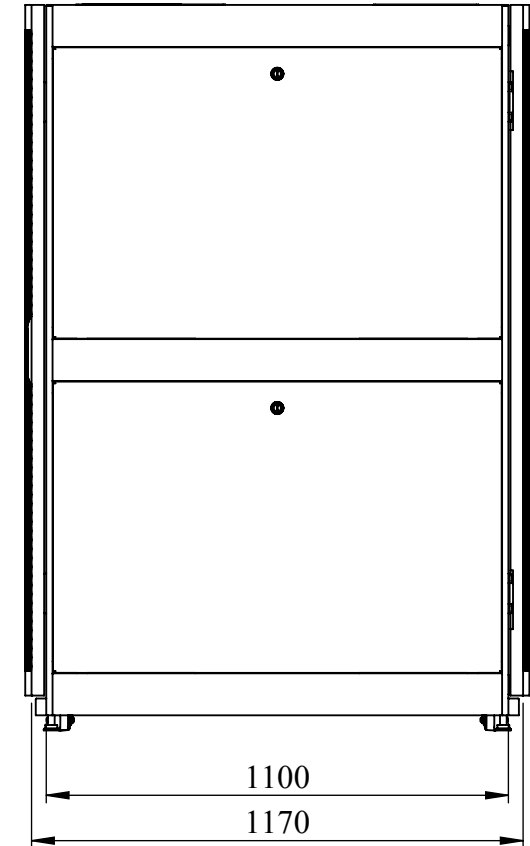
**FRONT VIEW  
(REMOVED DOOR)**



**BACK VIEW**



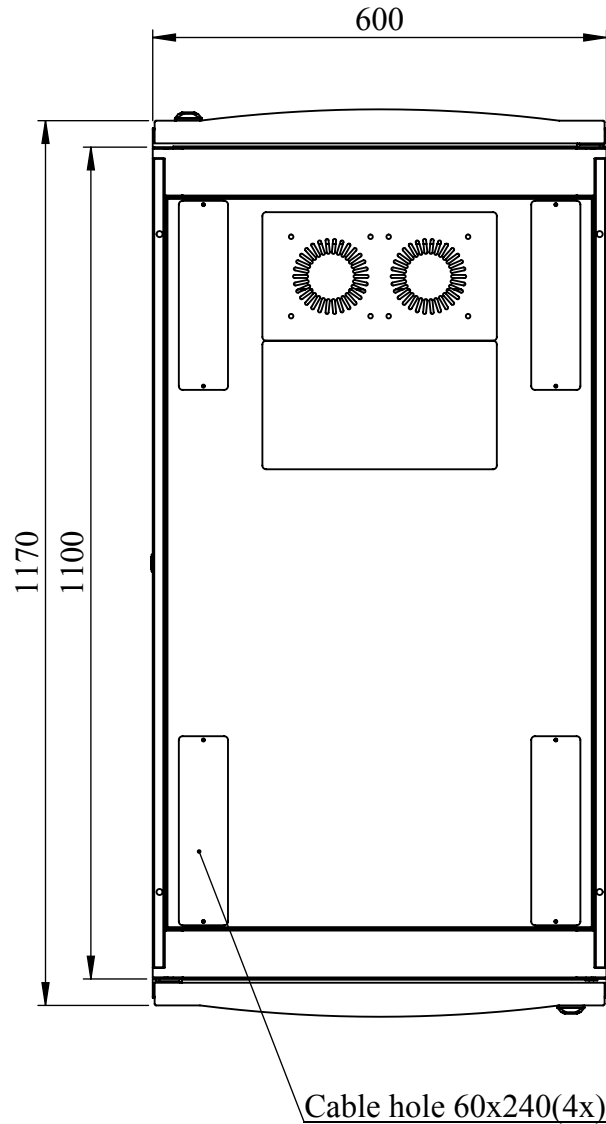
**SIDE VIEW**



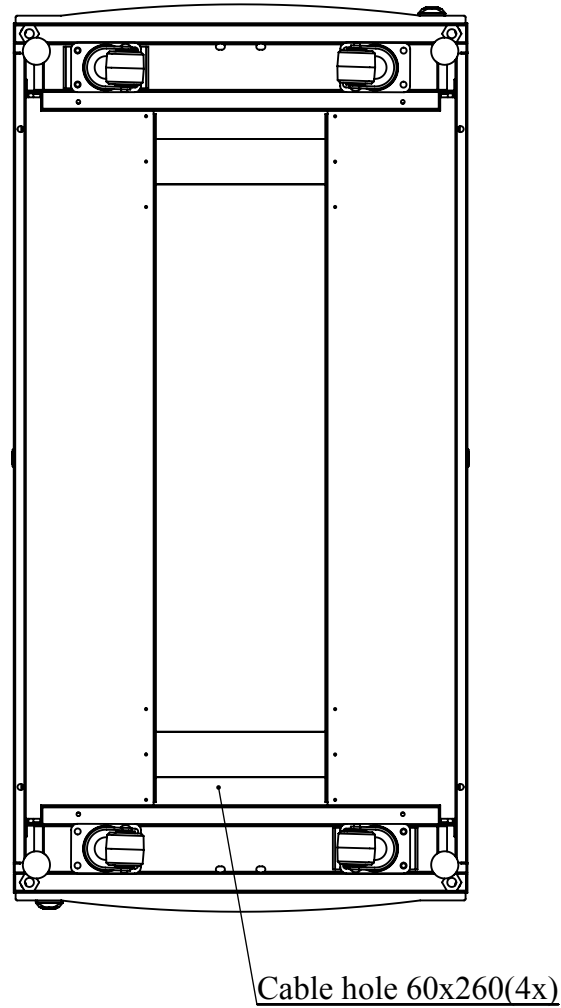
ANH MINH TECHNOLOGY COMPANY LIMITED-AMTEC CO.,LTD  
 17/3, Binh Quoi A, Binh Chuan, Thuan An, Binh Duong, Viet Nam  
 Tel: (84-650) 3612177 Fax: (84-650) 3612178  
 Email: info@amtec.com.vn Web: www.amtec.com.vn

<b>Customer:</b>	-	<b>Drawing title:</b>	AMRACK CABINET 36U 600x1100		<b>Part No:</b>	AMR36-6110	
<b>Design by:</b> HUỖNH HỮU AN	<b>Date:</b>	<b>Checked by:</b> LÊ HOÀNG TUẤN	<b>Date:</b>	<b>Material:</b> SPCC t=1.0 to 2.0	<b>Scale:</b> 1:18	<b>Sheet No:</b>	
<b>Drawn by:</b> HUỖNH HỮU AN	<b>Date:</b>	<b>Approved by:</b> PHAN QUANG ĐỨC	<b>Date:</b>	<b>Qty/Job:</b> -	<b>Unit:</b> mm	7	
<b>File name:</b>	-	<b>Drawing No:</b>	3				

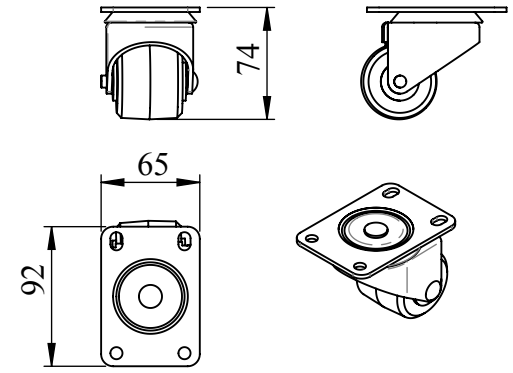
**TOP VIEW**



**BOTTOM VIEW**

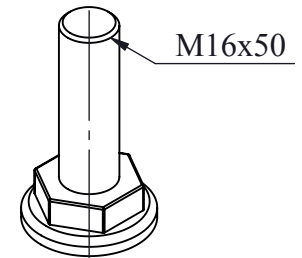


**Caster**



Max load 1000kg

**Level feet**



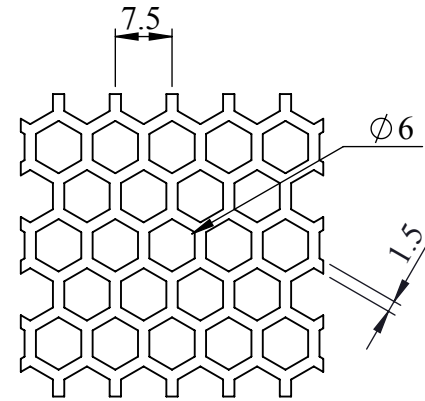
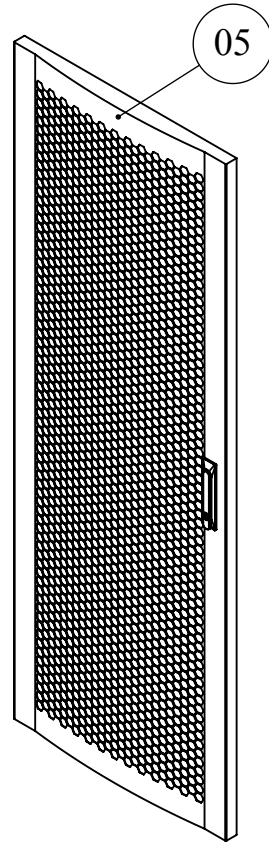
Max load 1350kg



ANH MINH TECHNOLOGY COMPANY LIMITED-AMTEC CO.,LTD  
 17/3, Binh Quoi A, Binh Chuan, Thuan An, Binh Duong, Viet Nam  
 Tel: (84-650) 3612177 Fax: (84-650) 3612178  
 Email: info@amtec.com.vn Web: www.amtec.com.vn

<b>Customer:</b>	-	<b>Drawing title:</b>	AMRACK CABINET 36U 600x1100	<b>Part No:</b>	AMR36-6110	<p><b>Sheet No:</b> 7</p>						
<b>Design by:</b>	HUỖNH HỮU ẮN	<b>Date:</b>		<b>Checked by:</b>	LÊ HOÀNG TUẤN		<b>Date:</b>		<b>Material:</b>	SPCC t=1.0 to 2.0	<b>Scale:</b>	1:50
<b>Drawn by:</b>	HUỖNH HỮU ẮN	<b>Date:</b>		<b>Approved by:</b>	PHAN QUANG ĐỨC		<b>Date:</b>		<b>Qty/Job:</b>	-	<b>Unit:</b>	mm
<b>File name:</b>	-			<b>Drawing No:</b>	4							

**DETAIL ITEM:**



**DETAIL A: HEXAGON**  
**>65% PERFORATED DOOR**

**FONT DOOR - REAR DOOR**



**SWINGHANDLE KEY**

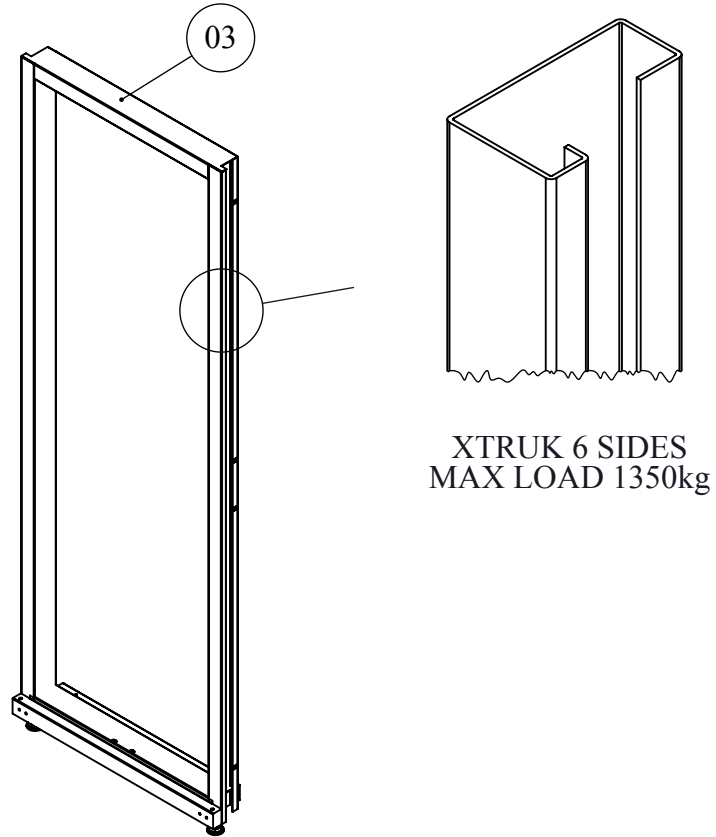


ANH MINH TECHNOLOGY COMPANY LIMITED-AMTEC CO.,LTD  
 17/3, Binh Quoi A, Binh Chuan, Thuan An, Binh Duong, Viet Nam  
 Tel: (84-650) 3612177 Fax: (84-650) 3612178  
 Email: info@amtec.com.vn Web: www.amtec.com.vn

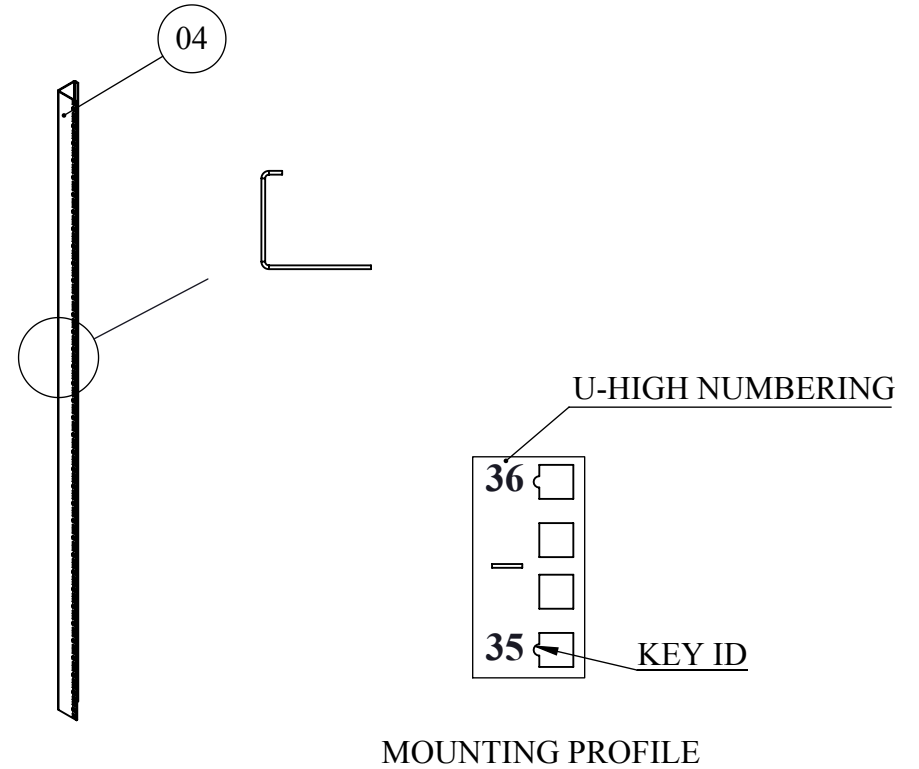
<b>Customer:</b>	-	<b>Drawing title:</b>	AMRACK CABINET 36U 600x1100		<b>Part No:</b>	AMR36-6110		
<b>Design by:</b>	HUỖNH HỮU ẮN	<b>Date:</b>		<b>Checked by:</b>	LÊ HOÀNG TUẮN	<b>Date:</b>		
<b>Drawn by:</b>	HUỖNH HỮU ẮN	<b>Date:</b>		<b>Approved by:</b>	PHAN QUANG ĐỨC	<b>Date:</b>		
<b>Material:</b>	SPCC t=1.0 to 2.0	<b>Scale:</b>	1:15	<b>Qty/Job:</b>	-	<b>Unit:</b>		mm
<b>File name:</b>	-	<b>Drawing No:</b>	5		<b>Sheet No:</b>	7		

# DETAIL ITEM:

## FRAME



## PROFILE BAR



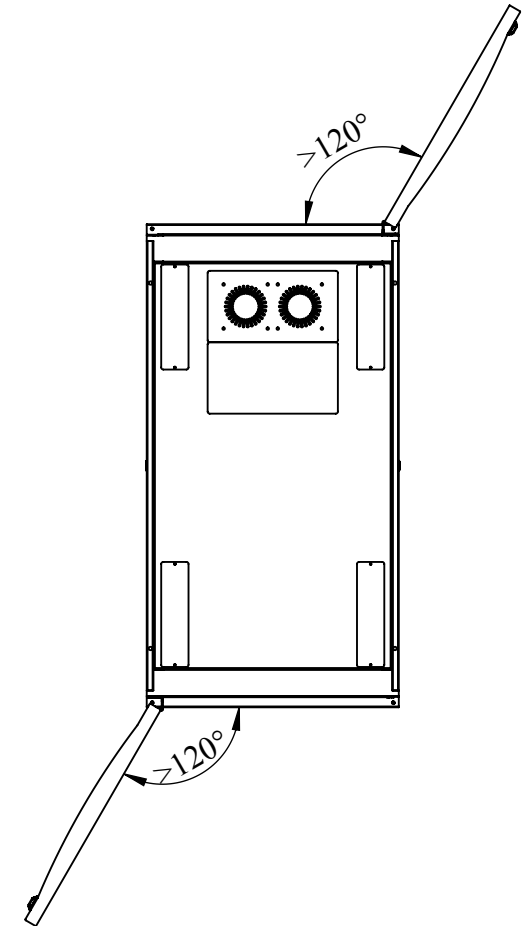
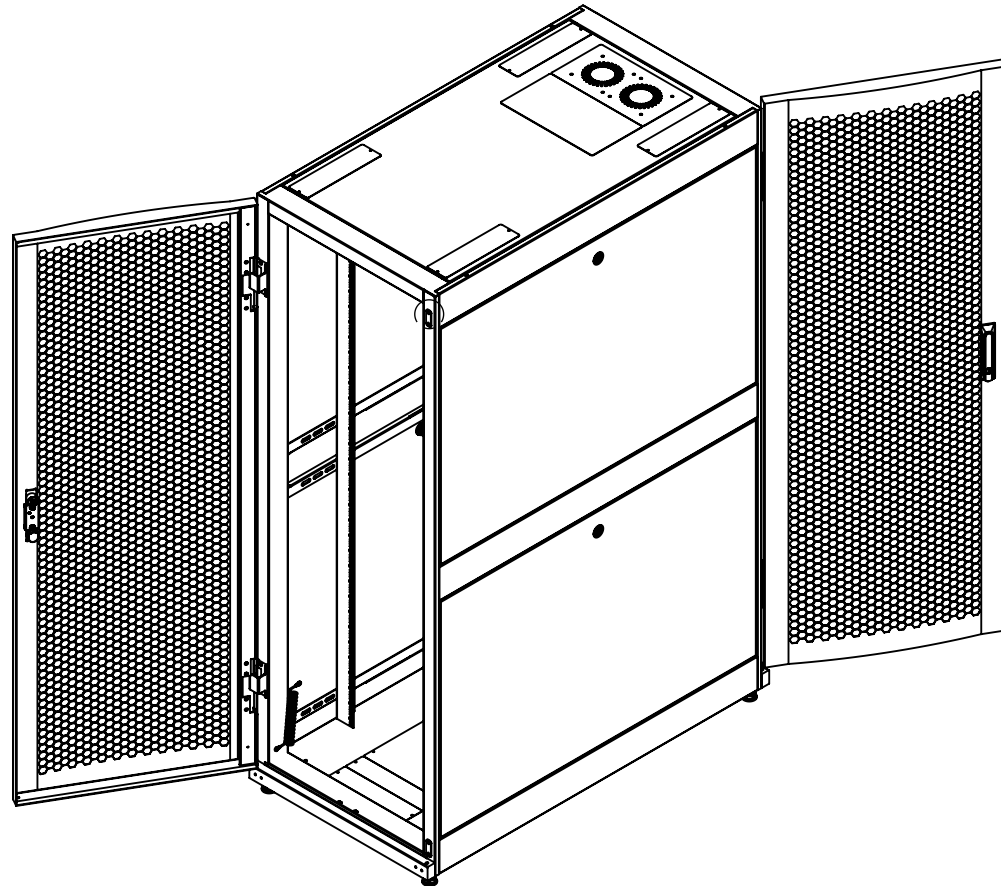
ANH MINH TECHNOLOGY COMPANY LIMITED-AMTEC CO.,LTD  
17/3, Binh Quoi A, Binh Chuan, Thuan An, Binh Duong, Viet Nam  
Tel: (84-650) 3612177 Fax: (84-650) 3612178  
Email: info@amtec.com.vn Web: www.amtec.com.vn

<b>Customer:</b>	-	<b>Drawing title:</b>	AMRACK CABINET 36U 600x1100	<b>Part No:</b>	AMR36-6110		
<b>Design by:</b> HUỖNH HỮU AN	<b>Date:</b>	<b>Checked by:</b> LÊ HOÀNG TUẤN	<b>Date:</b>	<b>Material:</b> SPCC t=1.0 to 2.0	<b>Scale:</b> 1:16		<b>Sheet No:</b>
<b>Drawn by:</b> HUỖNH HỮU AN	<b>Date:</b>	<b>Approved by:</b> PHAN QUANG ĐỨC	<b>Date:</b>	<b>Qty/Job:</b> -	<b>Unit:</b> mm		7
<b>File name:</b>	-	<b>Drawing No:</b>	6				

# ISOMETRIC VIEW

# TOP VIEW

Góc mở cửa trước và sau >120 độ



ANH MINH TECHNOLOGY COMPANY LIMITED-AMTEC CO.,LTD  
 17/3, Binh Quoi A, Binh Chuan, Thuan An, Binh Duong, Viet Nam  
 Tel: (84-650) 3612177 Fax: (84-650) 3612178  
 Email: info@amtec.com.vn Web: www.amtec.com.vn

<b>Customer:</b>	-	<b>Drawing title:</b>	AMRACK CABINET 36U 600x1100		<b>Part No:</b>	AMR36-6110				
<b>Design by:</b>	HUỖNH HỮU AN	<b>Date:</b>	-	<b>Checked by:</b>	LÊ HOÀNG TUẤN	<b>Date:</b>		-	<b>Material:</b> SPCC t=1.0 to 2.0 <b>Scale:</b> 1:18 <b>Qty/Job:</b> - <b>Unit:</b> mm	<b>Sheet No:</b> 7
<b>Drawn by:</b>	HUỖNH HỮU AN	<b>Date:</b>	-	<b>Approved by:</b>	PHAN QUANG ĐỨC	<b>Date:</b>		-		
<b>File name:</b>	-	<b>Drawing No:</b>	7							