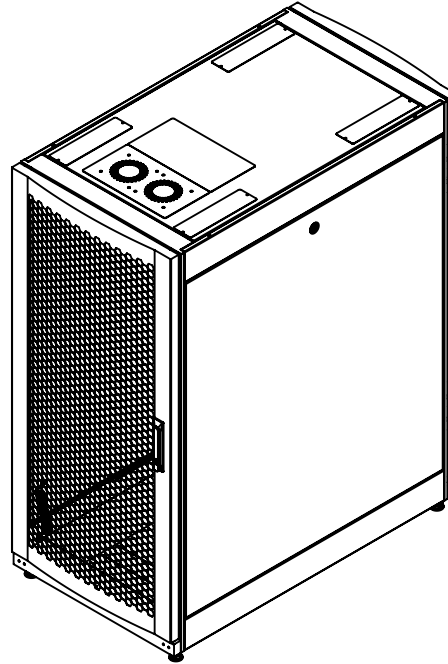
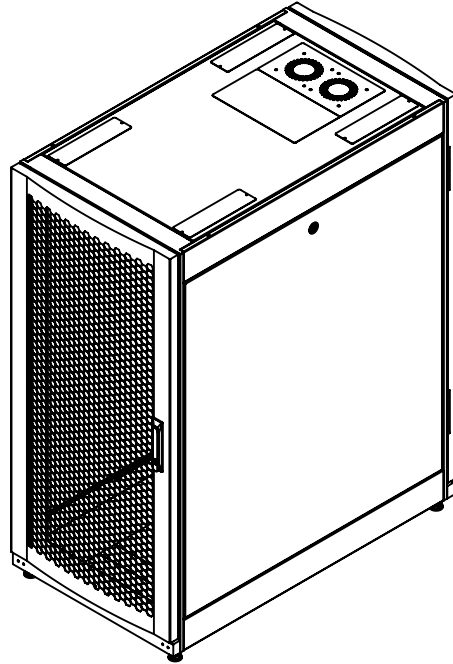


FRONT&RIGHT VIEW

REAR&LEFT VIEW



Thông số kỹ thuật:

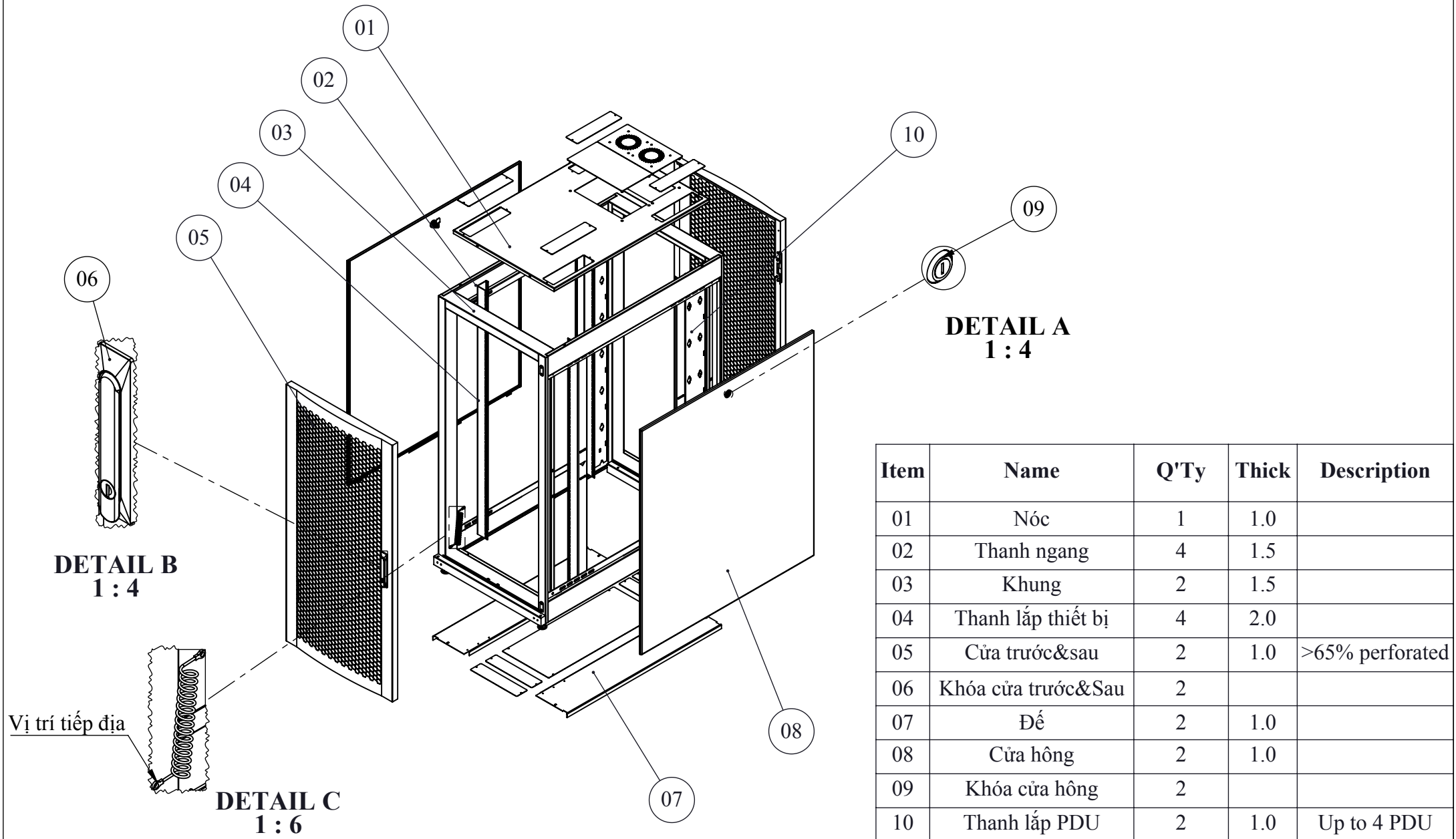
1	Các tiêu chuẩn	. ISO 9001:2015 . ISO 14001:2015 . EN/IEC 62368-1, RoHS . ANSI/EIA 310-D, phần A . DIN 41494 . BS5954 phần 2 . IEC 60297-1, IEC 60297-2 . IP20
2	Vật liệu	- Thép Posso/JSVC - Loại SPCC
3	Tải trọng	. Trên các bánh xe 1000 kg. . Trên các chân đế 1350 kg.
4	Độ thông thoáng	Cửa lưới lục giác trước&sau thông thoáng >65%
5	Màu sơn	Sơn tĩnh điện màu đen, chống bám bụi



ANH MINH TECHNOLOGY COMPANY LIMITED-AMTEC CO.,LTD
17/3, Binh Quoi A, Binh Chuan, Thuan An, Binh Duong, Viet Nam
Tel: (84-650) 3612177 Fax: (84-650) 3612178
Email: info@amtec.com.vn Web: www.amtec.com.vn

Customer:	-	Drawing title:	AMRACK CABINET 27U 600x1000		Part No:	AMR27-6100	
Design by: HUỖNH HỮU AN	Date:	Checked by: LÊ HOÀNG TUẤN	Date:	Material: SPCC t=1.0 to 2.0	Scale: 1:20	Sheet No:	
Drawn by: HUỖNH HỮU AN	Date:	Approved by: PHAN QUANG ĐỨC	Date:	Qty/Job: -	Unit: mm		
File name:	-	Drawing No:	1				

EXPLODE VIEW



Item	Name	Q'Ty	Thick	Description
01	Nóc	1	1.0	
02	Thanh ngang	4	1.5	
03	Khung	2	1.5	
04	Thanh lắp thiết bị	4	2.0	
05	Cửa trước&sau	2	1.0	>65% perforated
06	Khóa cửa trước&Sau	2		
07	Đế	2	1.0	
08	Cửa hông	2	1.0	
09	Khóa cửa hông	2		
10	Thanh lắp PDU	2	1.0	Up to 4 PDU

amtec
 ANH MINH TECHNOLOGY COMPANY LIMITED-AMTEC CO.,LTD
 17/3, Binh Quoi A, Binh Chuan, Thuan An, Binh Duong, Viet Nam
 Tel: (84-650) 3612177 Fax: (84-650) 3612178
 Email: info@amtec.com.vn Web: www.amtec.com.vn

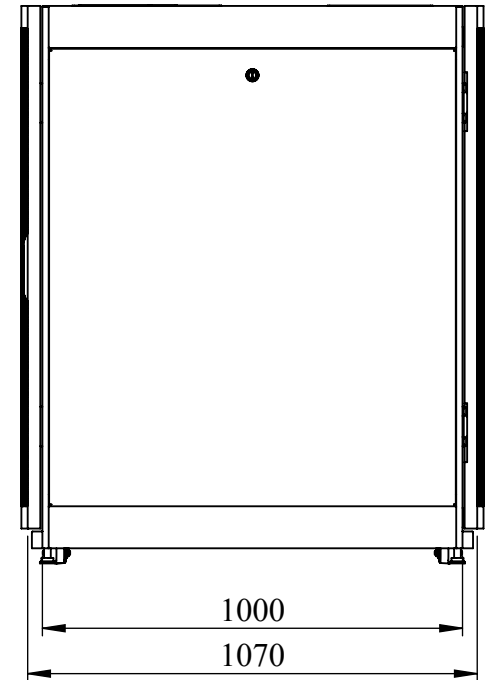
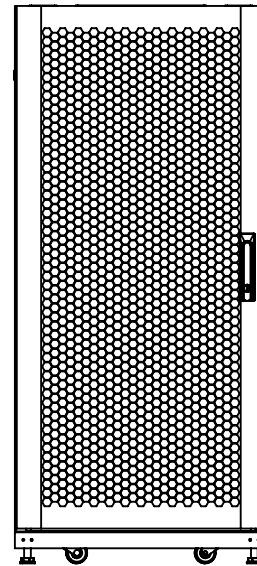
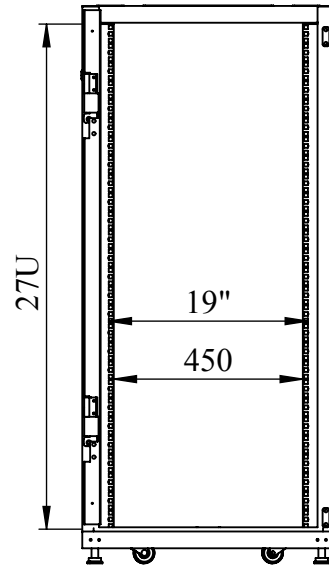
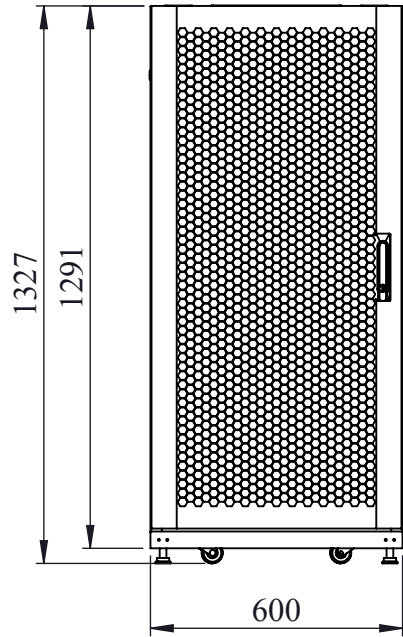
Customer:	-	Drawing title:	AMRACK CABINET 27U 600x1000		Part No:	AMR27-6100			
Design by:	HUỲNH HỮU AN	Date:		Checked by:	LÊ HOÀNG TUẤN	Date:			
Drawn by:	HUỲNH HỮU AN	Date:		Approved by:	PHAN QUANG ĐỨC	Date:			
File name:	-	Drawing No:	2		Material:	SPCC t=1.0 to 2.0	Scale:		1:20
					Qty/Job:	-	Unit:	mm	Sheet No:
								7	

FRONT VIEW

**FRONT VIEW
(REMOVED DOOR)**

BACK VIEW

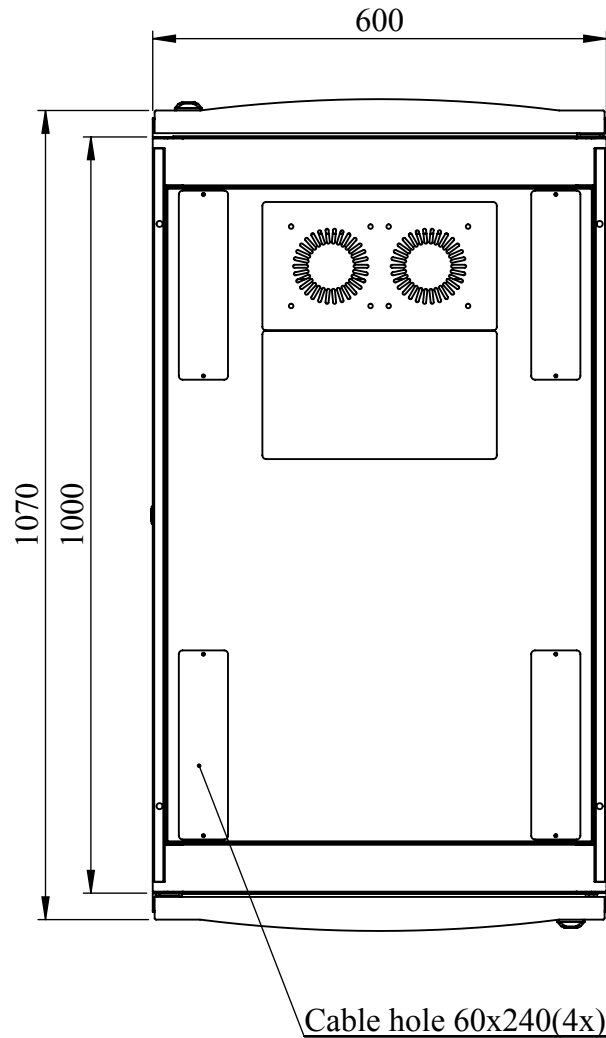
SIDE VIEW



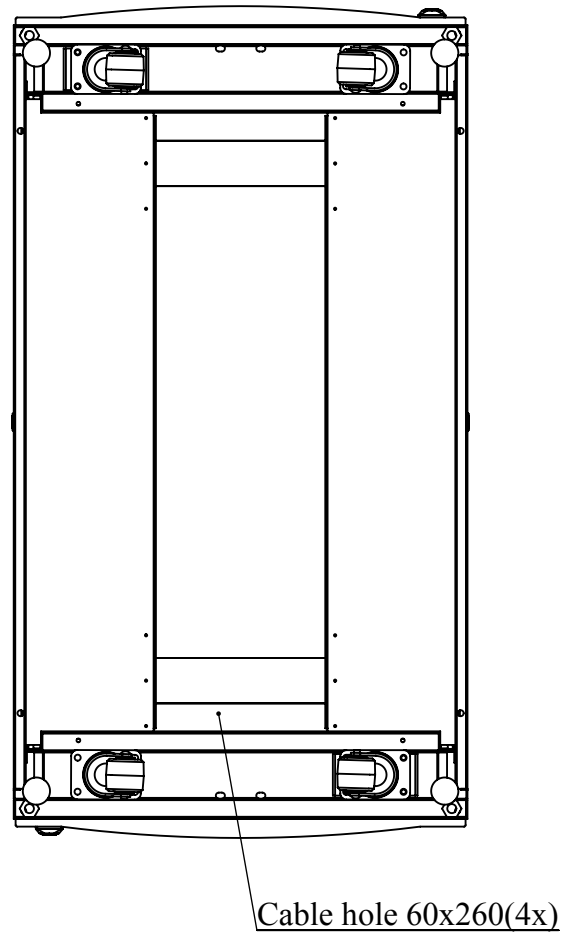
ANH MINH TECHNOLOGY COMPANY LIMITED-AMTEC CO.,LTD
 17/3, Binh Quoi A, Binh Chuan, Thuan An, Binh Duong, Viet Nam
 Tel: (84-650) 3612177 Fax: (84-650) 3612178
 Email: info@amtec.com.vn Web: www.amtec.com.vn

Customer:	-	Drawing title:	AMRACK CABINET 27U 600x1000		Part No:	AMR27-6100				
Design by:	HUỖNH HỮU AN	Date:		Checked by:	LÊ HOÀNG TUẤN	Date:		Material: SPCC t=1.0 to 2.0	Scale: 1:18	Sheet No: 7
Drawn by:	HUỖNH HỮU AN	Date:		Approved by:	PHAN QUANG ĐỨC	Date:		Qty/Job: -	Unit: mm	
File name:	-			Drawing No:	3					

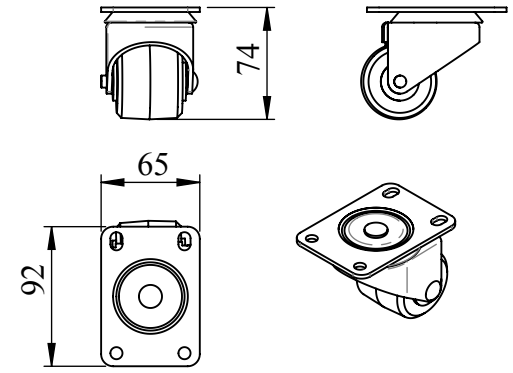
TOP VIEW



BOTTOM VIEW

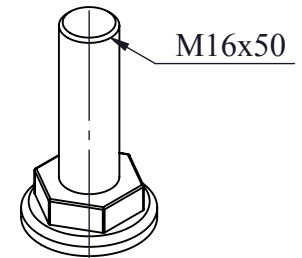


Caster



Max load 1000kg

Level feet



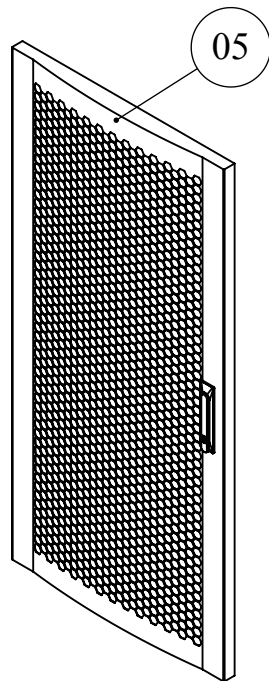
Max load 1350kg



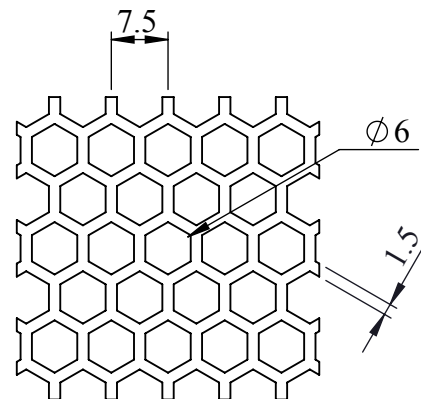
ANH MINH TECHNOLOGY COMPANY LIMITED-AMTEC CO.,LTD
 17/3, Binh Quoi A, Binh Chuan, Thuan An, Binh Duong, Viet Nam
 Tel: (84-650) 3612177 Fax: (84-650) 3612178
 Email: info@amtec.com.vn Web: www.amtec.com.vn

Customer:	-	Drawing title:	AMRACK CABINET 27U 600x1000		Part No:	AMR27-6100	<p>Sheet No: 7</p>		
Design by:	HUỖNH HỮU ẮN	Date:		Checked by:	LÊ HOÀNG TUẤN	Date:		Material: SPCC t=1.0 to 2.0	Scale: 1:50
Drawn by:	HUỖNH HỮU ẮN	Date:		Approved by:	PHAN QUANG ĐỨC	Date:		Qty/Job: -	Unit: mm
File name:	-			Drawing No:	4				

DETAIL ITEM:



FONT DOOR - REAR DOOR



DETAIL A: HEXAGON
>65% PERFORATED DOOR



SWINGHANDLE KEY

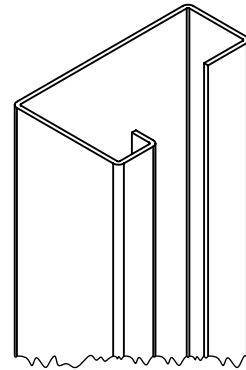
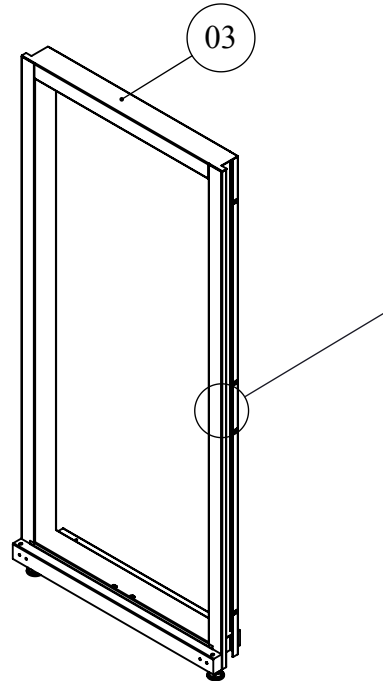


ANH MINH TECHNOLOGY COMPANY LIMITED-AMTEC CO.,LTD
17/3, Binh Quoi A, Binh Chuan, Thuan An, Binh Duong, Viet Nam
Tel: (84-650) 3612177 Fax: (84-650) 3612178
Email: info@amtec.com.vn Web: www.amtec.com.vn

Customer:	-	Drawing title:	AMRACK CABINET 27U 600x1000	Part No:	AMR27-6100		
Design by: HUỖNH HỮU AN	Date:	Checked by: LÊ HOÀNG TUẤN	Date:	Material: SPCC t=1.0 to 2.0	Scale: 1:15		Sheet No:
Drawn by: HUỖNH HỮU AN	Date:	Approved by: PHAN QUANG ĐỨC	Date:	Qty/Job: -	Unit: mm		7
File name:	-			Drawing No:	5		

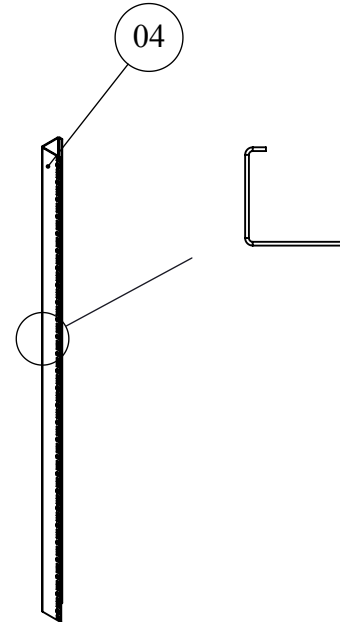
DETAIL ITEM:

FRAME

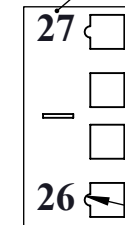


XTRUK 6 SIDES
MAX LOAD 1350kg

PROFILE BAR



U-HIGH NUMBERING



KEY ID

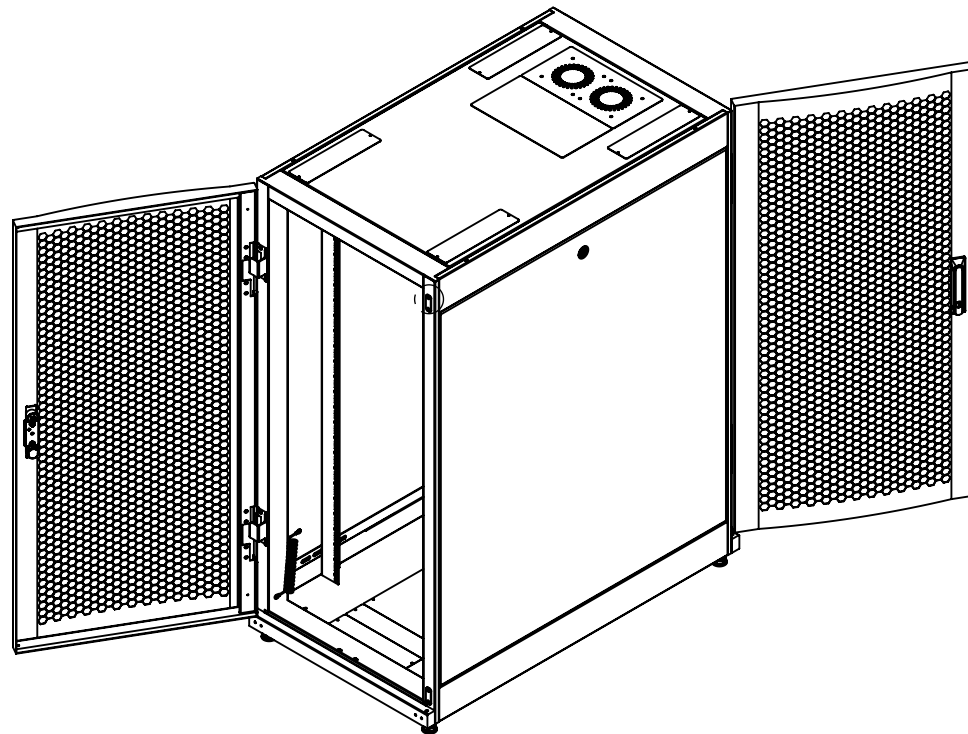
MOUNTING PROFILE



ANH MINH TECHNOLOGY COMPANY LIMITED-AMTEC CO.,LTD
17/3, Binh Quoi A, Binh Chuan, Thuan An, Binh Duong, Viet Nam
Tel: (84-650) 3612177 Fax: (84-650) 3612178
Email: info@amtec.com.vn Web: www.amtec.com.vn

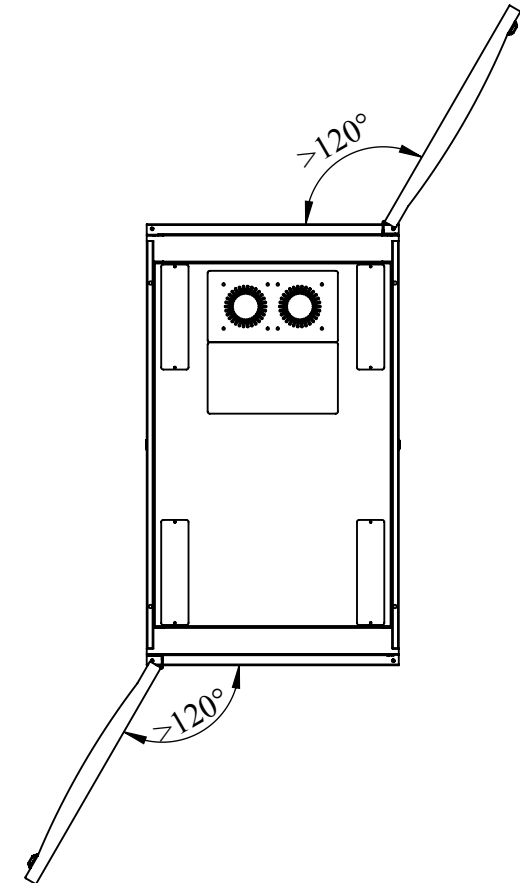
Customer:	-	Drawing title:	AMRACK CABINET 27U 600x1000	Part No:	AMR27-6100	 Sheet No: 7
Design by: HUỖNH HỮU AN	Date:	Checked by: LÊ HOÀNG TUẤN	Date:	Material: SPCC t=1.0 to 2.0	Scale: 1:16	
Drawn by: HUỖNH HỮU AN	Date:	Approved by: PHAN QUANG ĐỨC	Date:	Qty/Job: -	Unit: mm	
File name:	-	Drawing No:	6			

ISOMETRIC VIEW



TOP VIEW

Góc mở cửa trước và sau >120 độ



ANH MINH TECHNOLOGY COMPANY LIMITED-AMTEC CO.,LTD
 17/3, Binh Quoi A, Binh Chuan, Thuan An, Binh Duong, Viet Nam
 Tel: (84-650) 3612177 Fax: (84-650) 3612178
 Email: info@amtec.com.vn Web: www.amtec.com.vn

Customer:	-	Drawing title:	AMRACK CABINET 27U 600x1000		Part No:	AMR27-6100			
Design by:	HUỲNH HỮU AN	Date:	-	Checked by:	LÊ HOÀNG TUẤN	Date:	-		Sheet No:
Drawn by:	HUỲNH HỮU AN	Date:	-	Approved by:	PHAN QUANG ĐỨC	Date:	-		
File name:	-	Drawing No:	7		Material:	SPCC t=1.0 to 2.0	Scale:		1:18
		Qty/Job:	-		Unit:	mm			