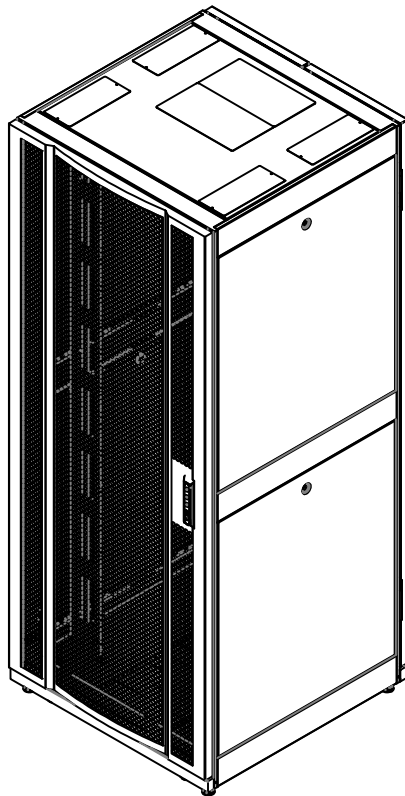
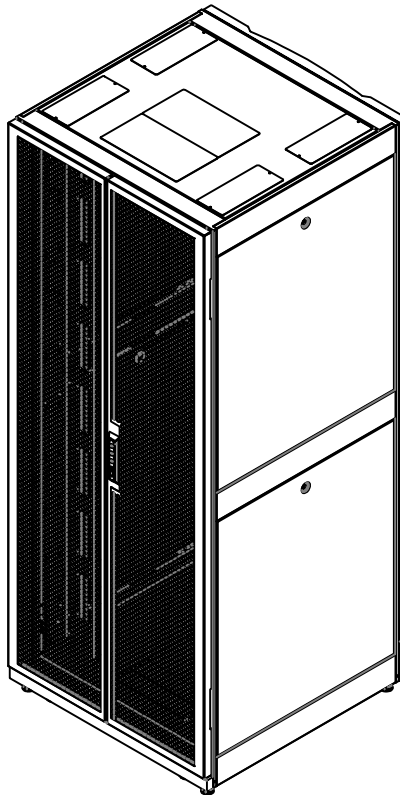


FRONT&RIGHT VIEW



REAR&LEFT VIEW



Thông số kỹ thuật:

1	Các tiêu chuẩn	. ANSI/EIA 310-D, phần A . DIN 41494. . BS 5954 phần 2. . IEC 60297-1, IEC 60297-2 . RoHS. . IP20.
2	Độ dày thép	. Khung 2mm. . Thanh treo thiết bị 2mm. . Cửa trước và sau 1.2mm. . Cửa hông 1mm. . Đế che 1,5mm . Thanh bật nguồn/Quản lý cáp 1mm. . Thanh nối khung trước&sau 2mm.
3	Tải trọng	. Trên các bánh xe 1000 kg. . Trên các chân đế 1500 kg. . Tải trọng trên nóc 80 kg. . Tải trọng trên đế 80 kg.
4	Màu sơn	Sơn tĩnh điện màu đen
5	Độ thông thoáng	Cửa lưới lọc góc trước&sau thông thoáng >80%



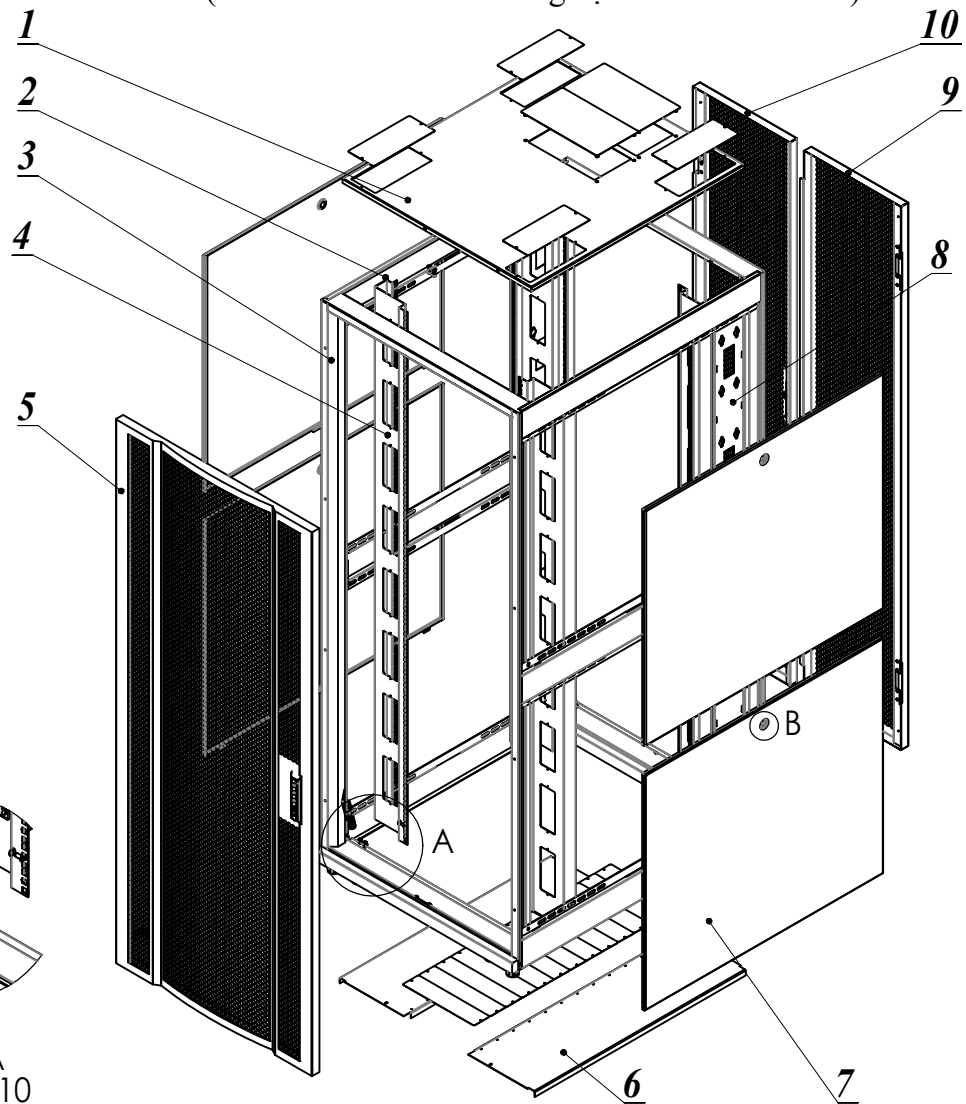
ANH MINH TECHNOLOGY COMPANY LIMITED-AMTEC CO.,LTD
17/3, Binh Quoi A, Binh Chuan, Thuan An, Binh Duong, Viet Nam
Tel: (84-274) 3612177 Fax: (84-274) 3612178
Email: info@amtec.com.vn Web: www.amtec.com.vn

Customer:	-	Drawing title:	AMTEC ROYAL-DC DATACENTER CABINET 42U 800x800		Part No:	AMDC42-880									
Design by:	Nguyễn Xuân Hùng	Date:	06-03-2019	Checked by:	Lê Hoàng Tuấn	Date:	06-03-2019	Material:	SPCC	t	≅ 1 to 2	Scale:	1:20	Sheet No:	07
Drawn by:	Nguyễn Xuân Hùng	Date:	06-03-2019	Approved by:	Phan Quang Đức	Date:	06-03-2019	Qty/Job:	-	Unit:	mm				
File name:								Drawing No:	01						

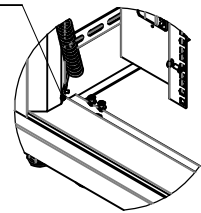
EXPLODE VIEW

(Thiết kế Modular dễ dàng vận hành và thao tác)

②

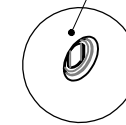


Vị trí tiếp địa
(1 Vị trí cửa trước,
2 vị trí cửa sau)



DETAIL A
SCALE 1 : 10

Khóa cửa hông
(4 cánh dùng chung chìa)



DETAIL B
SCALE 1 : 5

10	Rear door right	1	1.2	>80% perforated
9	Rear door left	1	1.2	>80% perforated
8	Cable management	2	1.0	Up to 4 PDU APC
7	Side door	4	1.0	
6	Base	2	1.5	
5	Front door	1	1.2	>80% perforated
4	Profile bar	4	2.0	
3	Frame	4	2.0	
2	Support bar	6	2.0	
1	Top roof	1	1.2	
Item	Name	Q'TY	Thick	Description



ANH MINH TECHNOLOGY COMPANY LIMITED-AMTEC CO.,LTD
17/3, Binh Quoi A, Binh Chuan, Thuan An, Binh Duong, Viet Nam
Tel: (84-274) 3612177 Fax: (84-274) 3612178
Email: info@amtec.com.vn Web: www.amtec.com.vn

Customer: -

Drawing title:
AMTEC ROYAL-DC DATACENTER CABINET
42U 800x800

Part No:
AMDC42-880



Design by: Nguyễn Xuân Hùng Date: 06-03-2019

Checked by: Lê Hoàng Tuấn Date: 06-03-2019

Material: SPCC t= 1 to 2

Scale: 1:20

Sheet No:

Drawn by: Nguyễn Xuân Hùng Date: 06-03-2019

Approved by: Phan Quang Đức Date: 06-03-2019

Qty/Job: -

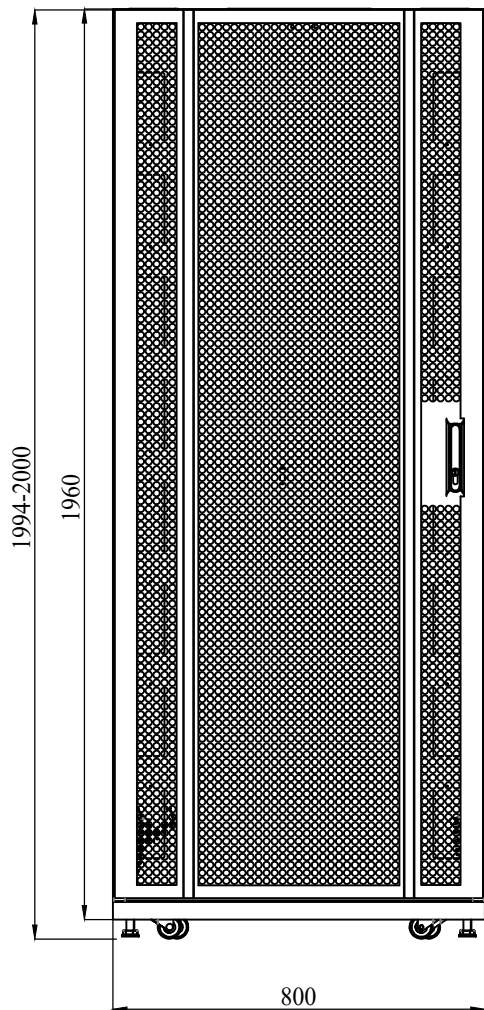
Unit: mm

07

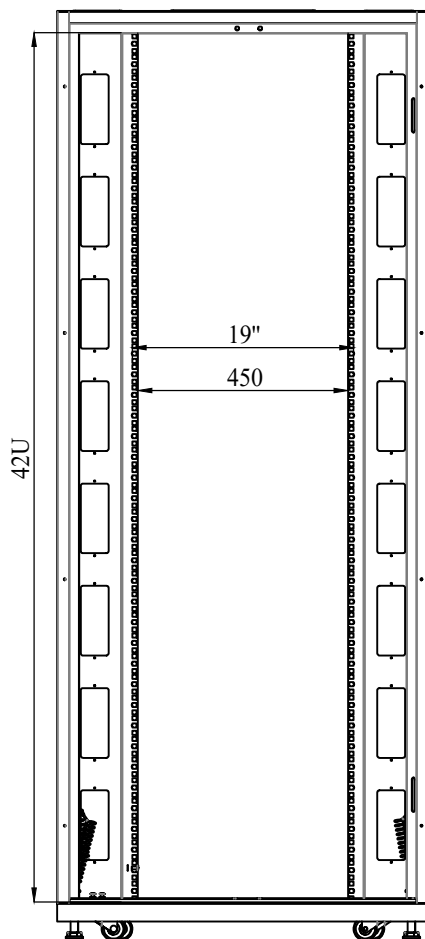
File name:

Drawing No: 02

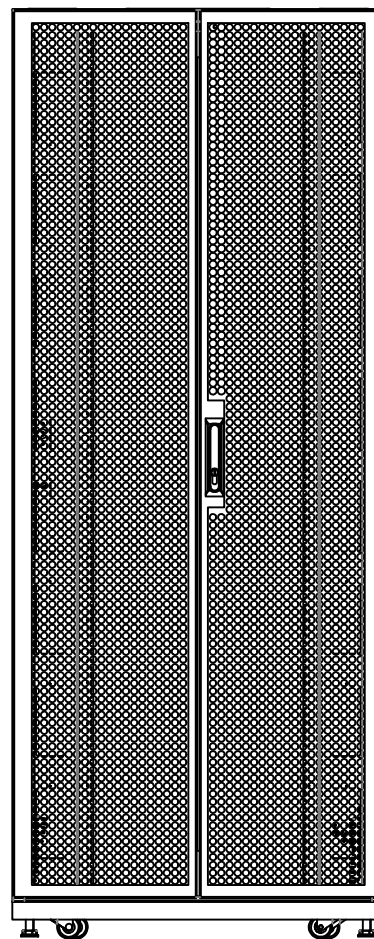
FRONT VIEW



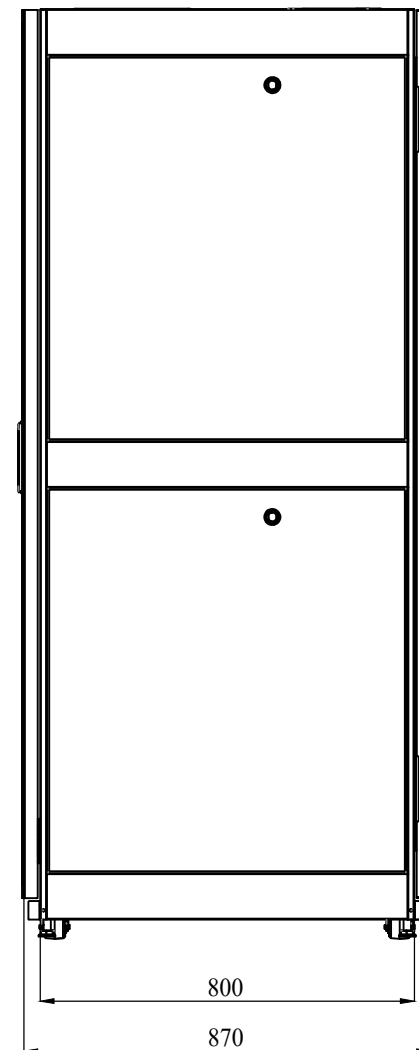
**FRONT VIEW
(REMOVED DOOR)**



REAR VIEW



SIDE VIEW



3



ANH MINH TECHNOLOGY COMPANY LIMITED-AMTEC CO.,LTD
 17/3, Binh Quoi A, Binh Chuan, Thuan An, Binh Duong, Viet Nam
 Tel: (84-274) 3612177 Fax: (84-274) 3612178
 Email: info@amtec.com.vn Web: www.amtec.com.vn

Customer: -
Design by: Nguyễn Xuân Hùng **Date:** 06-03-2019
Drawn by: Nguyễn Xuân Hùng **Date:** 06-03-2019
File name:

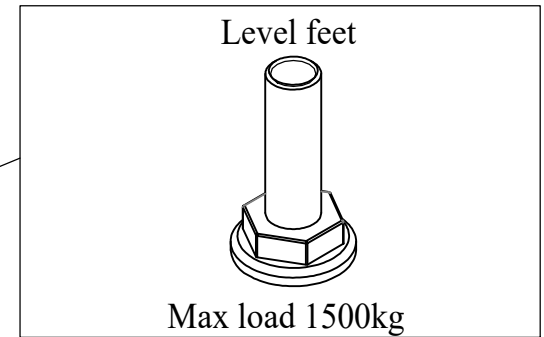
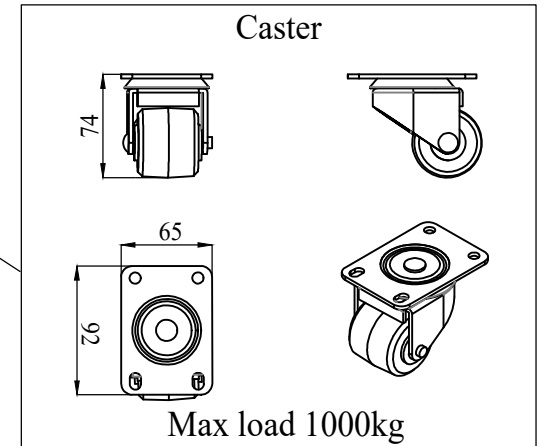
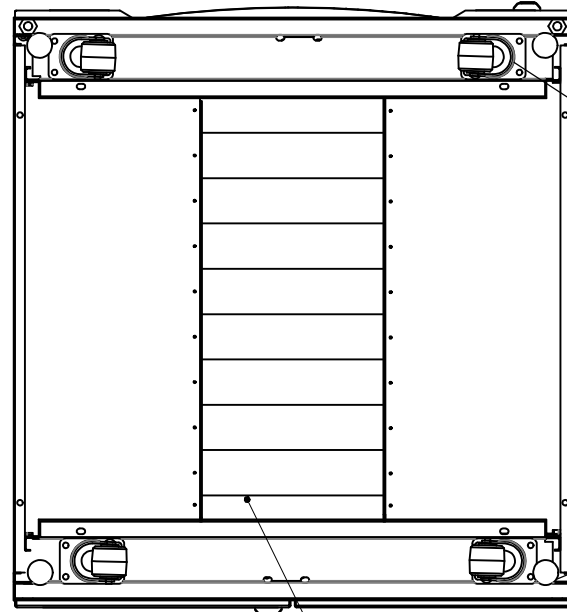
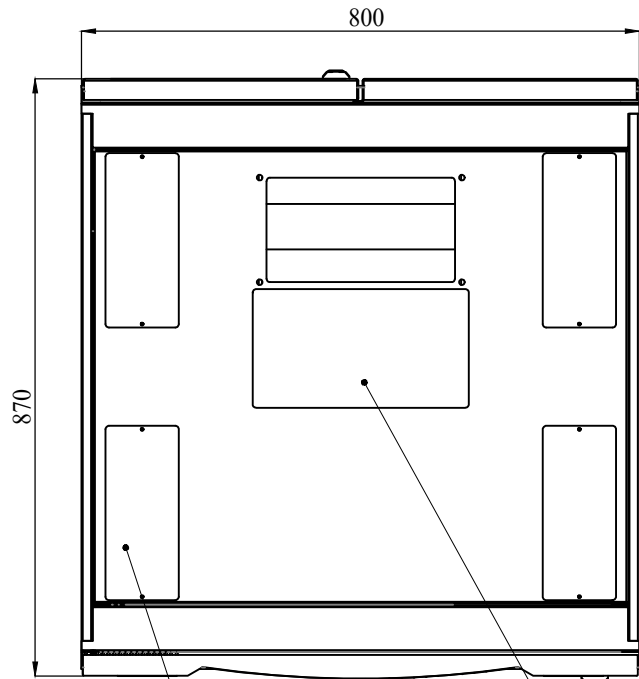
Drawing title: AMTEC ROYAL-DC DATACENTER CABINET
 42U 800x800
Checked by: Lê Hoàng Tuấn **Date:** 06-03-2019
Approved by: Phan Quang Đức **Date:** 06-03-2019

Part No: AMDC42-880
Material: SPCC t=1.0 2 **Scale:** 1:15
Qty/Job: - **Unit:** mm
Drawing No: 03

Sheet No: 07

TOP VIEW

BOTTOM VIEW



Cable hole 100x240 (4x)

Cable hole 150x270 (2x)

Cable hole 60x270



ANH MINH TECHNOLOGY COMPANY LIMITED-AMTEC CO.,LTD
 17/3, Binh Quoi A, Binh Chuan, Thuan An, Binh Duong, Viet Nam
 Tel: (84-274) 3612177 Fax: (84-274) 3612178
 Email: info@amtec.com.vn Web: www.amtec.com.vn

Customer:	-
Design by:	Nguyễn Xuân Hùng
Date:	06-03-2019
Drawn by:	Nguyễn Xuân Hùng
Date:	06-03-2019
File name:	

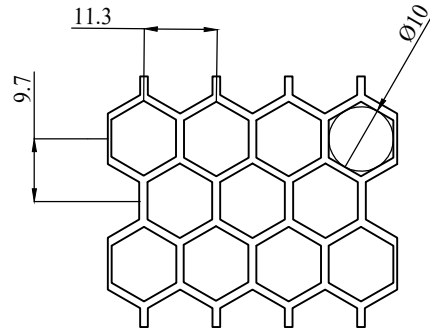
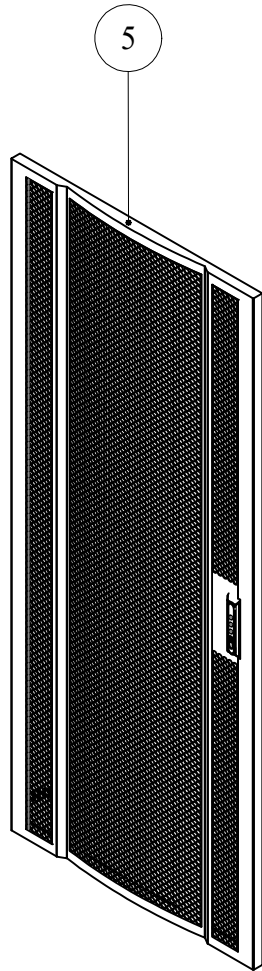
Drawing title:	AMTEC ROYAL-DC DATACENTER CABINET 42U 800x800
Checked by:	Lê Hoàng Tuấn
Date:	06-03-2019
Approved by:	Phan Quang Đức
Date:	06-03-2019

Part No:	AMDC42-880
Material:	SPCC t=1 to 2
Scale:	1:10
Qty/Job:	-
Unit:	mm
Drawing No:	04

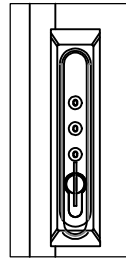
	Sheet No:
	07

DETAIL ITEM: 5-9-10

5

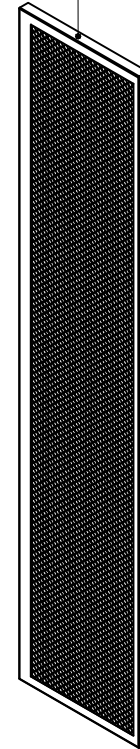


>80% HEXAGON PERFORATED DOOR

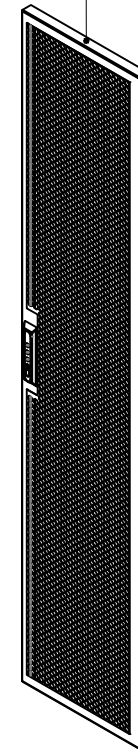


SWINGHANDLE KEY

9



10

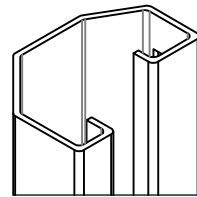
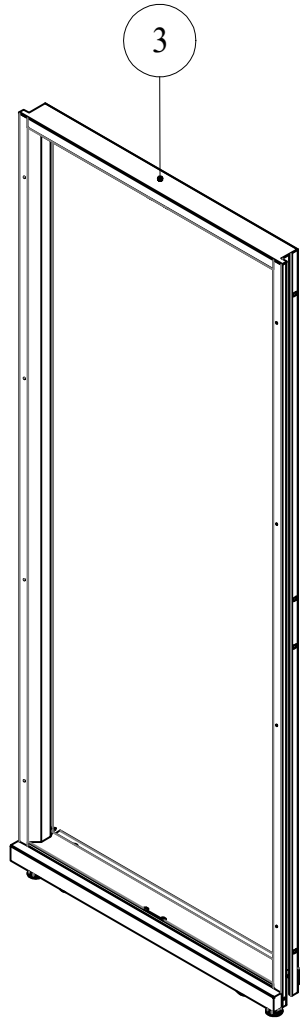


ANH MINH TECHNOLOGY COMPANY LIMITED-AMTEC CO.,LTD
 17/3, Binh Quoi A, Binh Chuan, Thuan An, Binh Duong, Viet Nam
 Tel: (84-274) 3612177 Fax: (84-274) 3612178
 Email: info@amtec.com.vn Web: www.amtec.com.vn

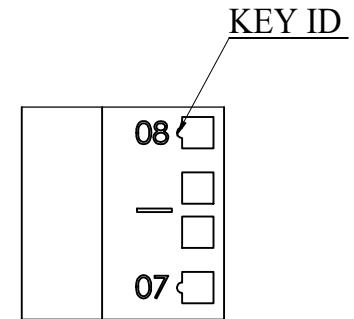
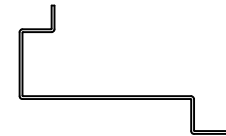
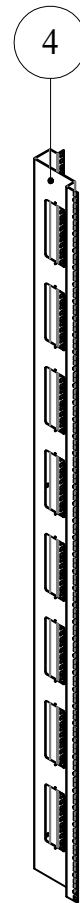
Customer:	-	Drawing title:	AMTEC ROYAL-DC DATACENTER CABINET 42U 800x800		Part No:	AMDC42-880							
Design by:	Nguyễn Xuân Hùng	Date:	06-03-2019	Checked by:	Lê Hoàng Tuấn	Date:		06-03-2019	Material:	SPCC t=1 to 2	Scale:	1:15	Sheet No:
Drawn by:	Nguyễn Xuân Hùng	Date:	06-03-2019	Approved by:	Phan Quang Đức	Date:		06-03-2019	Qty/Job:	-	Unit:	mm	
File name:				Drawing No:	05								

DETAIL ITEM: 3-4

6



XTRUK 9 SIDES
MAX LOAD 1500kg



MOUNTING PROFILE
WITH KEY ID&U-HIGH
NUMBERING

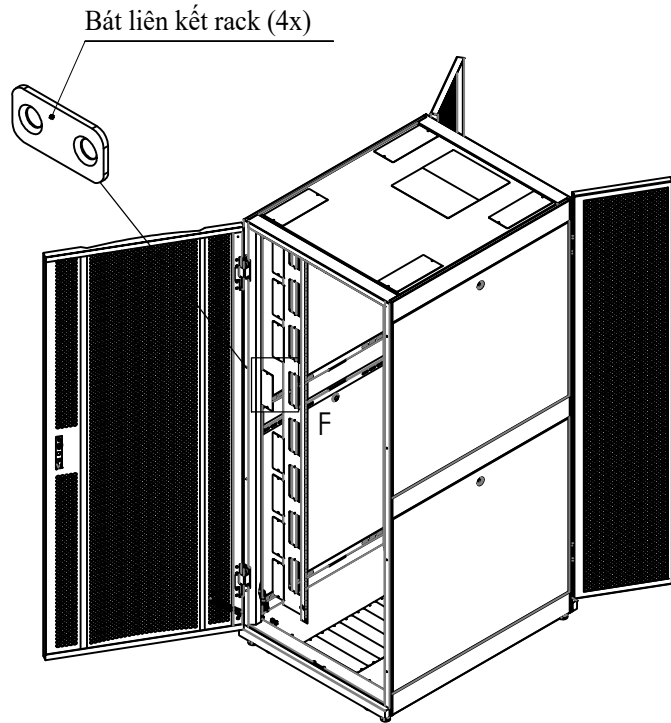
Thanh bắt thiết bị 6 cạnh vững chắc
và được đánh số rõ ràng từng U từ thấp đến cao



ANH MINH TECHNOLOGY COMPANY LIMITED-AMTEC CO.,LTD
17/3, Binh Quoi A, Binh Chuan, Thuan An, Binh Duong, Viet Nam
Tel: (84-274) 3612177 Fax: (84-274) 3612178
Email: info@amtec.com.vn Web: www.amtec.com.vn

Customer:	-	Drawing title:	AMTEC ROYAL-DC DATACENTER CABINET 42U 800x800		Part No:	AMDC42-880							
Design by:	Nguyễn Xuân Hùng	Date:	06-03-2019	Checked by:	Lê Hoàng Tuấn	Date:	06-03-2019		Material:	SPCC t=1 to 2	Scale:	1:15	Sheet No:
Drawn by:	Nguyễn Xuân Hùng	Date:	06-03-2019	Approved by:	Phan Quang Đức	Date:	06-03-2019	Qty/Job:	-	Unit:	mm		
File name:				Drawing No:	06								

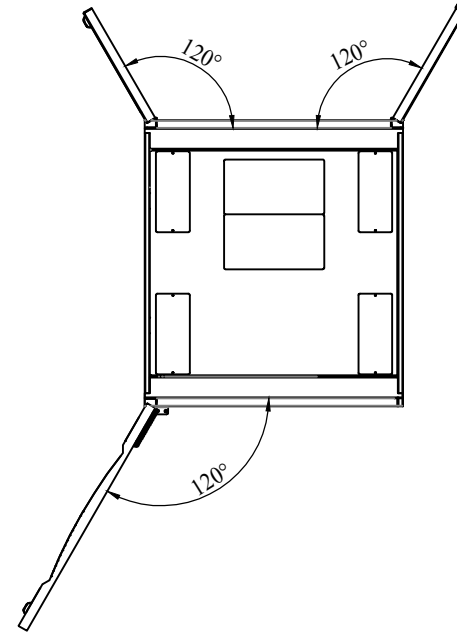
ISOMETRIC VIEW



TOP VIEW

⑦

Góc mở cửa trước và sau 120 độ



ANH MINH TECHNOLOGY COMPANY LIMITED-AMTEC CO.,LTD
 17/3, Binh Quoi A, Binh Chuan, Thuan An, Binh Duong, Viet Nam
 Tel: (84-274) 3612177 Fax: (84-274) 3612178
 Email: info@amtec.com.vn Web: www.amtec.com.vn

Customer:	-	Drawing title:	AMTEC ROYAL-DC DATACENTER CABINET 42U 800x800		Part No:	AMDC42-880							
Design by:	Nguyễn Xuân Hùng	Date:	06-03-2019	Checked by:	Lê Hoàng Tuấn	Date:	06-03-2019		Material:	SPCC t=1 to 2	Scale:	1:25	Sheet No:
Drawn by:	Nguyễn Xuân Hùng	Date:	06-03-2019	Approved by:	Phan Quang Đức	Date:	06-03-2019		Qty/Job:	-	Unit:	mm	
File name:				Drawing No:	07								