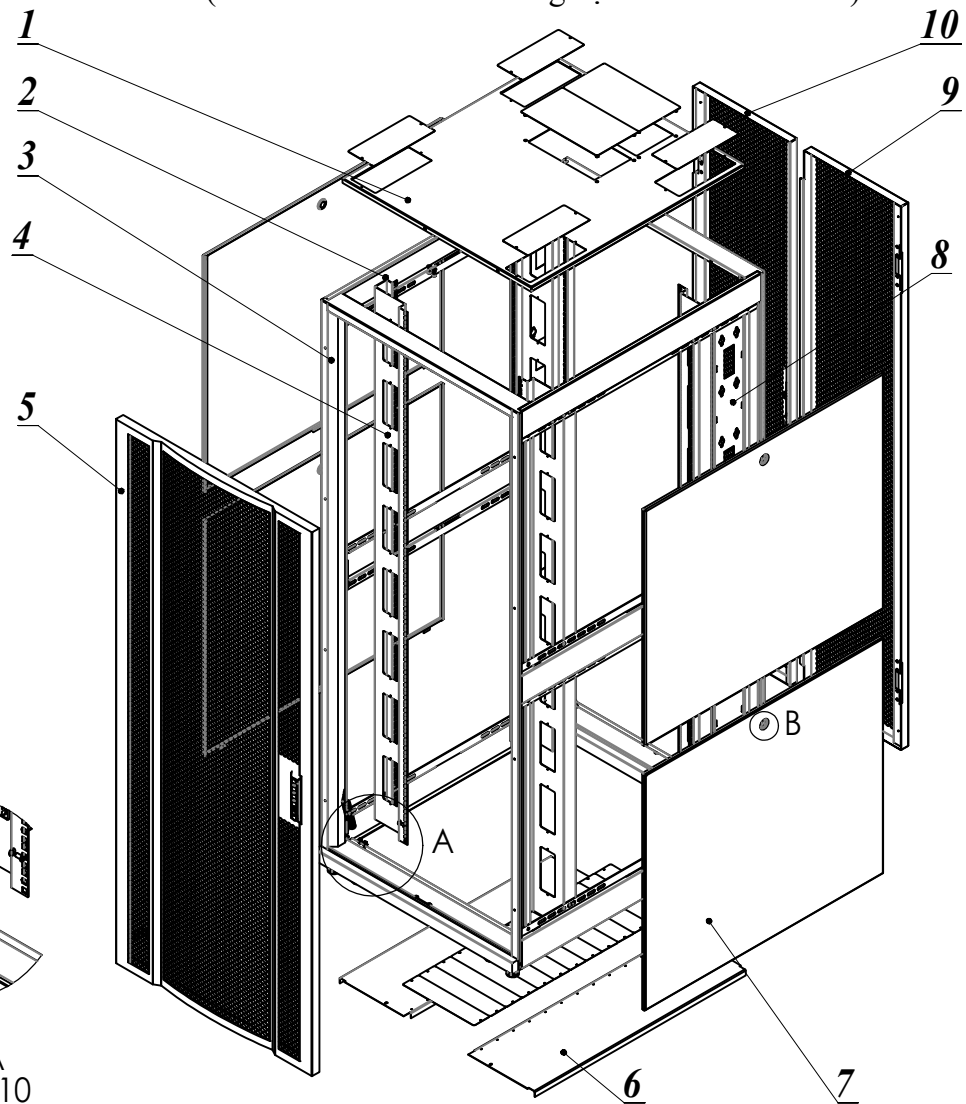




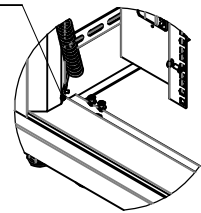
# EXPLODE VIEW

(Thiết kế Modular dễ dàng vận hành và thao tác)

②

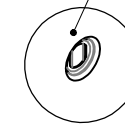


Vị trí tiếp địa  
(2 Vị trí cửa trước,  
2 vị trí cửa sau)



DETAIL A  
SCALE 1 : 10

Khóa cửa hông  
(4 cánh dùng chung chìa)



DETAIL B  
SCALE 1 : 5

10	Rear door right	1	1.2	>80% perforated
9	Rear door left	1	1.2	>80% perforated
8	Cable management	2	1.0	Up to 4 PDU APC
7	Side door	4	1.0	
6	Base	2	1.5	
5	Front door	1	1.2	>80% perforated
4	Profile bar	4	2.0	
3	Frame	4	2.0	
2	Support bar	6	2.0	
1	Top roof	1	1.2	
Item	Name	Q'TY	Thick	Description



ANH MINH TECHNOLOGY COMPANY LIMITED-AMTEC CO.,LTD  
17/3, Binh Quoi A, Binh Chuan, Thuan An, Binh Duong, Viet Nam  
Tel: (84-274) 3612177 Fax: (84-274) 3612178  
Email: info@amtec.com.vn Web: www.amtec.com.vn

Customer:

Drawing title:

AMTEC ROYAL-DC DATACENTER CABINET  
42U 800x1000

Part No:

AMDC42-8100

Design by: Nguyễn Xuân Hùng Date: 06-03-2019

Checked by: Lê Hoàng Tuấn Date: 06-03-2019

Material: SPCC t= 1 to 2

Scale: 1:20

Sheet No:

Drawn by: Nguyễn Xuân Hùng Date: 06-03-2019

Approved by: Phan Quang Đức Date: 06-03-2019

Qty/Job: -

Unit: mm

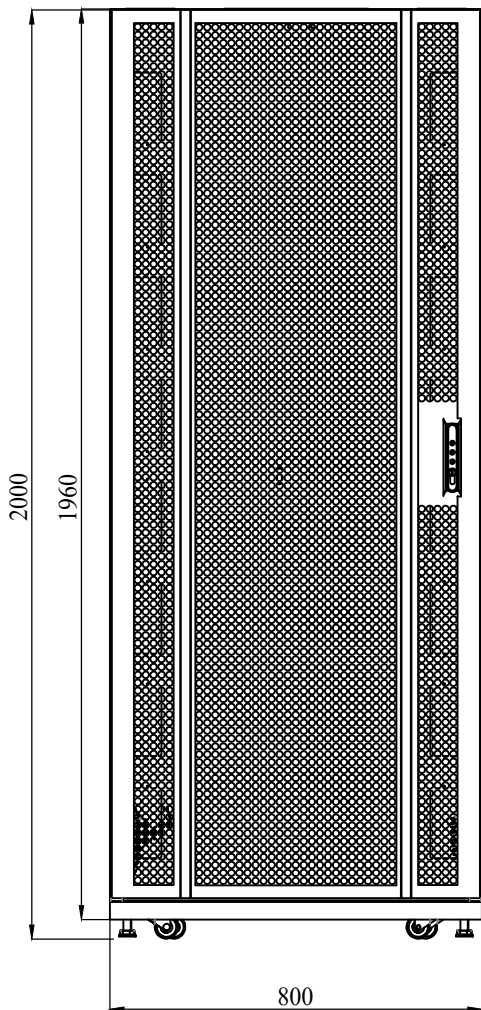
07

File name:

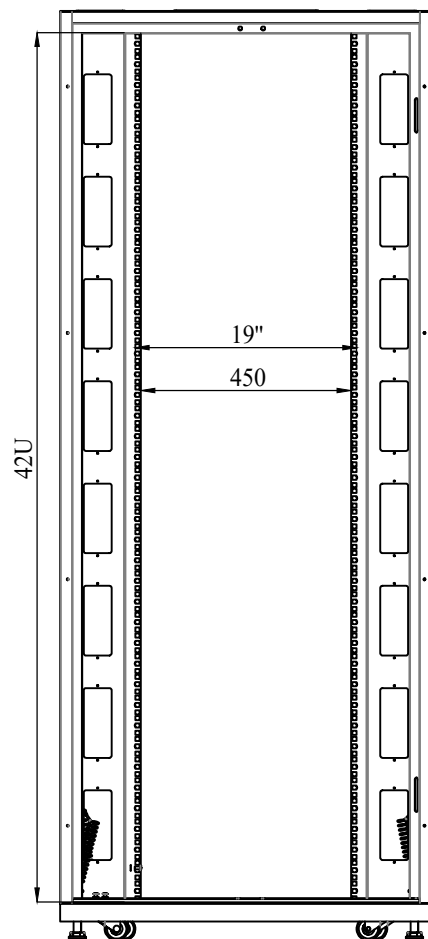
Drawing No:

02

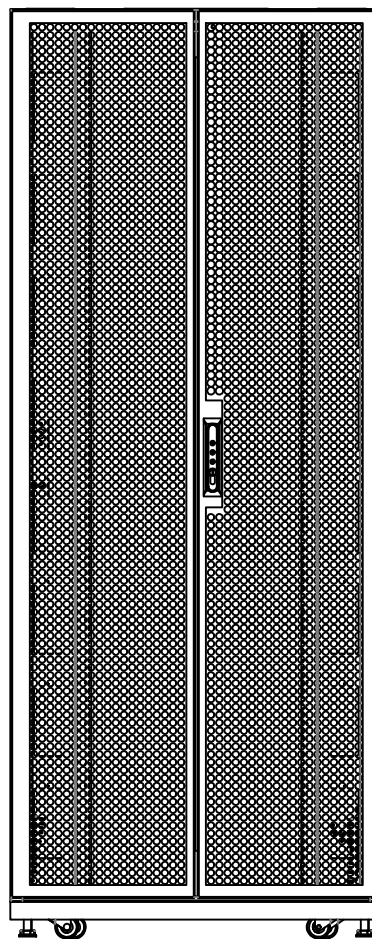
### FRONT VIEW



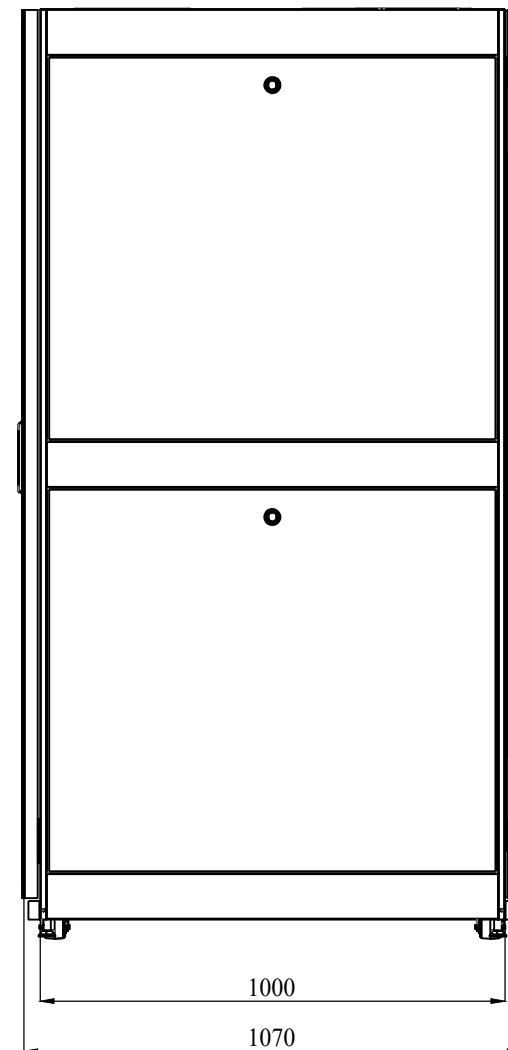
### FRONT VIEW (REMOVED DOOR)



### REAR VIEW



### SIDE VIEW



3



ANH MINH TECHNOLOGY COMPANY LIMITED-AMTEC CO.,LTD  
 17/3, Binh Quoi A, Binh Chuan, Thuan An, Binh Duong, Viet Nam  
 Tel: (84-274) 3612177 Fax: (84-274) 3612178  
 Email: info@amtec.com.vn Web: www.amtec.com.vn

<b>Customer:</b>	-
<b>Design by:</b>	Nguyễn Xuân Hùng
<b>Date:</b>	06-03-2019
<b>Drawn by:</b>	Nguyễn Xuân Hùng
<b>Date:</b>	06-03-2019
<b>File name:</b>	

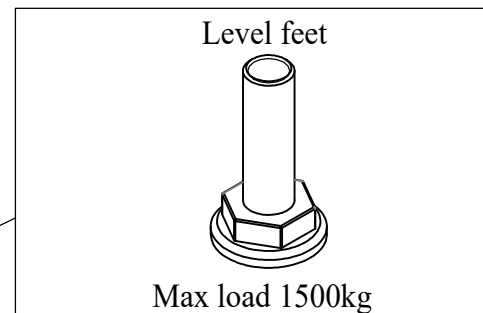
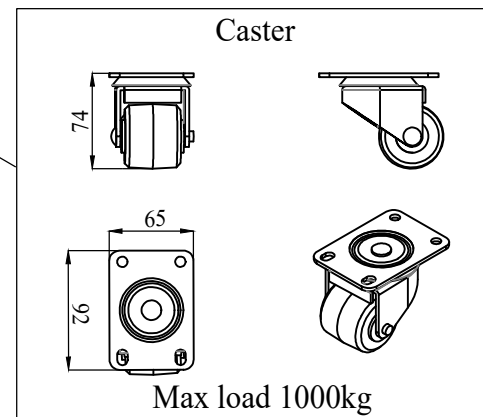
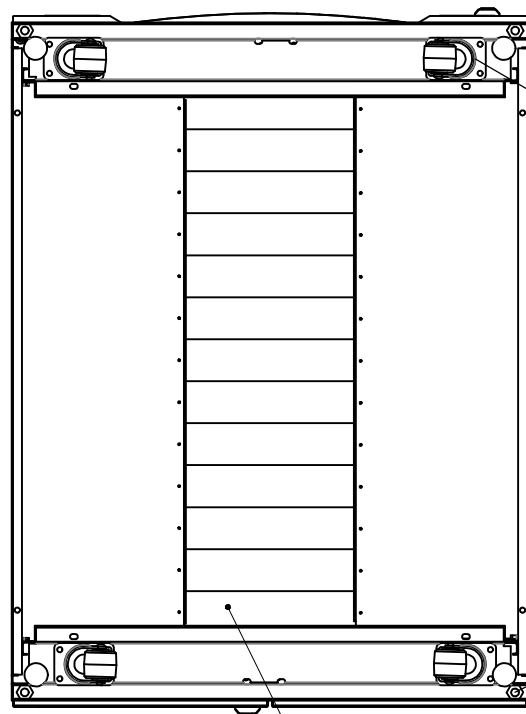
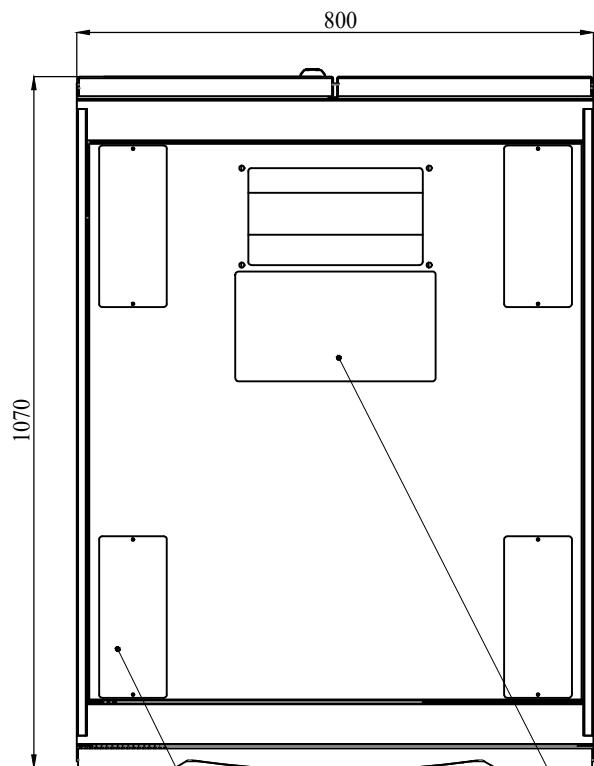
<b>Drawing title:</b>	AMTEC ROYAL-DC DATACENTER CABINET 42U 800x1000
<b>Checked by:</b>	Lê Hoàng Tuấn
<b>Date:</b>	06-03-2019
<b>Approved by:</b>	Phan Quang Đức
<b>Date:</b>	06-03-2019

<b>Part No:</b>	AMDC42-8100
<b>Material:</b>	SPCC t=1.0 2
<b>Scale:</b>	1:15
<b>Qty/Job:</b>	-
<b>Unit:</b>	mm
<b>Drawing No:</b>	03

	<b>Sheet No:</b>
	07

**TOP VIEW**

**BOTTOM VIEW**



Cable hole 100x240 (4x)

Cable hole 150x270 (2x)

Cable hole 60x270

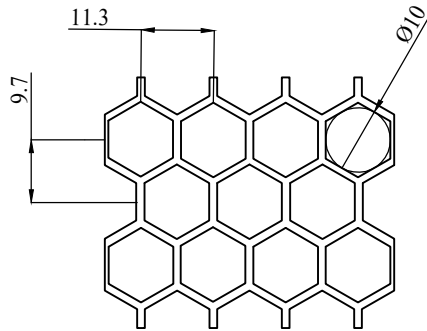
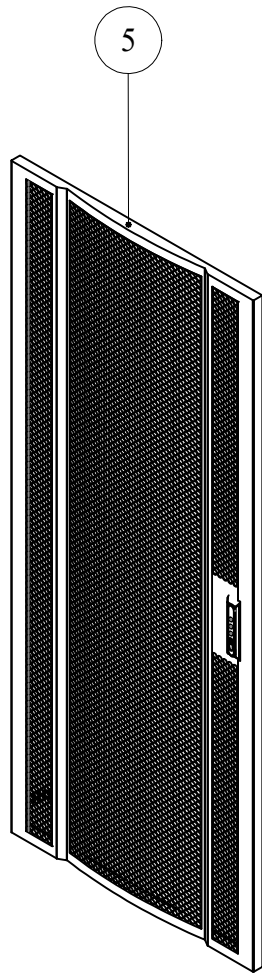


ANH MINH TECHNOLOGY COMPANY LIMITED-AMTEC CO.,LTD  
 17/3, Binh Quoi A, Binh Chuan, Thuan An, Binh Duong, Viet Nam  
 Tel: (84-274) 3612177 Fax: (84-274) 3612178  
 Email: info@amtec.com.vn Web: www.amtec.com.vn

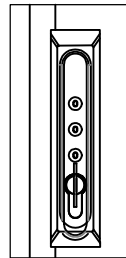
<b>Customer:</b>	-	<b>Drawing title:</b>	AMTEC ROYAL-DC DATACENTER CABINET 42U 800x1000		<b>Part No:</b>	AMDC42-8100								
<b>Design by:</b>	Nguyễn Xuân Hùng	<b>Date:</b>	06-03-2019	<b>Checked by:</b>	Lê Hoàng Tuấn	<b>Date:</b>	06-03-2019		<b>Material:</b>	SPCC	t=1 to 2	<b>Scale:</b>	1:10	<b>Sheet No:</b>
<b>Drawn by:</b>	Nguyễn Xuân Hùng	<b>Date:</b>	06-03-2019	<b>Approved by:</b>	Phan Quang Đức	<b>Date:</b>	06-03-2019		<b>Qty/Job:</b>	-	<b>Unit:</b>	mm	07	
<b>File name:</b>				<b>Drawing No:</b>	04									

**DETAIL ITEM: 5-9-10**

5

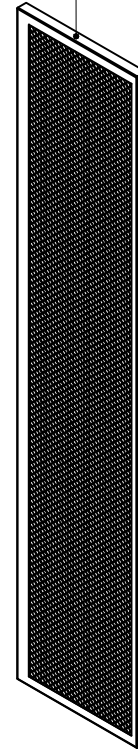


>80% HEXAGON PERFORATED DOOR

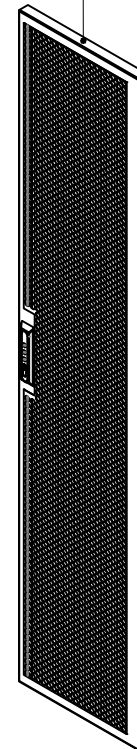


SWINGHANDLE KEY

9



10

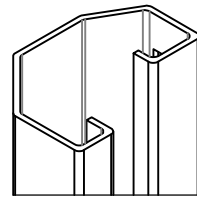
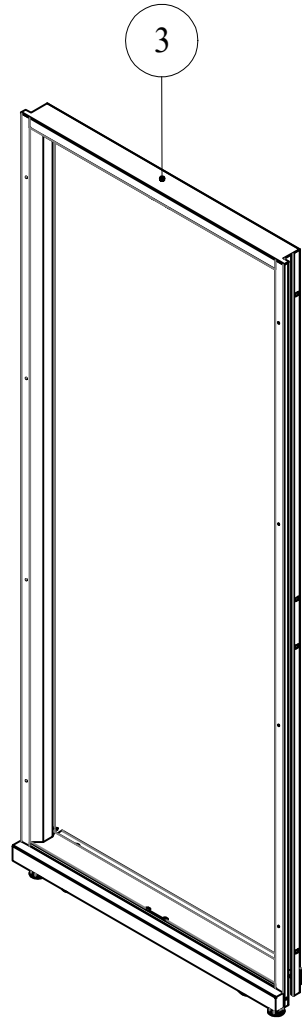


ANH MINH TECHNOLOGY COMPANY LIMITED-AMTEC CO.,LTD  
 17/3, Binh Quoi A, Binh Chuan, Thuan An, Binh Duong, Viet Nam  
 Tel: (84-274) 3612177 Fax: (84-274) 3612178  
 Email: info@amtec.com.vn Web: www.amtec.com.vn

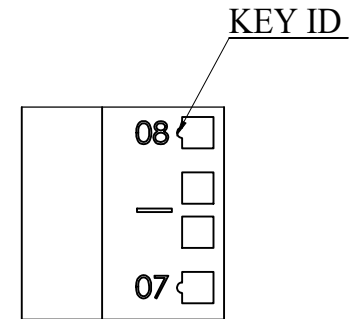
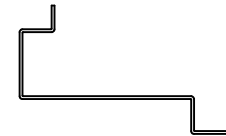
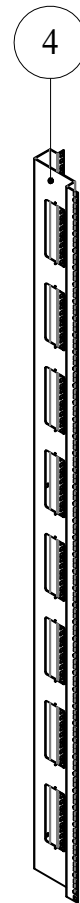
<b>Customer:</b>	-	<b>Drawing title:</b>	AMTEC ROYAL-DC DATACENTER CABINET 42U 800x1000		<b>Part No:</b>	AMDC42-8100			
<b>Design by:</b>	Nguyễn Xuân Hùng	<b>Date:</b>	06-03-2019	<b>Checked by:</b>	Lê Hoàng Tuấn	<b>Date:</b>	06-03-2019		<b>Sheet No:</b>
<b>Drawn by:</b>	Nguyễn Xuân Hùng	<b>Date:</b>	06-03-2019	<b>Approved by:</b>	Phan Quang Đức	<b>Date:</b>	06-03-2019		
<b>File name:</b>				<b>Material:</b>	SPCC	t=1 to 2	<b>Scale:</b>		1:15
				<b>Qty/Job:</b>	-	<b>Unit:</b>	mm		
				<b>Drawing No:</b>	05				

# DETAIL ITEM: 3-4

6



XTRUK 9 SIDES  
MAX LOAD 1500kg



MOUNTING PROFILE  
WITH KEY ID&U-HIGH  
NUMBERING

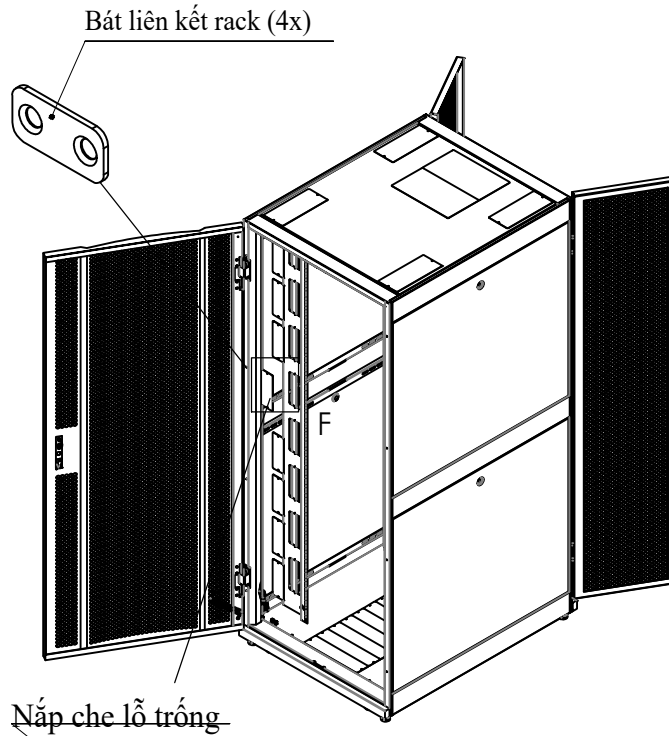
Thanh bắt thiết bị 6 cạnh vững chắc  
và được đánh số rõ ràng từng U từ thấp đến cao



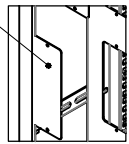
ANH MINH TECHNOLOGY COMPANY LIMITED-AMTEC CO.,LTD  
17/3, Binh Quoi A, Binh Chuan, Thuan An, Binh Duong, Viet Nam  
Tel: (84-274) 3612177 Fax: (84-274) 3612178  
Email: info@amtec.com.vn Web: www.amtec.com.vn

<b>Customer:</b>	-	<b>Drawing title:</b>	AMTEC ROYAL-DC DATACENTER CABINET 42U 800x1000	<b>Part No:</b>	AMDC42-8100								
<b>Design by:</b>	Nguyễn Xuân Hùng	<b>Date:</b>	06-03-2019	<b>Checked by:</b>	Lê Hoàng Tuấn		<b>Date:</b>	06-03-2019	<b>Material:</b>	SPCC t=1 to 2	<b>Scale:</b>	1:15	<b>Sheet No:</b>
<b>Drawn by:</b>	Nguyễn Xuân Hùng	<b>Date:</b>	06-03-2019	<b>Approved by:</b>	Phan Quang Đức	<b>Date:</b>	06-03-2019	<b>Qty/Job:</b>	-	<b>Unit:</b>	mm		
<b>File name:</b>				<b>Drawing No:</b>	06								

## ISOMETRIC VIEW



Nắp che lỗ trống

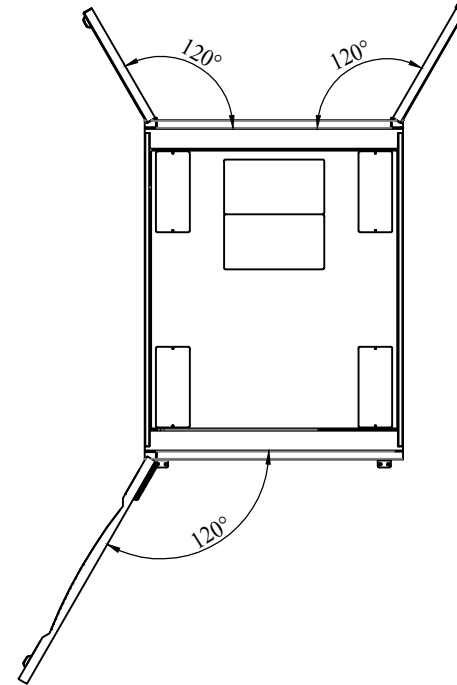


DETAIL F  
SCALE 1 : 10

## TOP VIEW

⑦

Góc mở cửa trước và sau 120 độ



ANH MINH TECHNOLOGY COMPANY LIMITED-AMTEC CO.,LTD  
17/3, Binh Quoi A, Binh Chuan, Thuan An, Binh Duong, Viet Nam  
Tel: (84-274) 3612177 Fax: (84-274) 3612178  
Email: info@amtec.com.vn Web: www.amtec.com.vn

<b>Customer:</b>	-	<b>Drawing title:</b>	AMTEC ROYAL-DC DATACENTER CABINET 42U 800x1000		<b>Part No:</b>	AMDC42-8100								
<b>Design by:</b>	Nguyễn Xuân Hùng	<b>Date:</b>	06-03-2019	<b>Checked by:</b>	Lê Hoàng Tuấn	<b>Date:</b>	06-03-2019		<b>Material:</b>	SPCC t=1 to 2	<b>Scale:</b>	1:25	<b>Sheet No:</b>	07
<b>Drawn by:</b>	Nguyễn Xuân Hùng	<b>Date:</b>	06-03-2019	<b>Approved by:</b>	Phan Quang Đức	<b>Date:</b>	06-03-2019		<b>Qty/Job:</b>	-	<b>Unit:</b>	mm		
<b>File name:</b>				<b>Drawing No:</b>	07									