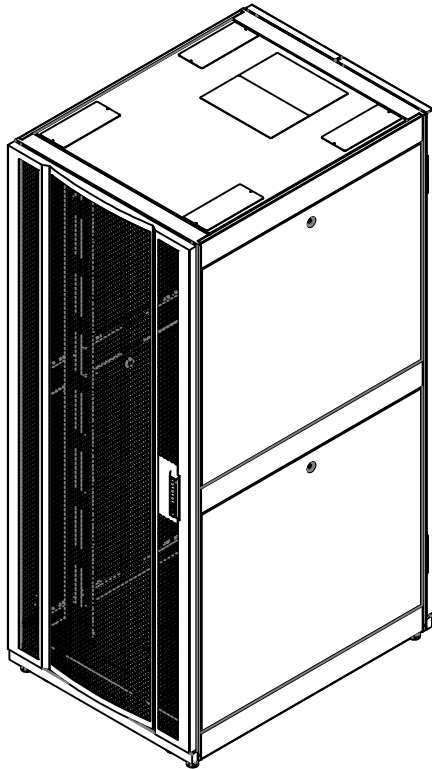
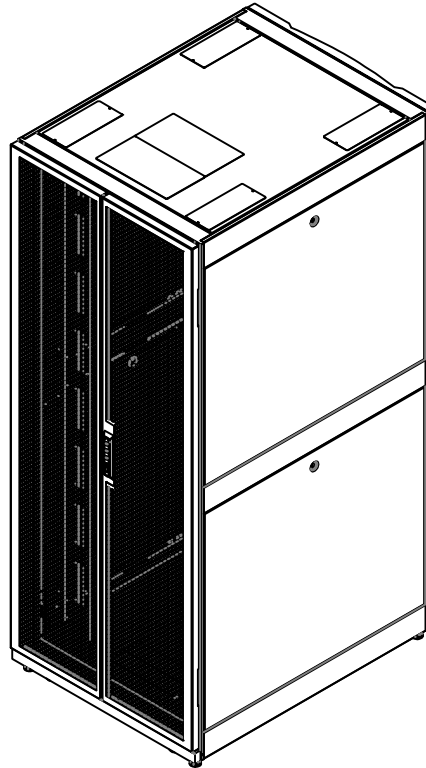


FRONT&RIGHT VIEW



REAR&LEFT VIEW



Thông số kỹ thuật:

| | | |
|---|-----------------|--|
| 1 | Các tiêu chuẩn | <ul style="list-style-type: none"> . ANSI/EIA 310-D, phần A . DIN 41494. . BS 5954 phần 2. . IEC 60297-1, IEC 60297-2 . RoHS. . IP20. |
| 2 | Độ dày thép | <ul style="list-style-type: none"> . Khung 2mm. . Thanh treo thiết bị 2mm. . Cửa trước và sau 1.2mm. . Cửa hông 1mm. . Đế che 1.5mm . Thanh bắt nguồn/Quản lý cáp 1mm. . Thanh nối khung trước&sau 2mm. |
| 3 | Tải trọng | <ul style="list-style-type: none"> . Trên các bánh xe 1000 kg. . Trên các chân đế 1500 kg. . Tải trọng trên nóc 80 kg. . Tải trọng trên đế 80 kg. |
| 4 | Màu sơn | Sơn tĩnh điện màu đen |
| 5 | Độ thông thoáng | Cửa lưới lọc gió trước&sau thông thoáng >80% |



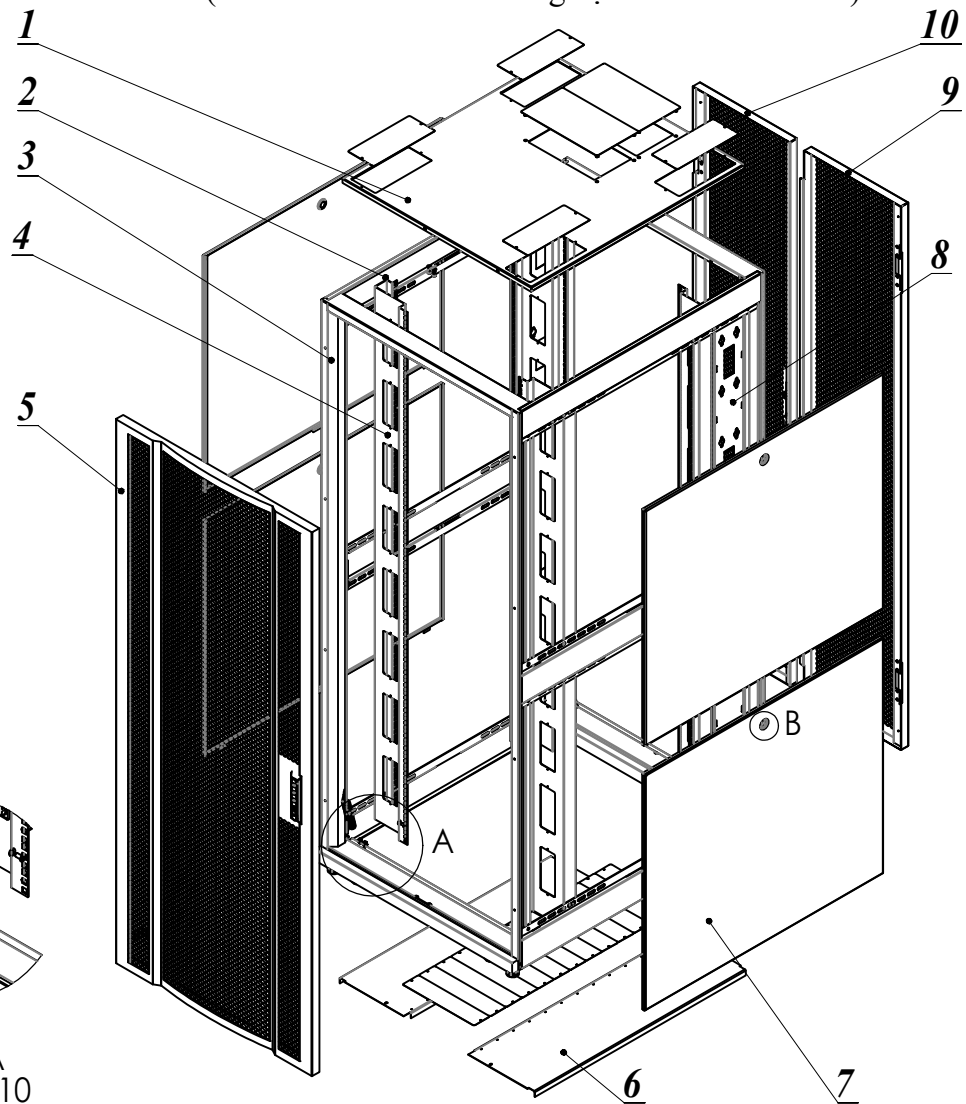
ANH MINH TECHNOLOGY COMPANY LIMITED-AMTEC CO.,LTD
 17/3, Binh Quoi A, Binh Chuan, Thuan An, Binh Duong, Viet Nam
 Tel: (84-274) 3612177 Fax: (84-274) 3612178
 Email: info@amtec.com.vn Web: www.amtec.com.vn

| | | | | | | | | | | | | | |
|------------|------------------|----------------|---|--------------|----------------|-------------|-------------|----------|-----------|-------|--------|------|-----------|
| Customer: | - | Drawing title: | AMTEC ROYAL-DC DATACENTER CABINET 36U 800x1200 | | Part No: | AMDC36-8120 | | | | | | | |
| Design by: | Nguyễn Xuân Hùng | Date: | 06-03-2019 | Checked by: | Lê Hoàng Tuấn | Date: | 06-03-2019 | | Material: | SPPC | Scale: | 1:20 | Sheet No: |
| Drawn by: | Nguyễn Xuân Hùng | Date: | 06-03-2019 | Approved by: | Phan Quang Đức | Date: | 06-03-2019 | Qty/Job: | - | Unit: | mm | | |
| File name: | | | | | | | Drawing No: | 01 | | | | | |

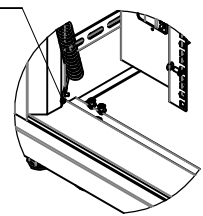
EXPLODE VIEW

(Thiết kế Modular dễ dàng vận hành và thao tác)

②

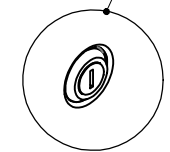


Vị trí tiếp địa
(2 Vị trí cửa trước,
2 vị trí cửa sau)



DETAIL A
SCALE 1 : 10

Khóa cửa hông
(4 cánh dùng chung chìa)



DETAIL B
SCALE 1 : 5

| 10 | Rear door right | 1 | 1.2 | >80% perforated |
|------|------------------|------|-------|-----------------|
| 9 | Rear door left | 1 | 1.2 | >80% perforated |
| 8 | Cable management | 2 | 1.0 | Up to 4 PDU APC |
| 7 | Side door | 4 | 1.0 | |
| 6 | Base | 2 | 1.5 | |
| 5 | Front door | 1 | 1.2 | >80% perforated |
| 4 | Profile bar | 4 | 2.0 | |
| 3 | Frame | 4 | 2.0 | |
| 2 | Support bar | 6 | 2.0 | |
| 1 | Top roof | 1 | 1.2 | |
| Item | Name | Q'TY | Thick | Description |



ANH MINH TECHNOLOGY COMPANY LIMITED-AMTEC CO.,LTD
17/3, Binh Quoi A, Binh Chuan, Thuan An, Binh Duong, Viet Nam
Tel: (84-274) 3612177 Fax: (84-274) 3612178
Email: info@amtec.com.vn Web: www.amtec.com.vn

Customer: -

Drawing title:
AMTEC ROYAL-DC DATACENTER CABINET
36U 800x1200

Part No:
AMDC36-8120



Design by: Nguyễn Xuân Hùng Date: 06-03-2019

Checked by: Lê Hoàng Tuấn Date: 06-03-2019

Material: SPCC t= 1 to 2

Scale: 1:20

Sheet No:

Drawn by: Nguyễn Xuân Hùng Date: 06-03-2019

Approved by: Phan Quang Đức Date: 06-03-2019

Qty/Job: -

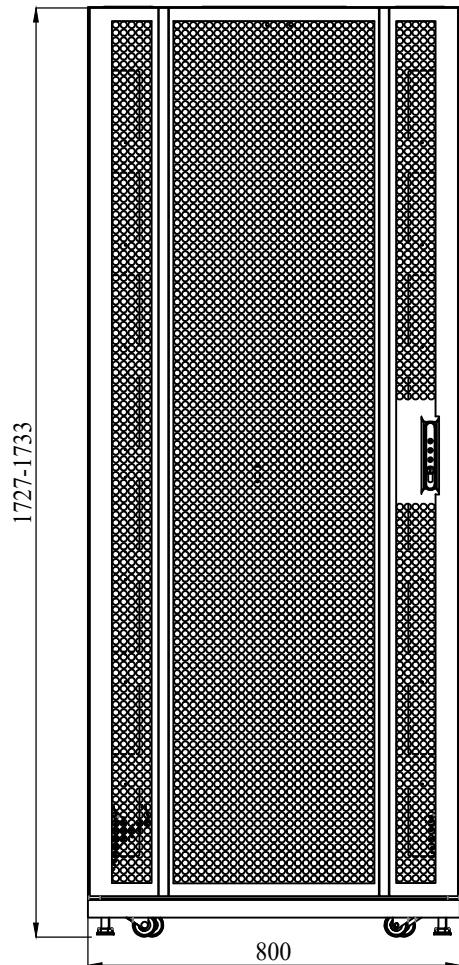
Unit: mm

07

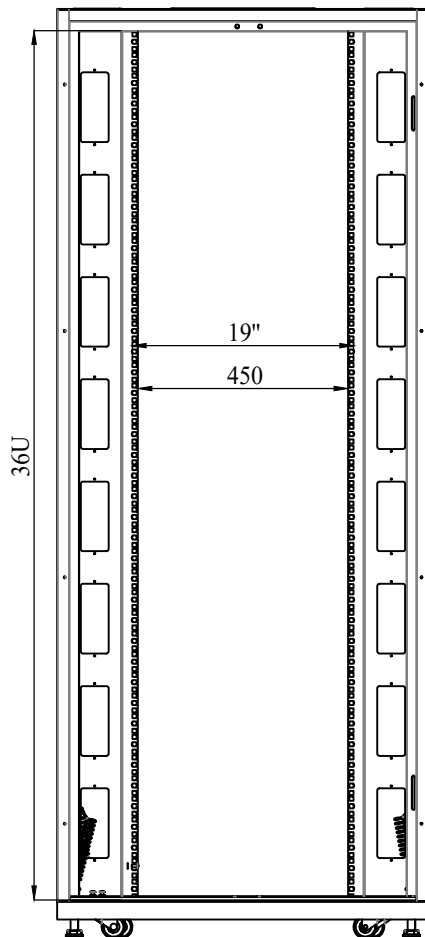
File name:

Drawing No: 02

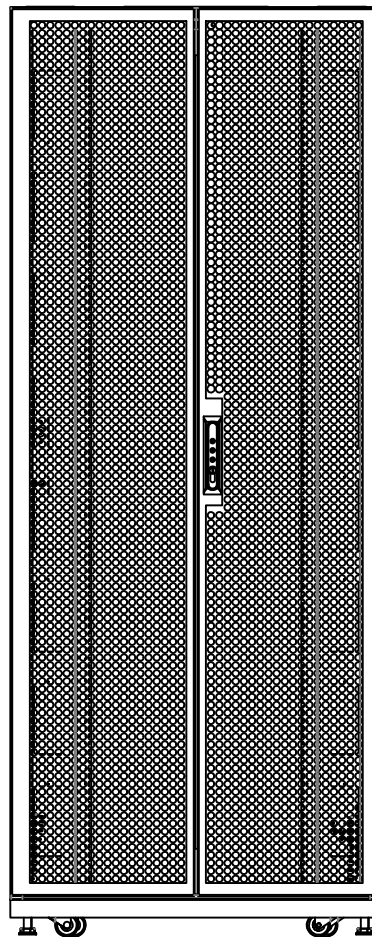
FRONT VIEW



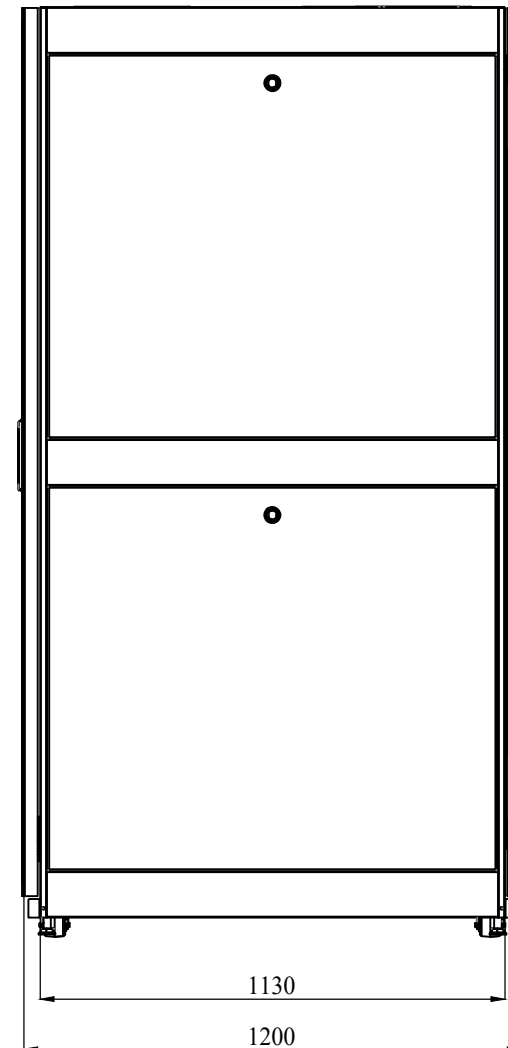
**FRONT VIEW
(REMOVED DOOR)**



REAR VIEW



SIDE VIEW



3



ANH MINH TECHNOLOGY COMPANY LIMITED-AMTEC CO.,LTD
 17/3, Binh Quoi A, Binh Chuan, Thuan An, Binh Duong, Viet Nam
 Tel: (84-274) 3612177 Fax: (84-274) 3612178
 Email: info@amtec.com.vn Web: www.amtec.com.vn

Customer: -

Design by: Nguyễn Xuân Hùng **Date:** 06-03-2019

Drawn by: Nguyễn Xuân Hùng **Date:** 06-03-2019

File name:

Drawing title:
 AMTEC ROYAL-DC DATACENTER CABINET
 36U 800x1200

Checked by: Lê Hoàng Tuấn **Date:** 06-03-2019

Approved by: Phan Quang Đức **Date:** 06-03-2019

Part No: AMDC36-8120

Material: SPCC t=1.0/2 **Scale:** 1:15

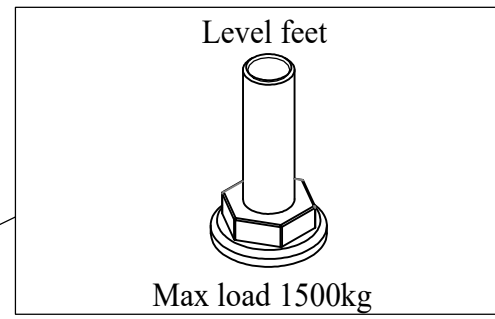
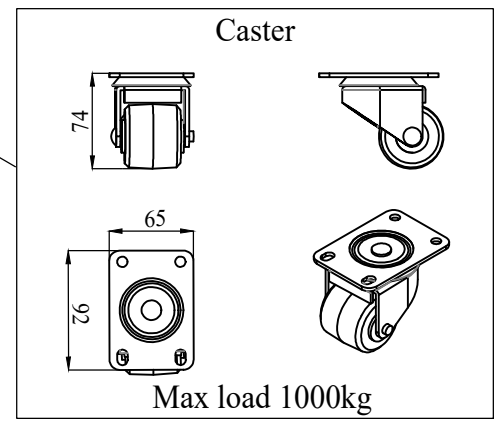
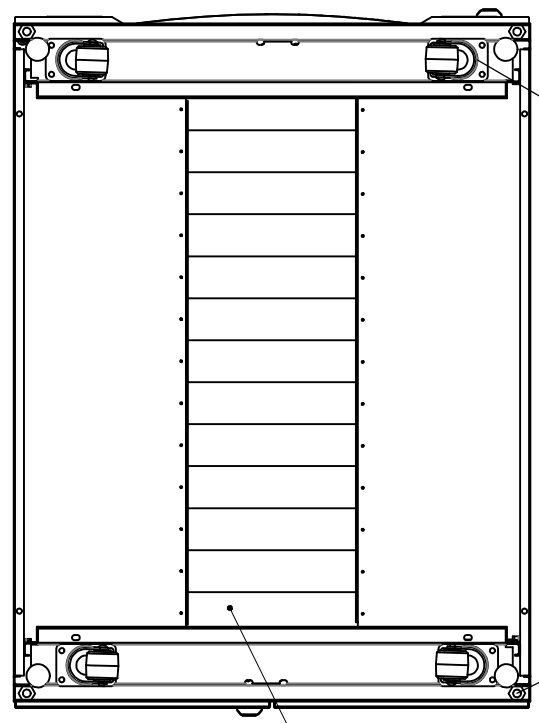
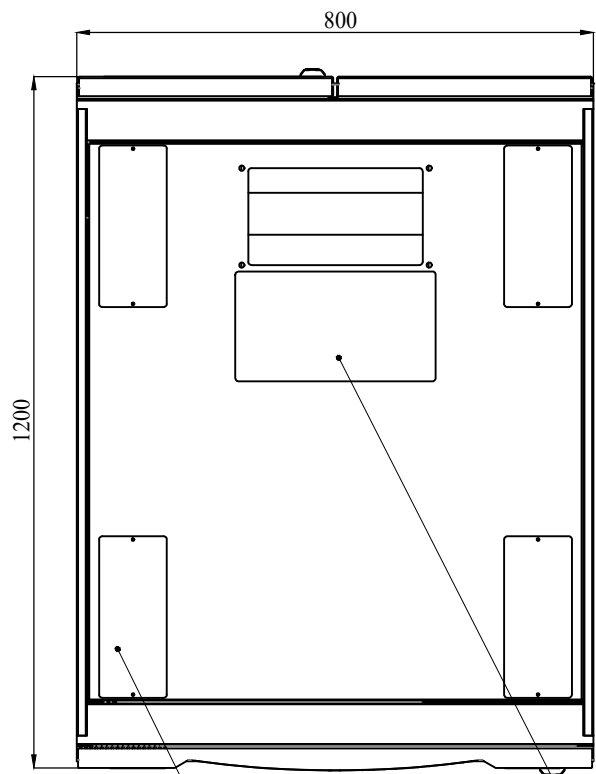
Qty/Job: - **Unit:** mm

Drawing No: 03

Sheet No:
 07

TOP VIEW

BOTTOM VIEW



Cable hole 100x240 (4x)

Cable hole 150x270 (2x)

Cable hole 60x270

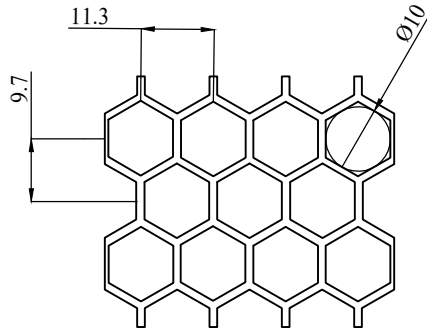
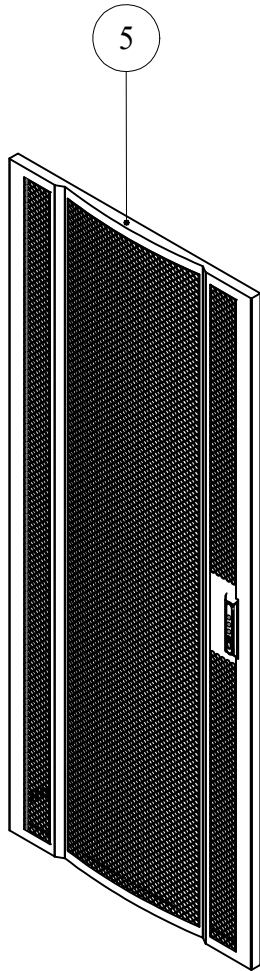


ANH MINH TECHNOLOGY COMPANY LIMITED-AMTEC CO.,LTD
 17/3, Binh Quoi A, Binh Chuan, Thuan An, Binh Duong, Viet Nam
 Tel: (84-274) 3612177 Fax: (84-274) 3612178
 Email: info@amtec.com.vn Web: www.amtec.com.vn

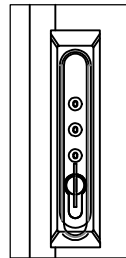
| | | | | | | | | | | | | | |
|-------------------|------------------|-----------------------|---|---------------------|-----------------|--------------|------------|--|--------------------|---------------|---------------|------|------------------|
| Customer: | - | Drawing title: | AMTEC ROYAL-DC DATACENTER CABINET 36U 800x1200 | | Part No: | AMDC36-8120 | | | | | | | |
| Design by: | Nguyễn Xuân Hùng | Date: | 06-03-2019 | Checked by: | Lê Hoàng Tuấn | Date: | 06-03-2019 | | Material: | SPCC t=1 to 2 | Scale: | 1:10 | Sheet No: |
| Drawn by: | Nguyễn Xuân Hùng | Date: | 06-03-2019 | Approved by: | Phan Quang Đức | Date: | 06-03-2019 | | Qty/Job: | - | Unit: | mm | 07 |
| File name: | | | | | | | | | Drawing No: | 04 | | | |

DETAIL ITEM: 5-9-10

5

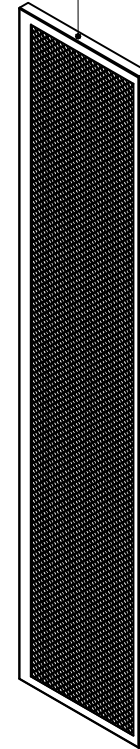


>80% HEXAGON PERFORATED DOOR

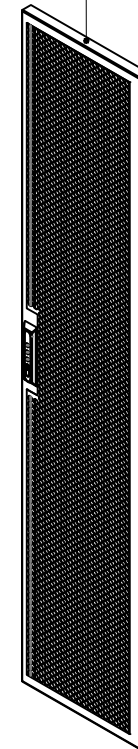


SWINGHANDLE KEY

9



10

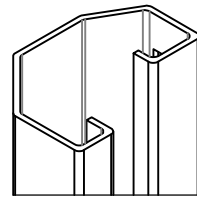
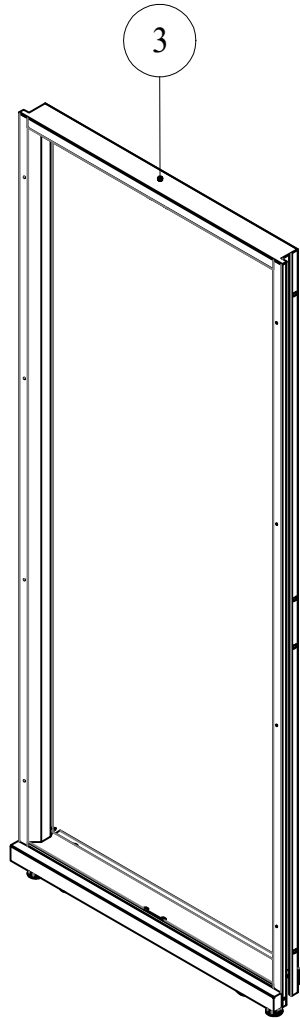


ANH MINH TECHNOLOGY COMPANY LIMITED-AMTEC CO.,LTD
 17/3, Binh Quoi A, Binh Chuan, Thuan An, Binh Duong, Viet Nam
 Tel: (84-274) 3612177 Fax: (84-274) 3612178
 Email: info@amtec.com.vn Web: www.amtec.com.vn

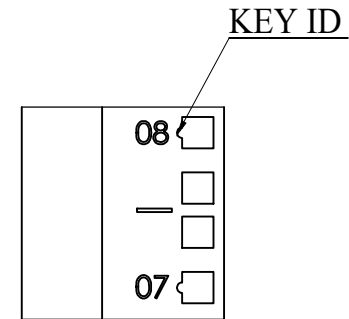
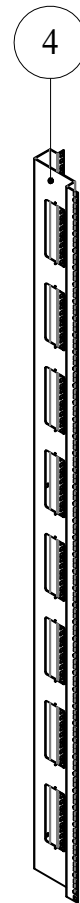
| | | | | | | | | | | | | | | |
|-------------------|------------------|-----------------------|---|---------------------|-----------------|--------------|--|------------|------------------|---------------|---------------|------|------------------|----|
| Customer: | - | Drawing title: | AMTEC ROYAL-DC DATACENTER CABINET 36U 800x1200 | | Part No: | AMDC36-8120 | | | | | | | | |
| Design by: | Nguyễn Xuân Hùng | Date: | 06-03-2019 | Checked by: | Lê Hoàng Tuấn | Date: | | 06-03-2019 | Material: | SPCC t=1 to 2 | Scale: | 1:15 | Sheet No: | 07 |
| Drawn by: | Nguyễn Xuân Hùng | Date: | 06-03-2019 | Approved by: | Phan Quang Đức | Date: | | 06-03-2019 | Qty/Job: | - | Unit: | mm | | |
| File name: | | | | Drawing No: | 05 | | | | | | | | | |

DETAIL ITEM: 3-4

6



XTRUK 9 SIDES
MAX LOAD 1500kg



MOUNTING PROFILE
WITH KEY ID&U-HIGH
NUMBERING

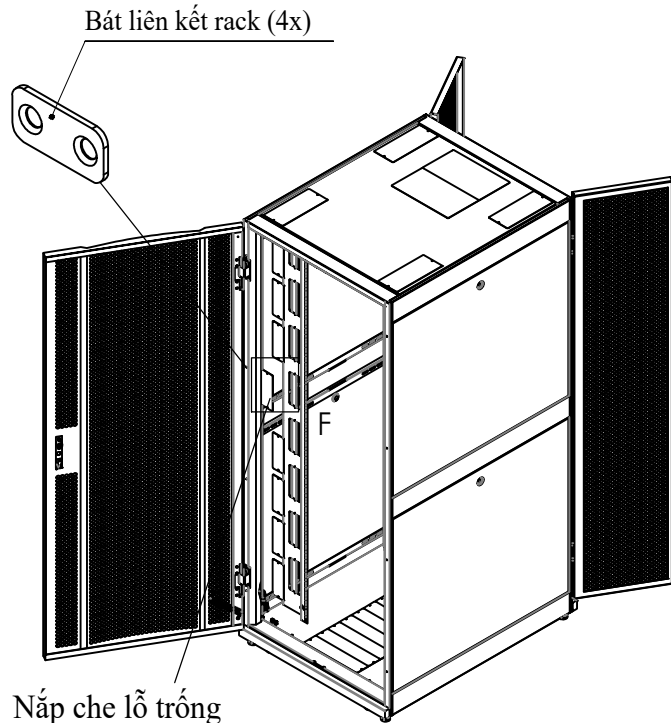
Thanh bắt thiết bị 6 cạnh vững chắc
và được đánh số rõ ràng từng U từ thấp đến cao



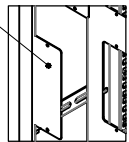
ANH MINH TECHNOLOGY COMPANY LIMITED-AMTEC CO.,LTD
17/3, Binh Quoi A, Binh Chuan, Thuan An, Binh Duong, Viet Nam
Tel: (84-274) 3612177 Fax: (84-274) 3612178
Email: info@amtec.com.vn Web: www.amtec.com.vn

| | | | | | | | | | | | | | |
|-------------------|------------------|-----------------------|---|---------------------|----------------|--------------|--------------|-----------------|------------------|---------------|---------------|------|------------------|
| Customer: | - | Drawing title: | AMTEC ROYAL-DC DATACENTER CABINET 36U 800x1200 | Part No: | AMDC36-8120 | | | | | | | | |
| Design by: | Nguyễn Xuân Hùng | Date: | 06-03-2019 | Checked by: | Lê Hoàng Tuấn | | Date: | 06-03-2019 | Material: | SPCC t=1 to 2 | Scale: | 1:15 | Sheet No: |
| Drawn by: | Nguyễn Xuân Hùng | Date: | 06-03-2019 | Approved by: | Phan Quang Đức | Date: | 06-03-2019 | Qty/Job: | - | Unit: | mm | | |
| File name: | | | | Drawing No: | 06 | | | | | | | | |

ISOMETRIC VIEW



Nắp che lỗ trống

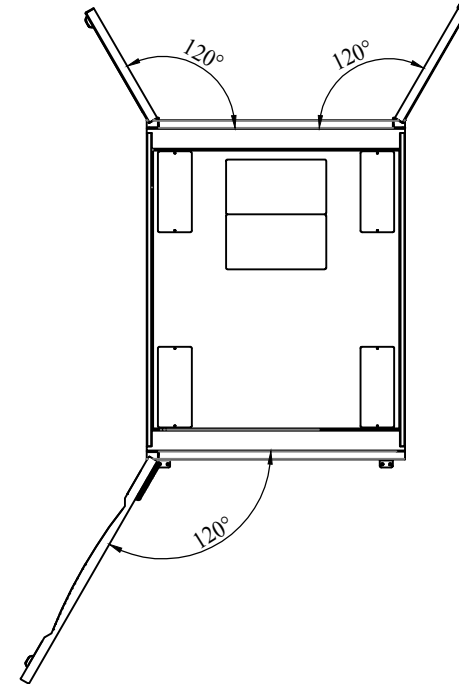


DETAIL F
SCALE 1 : 10

TOP VIEW

⑦

Góc mở cửa trước và sau 120 độ



ANH MINH TECHNOLOGY COMPANY LIMITED-AMTEC CO.,LTD
17/3, Binh Quoi A, Binh Chuan, Thuan An, Binh Duong, Viet Nam
Tel: (84-274) 3612177 Fax: (84-274) 3612178
Email: info@amtec.com.vn Web: www.amtec.com.vn

| | | | | | | | | | | | | | | |
|-------------------|------------------|-----------------------|---|---------------------|-----------------|--------------|------------|--|------------------|---------------|---------------|------|------------------|----|
| Customer: | - | Drawing title: | AMTEC ROYAL-DC DATACENTER CABINET 36U 800x1200 | | Part No: | AMDC36-8120 | | | | | | | | |
| Design by: | Nguyễn Xuân Hùng | Date: | 06-03-2019 | Checked by: | Lê Hoàng Tuấn | Date: | 06-03-2019 | | Material: | SPCC t=1 to 2 | Scale: | 1:25 | Sheet No: | 07 |
| Drawn by: | Nguyễn Xuân Hùng | Date: | 06-03-2019 | Approved by: | Phan Quang Đức | Date: | 06-03-2019 | | Qty/Job: | - | Unit: | mm | | |
| File name: | | | | Drawing No: | 07 | | | | | | | | | |