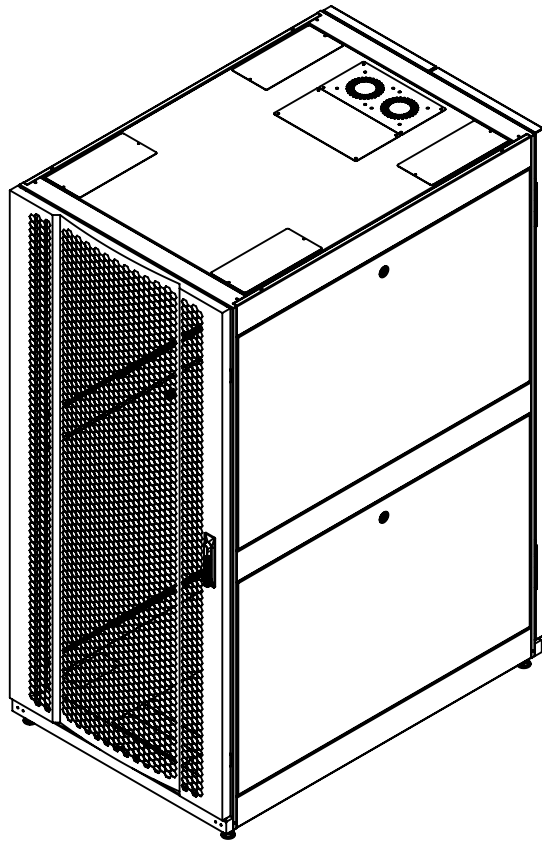
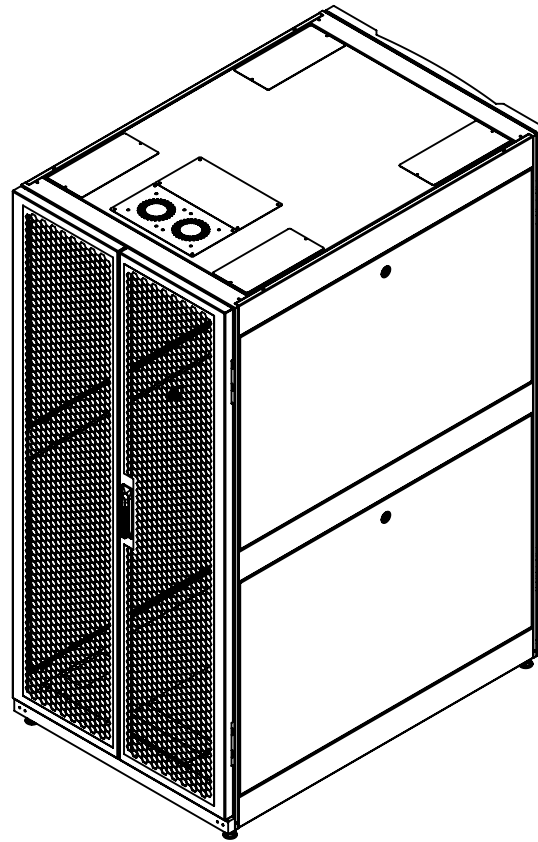


FRONT&RIGHT VIEW



REAR&LEFT VIEW




Specifications

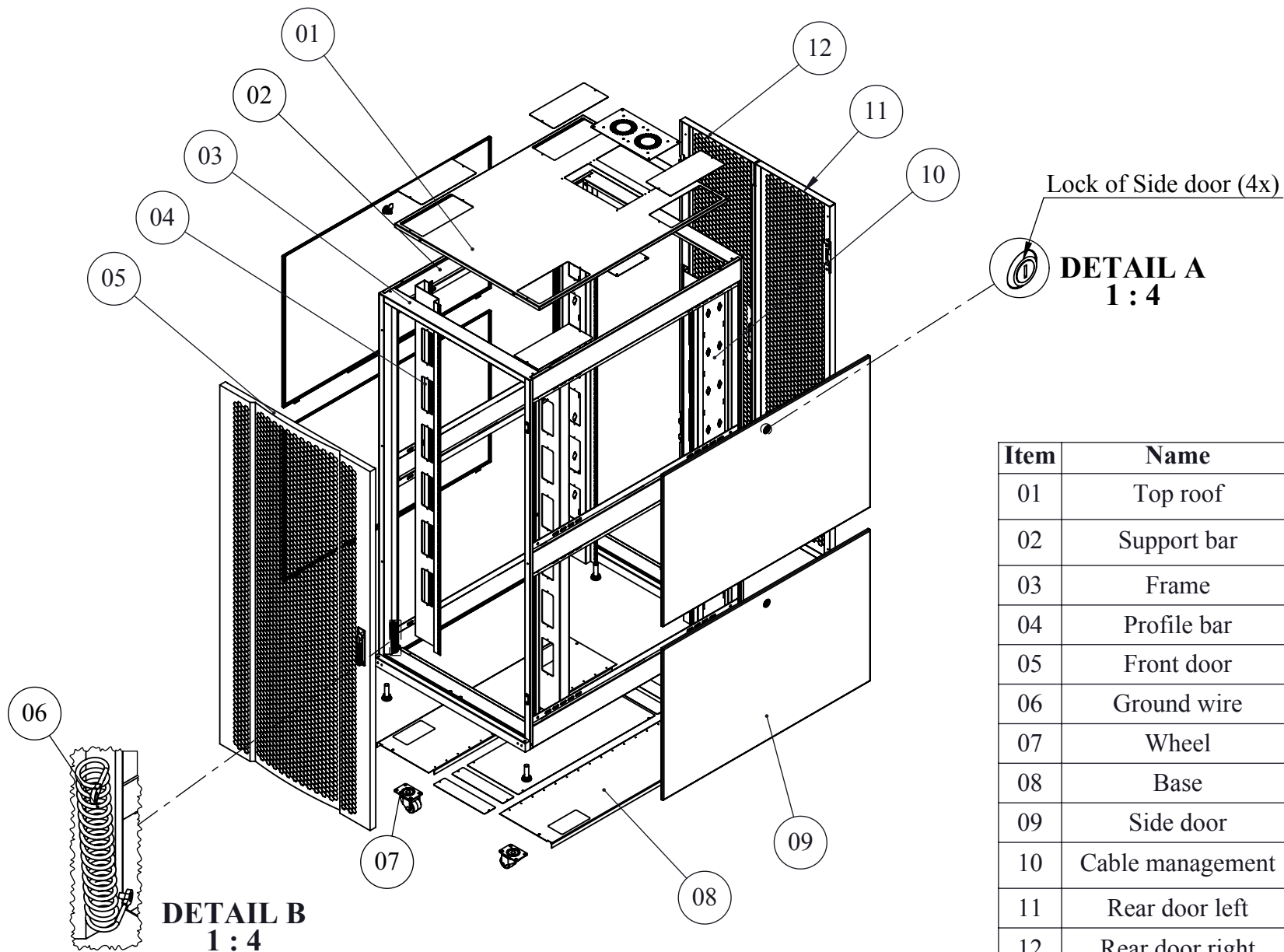
1	Standard	- ISO 9001:2015 - ISO 14001:2015 - CE, EN/IEC 62368-1, RoHS - ANSI/EIA 310-D, phần A - DIN 41494 - BS5954 phần 2 - IEC 60297-1, IEC 60297-2 - IP20
2	Material	- Posso/JSVC Steel - SPCC/SD
3	Load capacity	. On 4 Casters 1200 kg. . On 4 Leveling feets 2000kg.
4	Color	Black
5	Air flow	Hexagon Perforated door >80%



ANH MINH TECHNOLOGY COMPANY LIMITED-AMTEC CO.,LTD
17/3, Binh Quoi A, Binh Chuan, Thuan An, Binh Duong, Viet Nam
Tel: (84-650) 3612177 Fax: (84-650) 3612178
Email: info@amtec.com.vn Web: www.amtec.com.vn

Customer:	-	Drawing title:	AMTEC Royal-DC® DATACENTER CABINET 36U 800x1200		Part No:	AMDC36-8120	 Sheet No: 7	
Design by:	HUỲNH HỮU AN	Date:	-	Checked by:	LÊ HOÀNG TUẤN	Date:		-
Drawn by:	HUỲNH HỮU AN	Date:	-	Approved by:	PHAN QUANG ĐỨC	Date:		-
File name:	-	Material:	SPCC t=1.0 to 2.0	Scale:	1:20	Unit:		mm
		Qty/Job:	-	Drawing No:	1			

EXPLODE VIEW



Item	Name	Q'Ty	Thick	Description
01	Top roof	1	1.2	
02	Support bar	6	2.0	
03	Frame	2	2.0	
04	Profile bar	4	2.0	
05	Front door	1	1.2	>80% Perforated
06	Ground wire	3		
07	Wheel	4		Phi 50 x74H
08	Base	2	1.5	
09	Side door	4	1.0	
10	Cable management	2	1.0	Up to 4 PDU
11	Rear door left	1	1.2	>80% Perforated
12	Rear door right	1	1.2	>80% Perforated



ANH MINH TECHNOLOGY COMPANY LIMITED-AMTEC CO.,LTD
 17/3, Binh Quoi A, Binh Chuan, Thuan An, Binh Duong, Viet Nam
 Tel: (84-650) 3612177 Fax: (84-650) 3612178
 Email: info@amtec.com.vn Web: www.amtec.com.vn

Customer: -

Drawing title:

AMTEC Royal-DC® DATACENTER CABINET
 36U 800x1200

Part No:

AMDC36-8120

Design by: HUỖNH HỮU AN

Date:

Checked by: LÊ HOÀNG TUẤN

Date:

Material: SPCC t=1.0 to 2.0

Scale: 1:22

Sheet No:

Drawn by: HUỖNH HỮU AN

Date:

Approved by: PHAN QUANG ĐỨC

Date:

Qty/Job: -

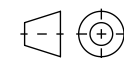
Unit: mm

7

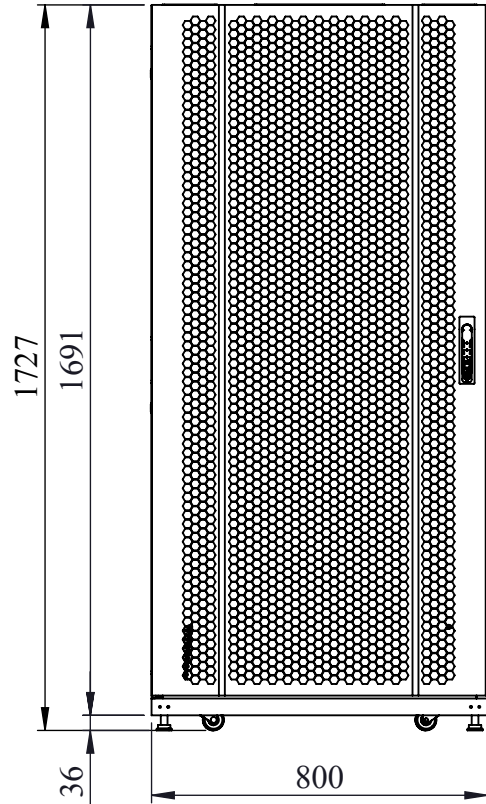
File name: -

Drawing No:

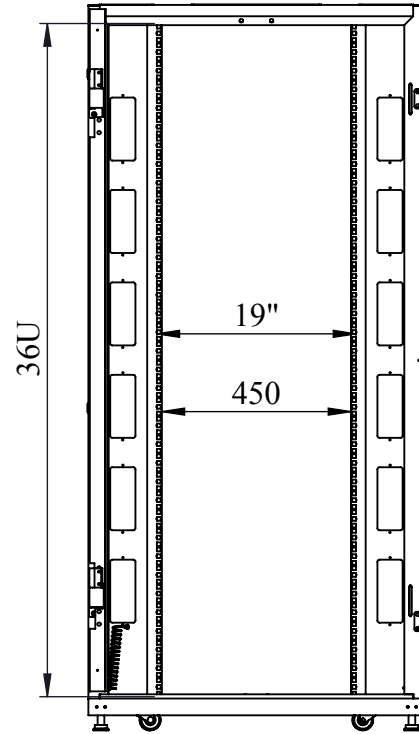
2



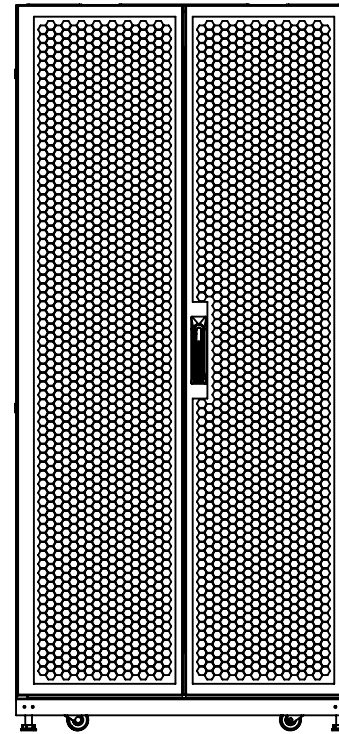
FRONT VIEW



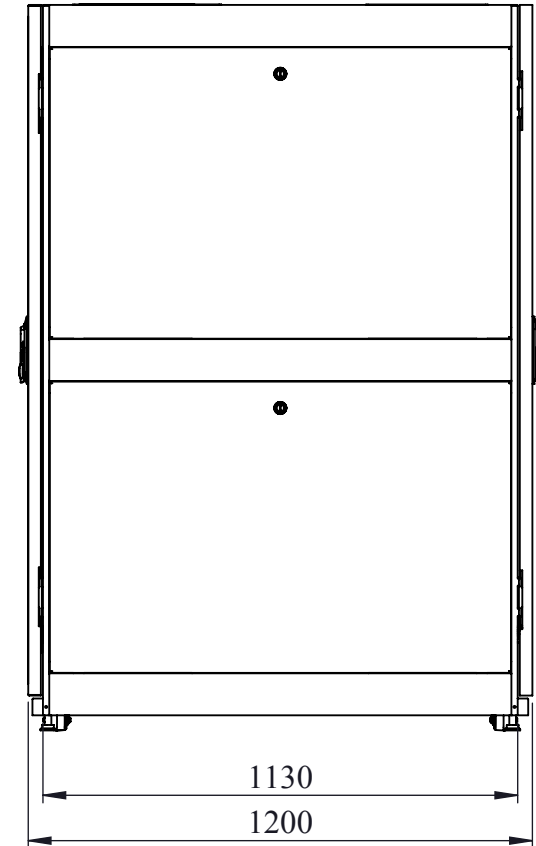
**FRONT VIEW
(REMOVED DOOR)**



REAR VIEW



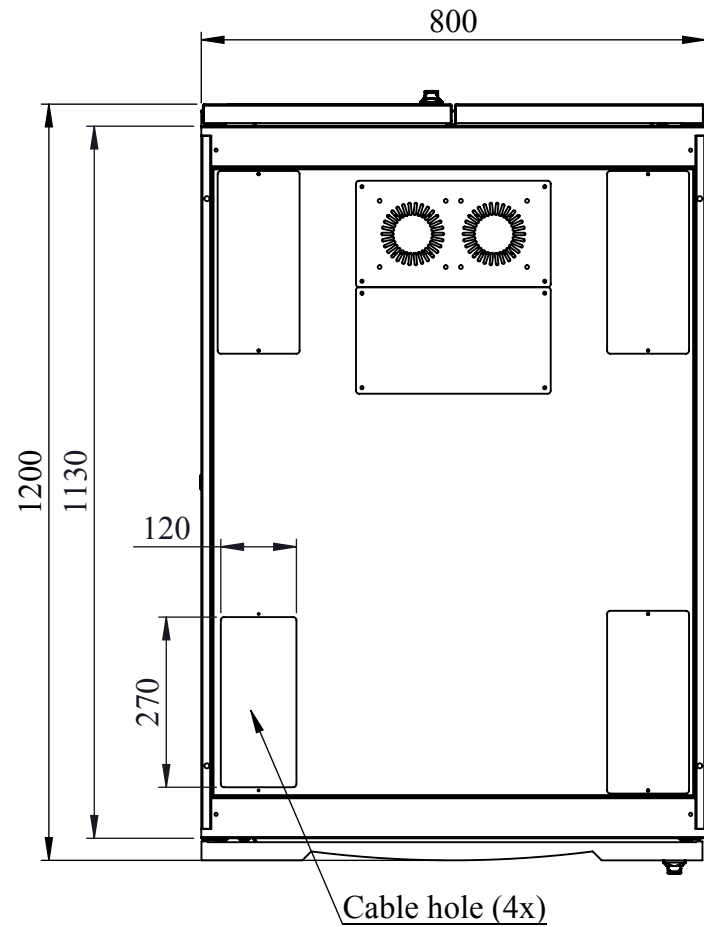
SIDE VIEW



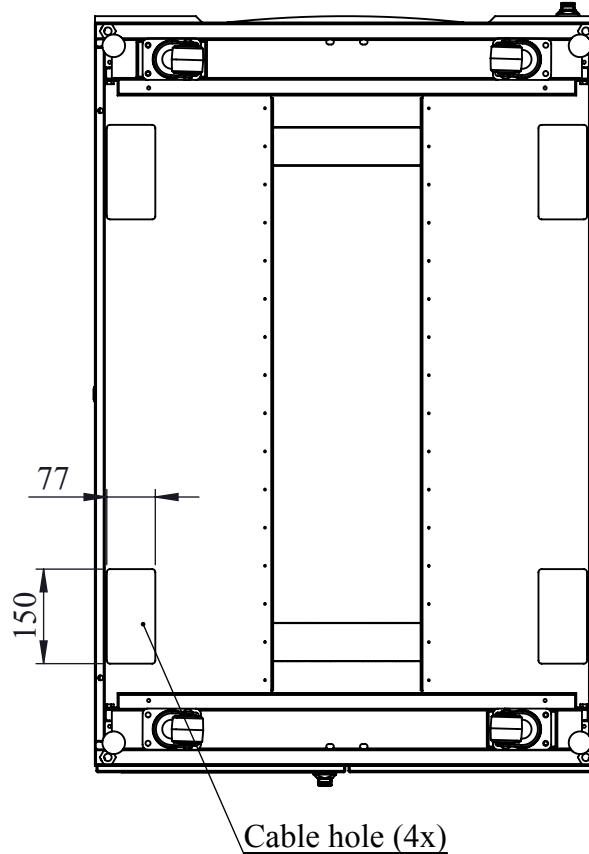
ANH MINH TECHNOLOGY COMPANY LIMITED-AMTEC CO.,LTD
 17/3, Binh Quoi A, Binh Chuan, Thuan An, Binh Duong, Viet Nam
 Tel: (84-650) 3612177 Fax: (84-650) 3612178
 Email: info@amtec.com.vn Web: www.amtec.com.vn

Customer:	-	Drawing title:	AMTEC Royal-DC® DATACENTER CABINET 36U 800x1200		Part No:	AMDC36-8120	
Design by: HUỖNH HỮU AN	Date:	Checked by: LÊ HOÀNG TUẤN	Date:	Material: SPCC t=1.0 to 2.0	Scale: 1:18	Sheet No:	
Drawn by: HUỖNH HỮU AN	Date:	Approved by: PHAN QUANG ĐỨC	Date:	Qty/Job: -	Unit: mm	7	
File name:	-	Drawing No:	3				

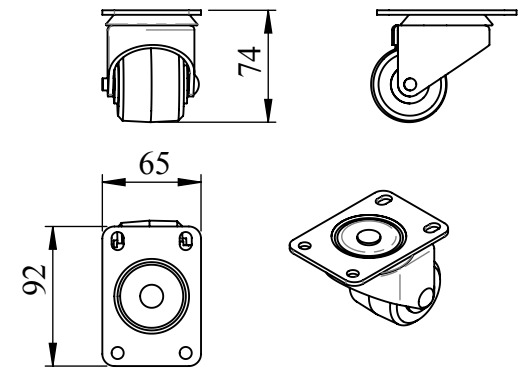
TOP VIEW



BOTTOM VIEW

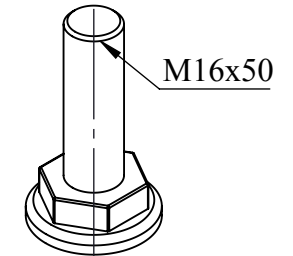


Caster



Max load 1200kg

Level feet



Max load 2000kg

amtec
 ANH MINH TECHNOLOGY COMPANY LIMITED-AMTEC CO.,LTD
 17/3, Binh Quoi A, Binh Chuan, Thuan An, Binh Duong, Viet Nam
 Tel: (84-650) 3612177 Fax: (84-650) 3612178
 Email: info@amtec.com.vn Web: www.amtec.com.vn

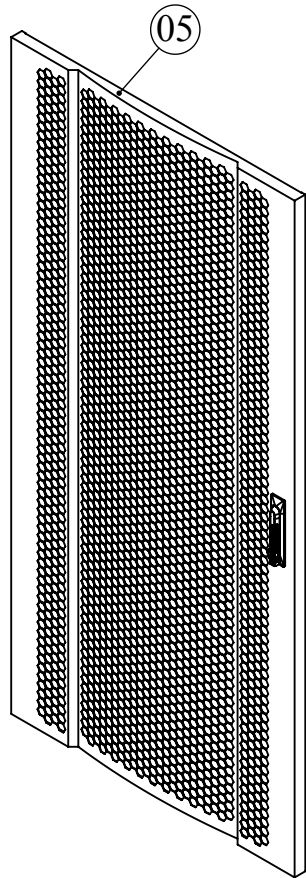
Customer:	-
Design by: HUYNH HUU AN	Date:
Drawn by: HUYNH HUU AN	Date:
File name:	-

Drawing title:	AMTEC Royal-DC® DATACENTER CABINET 36U 800x1200
Checked by: LÊ HOÀNG TUẤN	Date:
Approved by: PHAN QUANG ĐỨC	Date:

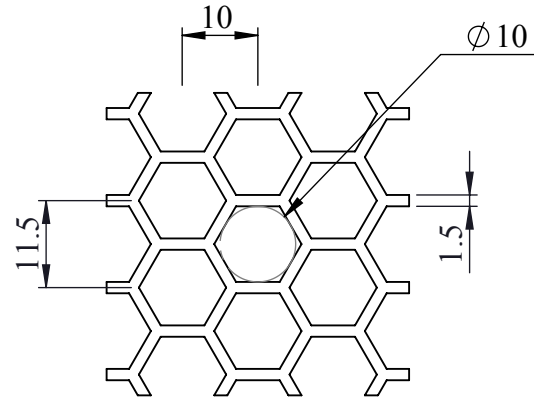
Part No:	AMDC36-8120
Material: SPCC t=1.0 to 2.0	Scale: 1:12
Qty/Job: -	Unit: mm
Drawing No:	4

Sheet No:
7

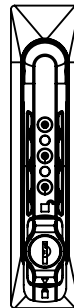
FRONT DOOR



DETAIL ITEM:

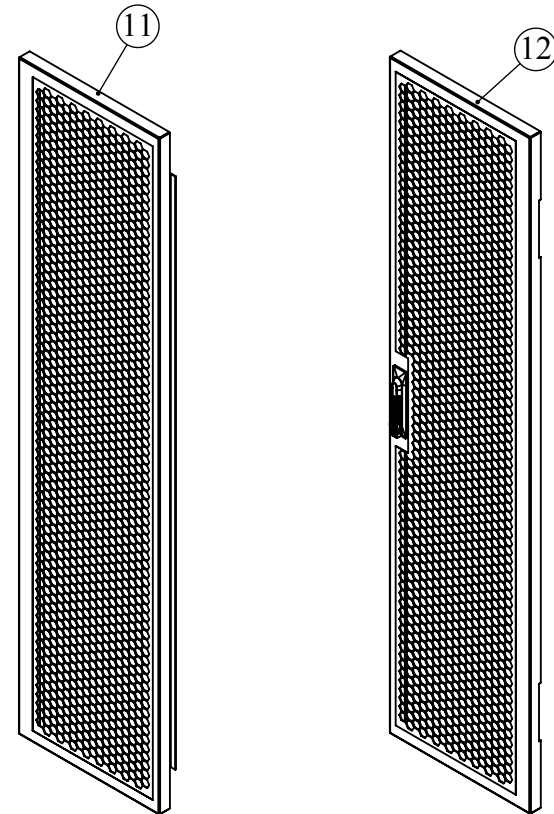


**DETAIL A: HEXAGON
>80% PERFORATED DOOR**



**SWINGHANDLE KEY
AND NUMBER LOCK**

REAR DOOR

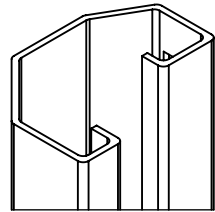
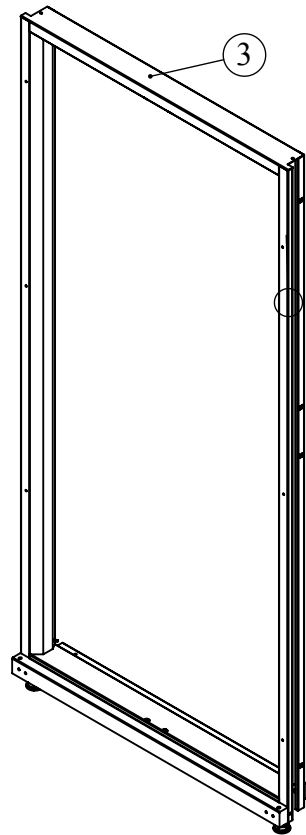


ANH MINH TECHNOLOGY COMPANY LIMITED-AMTEC CO.,LTD
 17/3, Binh Quoi A, Binh Chuan, Thuan An, Binh Duong, Viet Nam
 Tel: (84-650) 3612177 Fax: (84-650) 3612178
 Email: info@amtec.com.vn Web: www.amtec.com.vn

Customer:	-	Drawing title:	AMTEC Royal-DC® DATACENTER CABINET 36U 800x1200		Part No:	AMDC36-8120			
Design by:	HUỖNH HỮU AN	Date:		Checked by:	LÊ HOÀNG TUẤN	Date:			Sheet No: 7
Drawn by:	HUỖNH HỮU AN	Date:		Approved by:	PHAN QUANG ĐỨC	Date:			
File name:	-			Qty/Job:	-	Unit:		mm	
				Drawing No:	5				

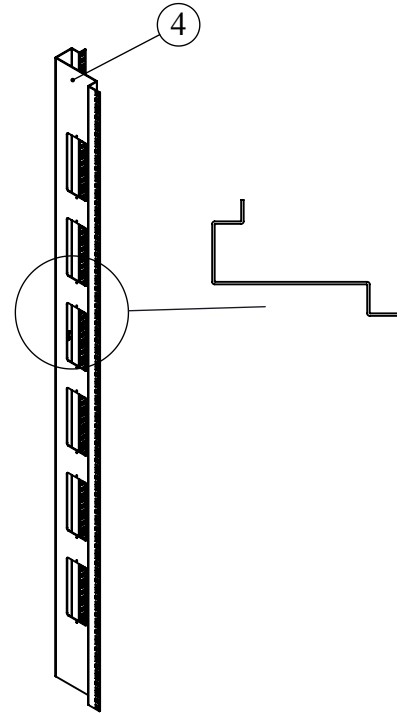
DETAIL ITEM:

FRAME

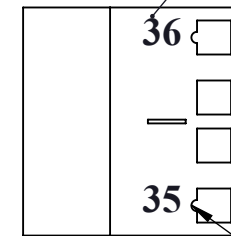


XTRUK 9 SIDES
MAX LOAD 2000kg

PROFILE BAR



U-HIGH
NUMBERING



KEY ID

MOUNTING PROFILE

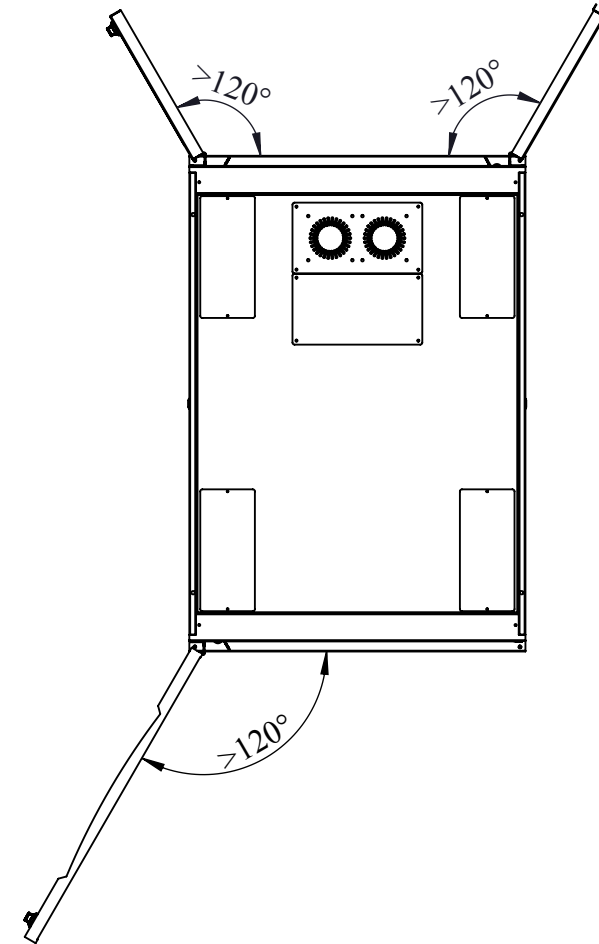
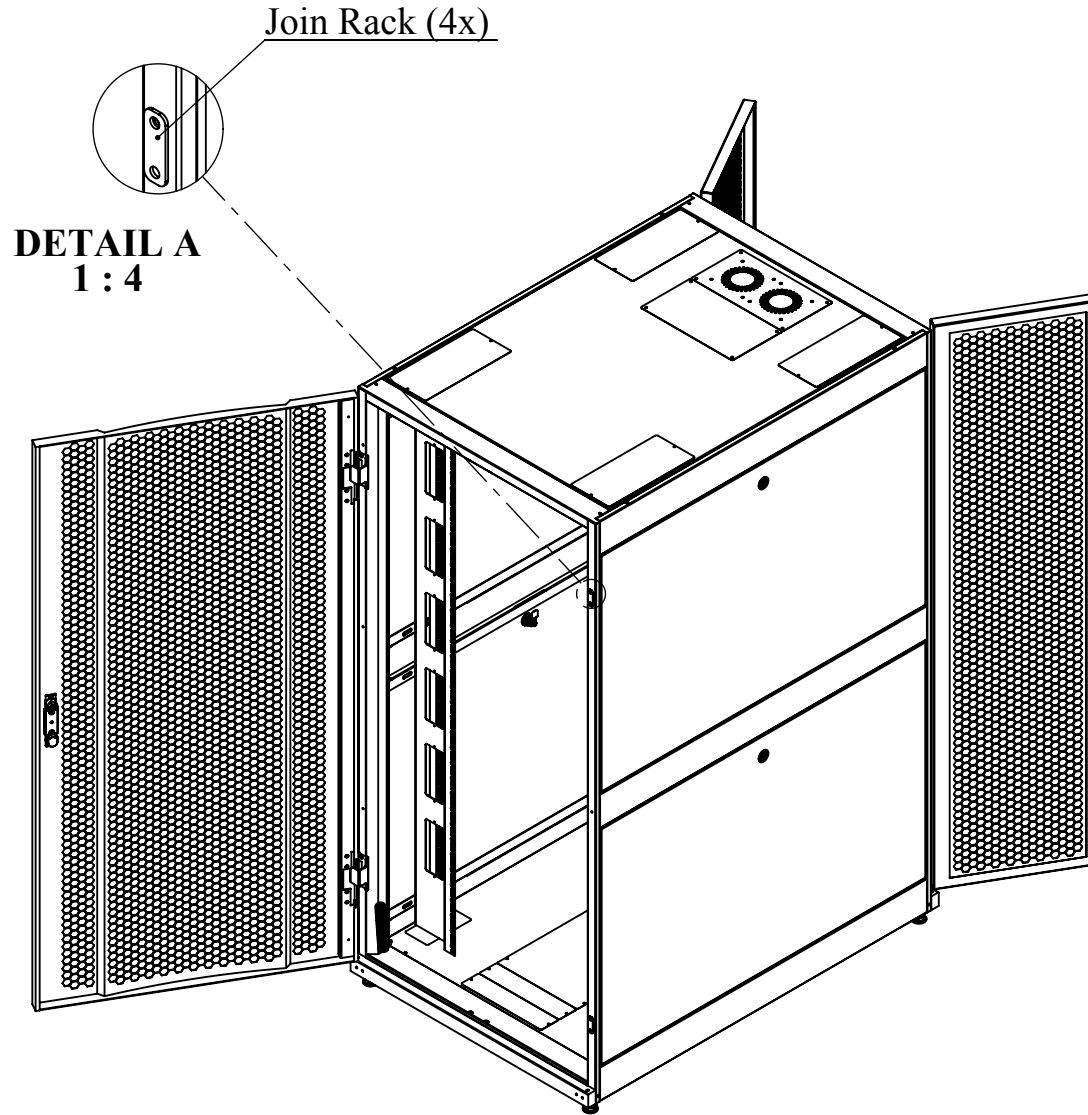


ANH MINH TECHNOLOGY COMPANY LIMITED-AMTEC CO.,LTD
17/3, Binh Quoi A, Binh Chuan, Thuan An, Binh Duong, Viet Nam
Tel: (84-650) 3612177 Fax: (84-650) 3612178
Email: info@amtec.com.vn Web: www.amtec.com.vn

Customer:	-	Drawing title:	AMTEC Royal-DC® DATACENTER CABINET 36U 800x1200		Part No:	AMDC36-8120								
Design by:	HUỖNH HỮU AN	Date:	-	Checked by:	LÊ HOÀNG TUẤN	Date:		-	Material:	SPCC t=1.0 to 2.0	Scale:	1:16	Sheet No:	7
Drawn by:	HUỖNH HỮU AN	Date:	-	Approved by:	PHAN QUANG ĐỨC	Date:		-	Qty/Job:	-	Unit:	mm		
File name:	-			Drawing No:	6									

ISOMETRIC VIEW

TOP VIEW



ANH MINH TECHNOLOGY COMPANY LIMITED-AMTEC CO.,LTD
 17/3, Binh Quoi A, Binh Chuan, Thuan An, Binh Duong, Viet Nam
 Tel: (84-650) 3612177 Fax: (84-650) 3612178
 Email: info@amtec.com.vn Web: www.amtec.com.vn

Customer:	-	Drawing title:	AMTEC Royal-DC® DATACENTER CABINET 36U 800x1200		Part No:	AMDC36-8120								
Design by:	HUỲNH HỮU AN	Date:	-	Checked by:	LÊ HOÀNG TUẤN	Date:		-	Material:	SPCC t=1.0 to 2.0	Scale:	1:18	Sheet No:	7
Drawn by:	HUỲNH HỮU AN	Date:	-	Approved by:	PHAN QUANG ĐỨC	Date:		-	Qty/Job:	-	Unit:	mm		
File name:	-			Drawing No:	7									