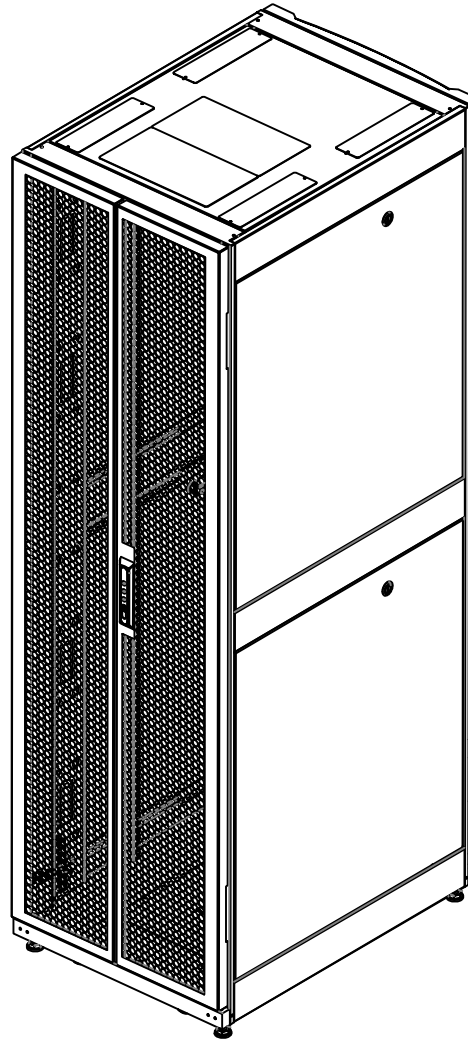
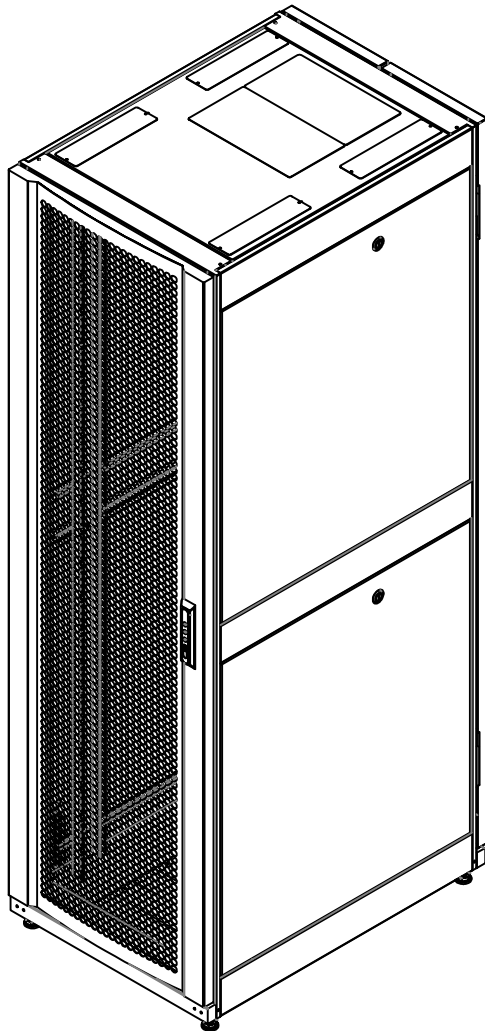


FRONT&RIGHT VIEW

REAR&LEFT VIEW

①



Thông số kỹ thuật:

1	Các tiêu chuẩn	. ANSI/EIA 310-D, phần A . DIN 41494. . BS 5954 phần 2. . IEC 60297-1, IEC 60297-2 . RoHS. . IP20.
2	Độ dày thép	. Khung 2mm. . Thanh treo thiết bị 2mm. . Cửa trước và sau 1.2mm. . Cửa hông 1mm. . Đế che 1.5mm . Thanh bắt nguồn/Quản lý cáp 1mm. . Thanh nối khung trước&sau 2mm.
3	Tải trọng	. Trên các bánh xe 1000 kg. . Trên các chân đế 1500 kg. . Tải trọng trên nóc 80 kg. . Tải trọng trên đế 80 kg.
4	Màu sơn	Sơn tĩnh điện màu đen
5	Độ thông thoáng	Cửa lưới lọc góc trước&sau thông thoáng >80%

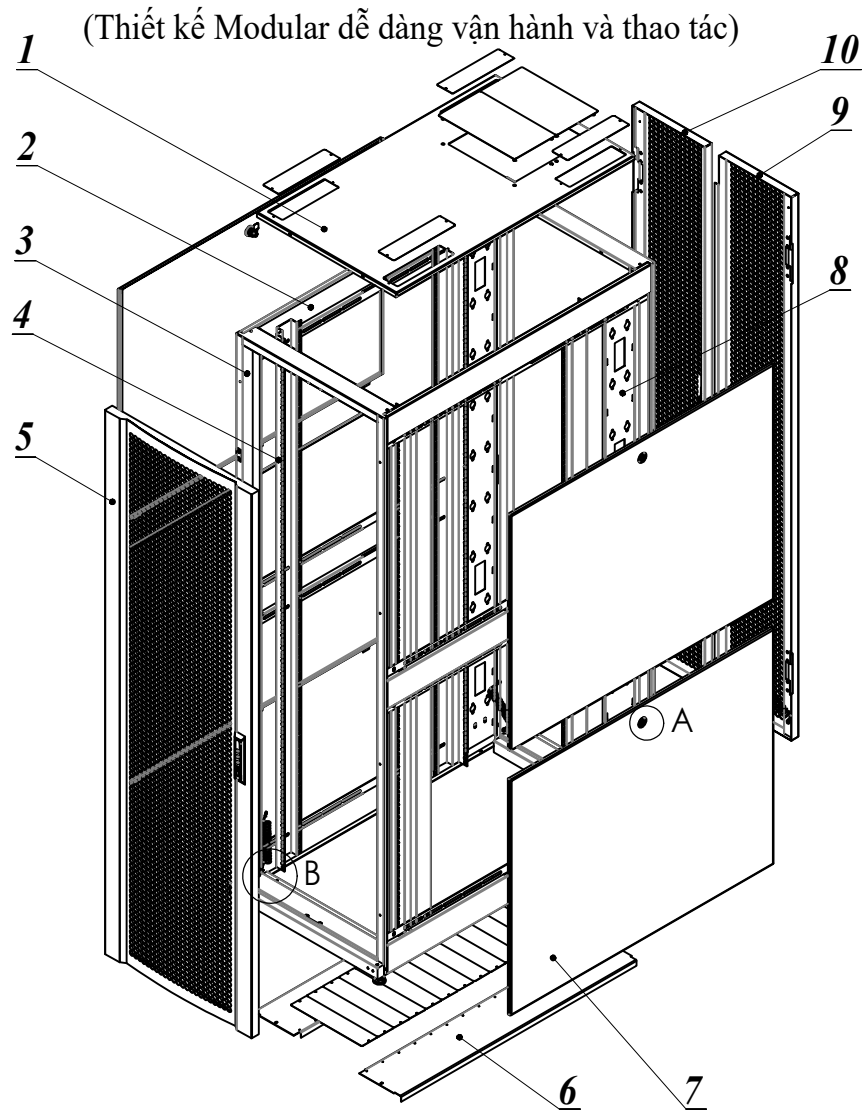


ANH MINH TECHNOLOGY COMPANY LIMITED-AMTEC CO.,LTD
17/3, Binh Quoi A, Binh Chuan, Thuan An, Binh Duong, Viet Nam
Tel: (84-274) 3612177 Fax: (84-274) 3612178
Email: info@amtec.com.vn Web: www.amtec.com.vn

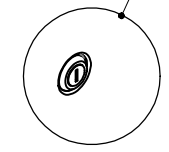
Customer:	Drawing title: AMTEC ROYAL-DC DATACENTER CABINET 36U 600x800	Part No: AMDC36-680	
Design by: Nguyễn Xuân Hùng Date: 06-03-2019	Checked by: Lê Hoàng Tuấn Date: 06-03-2019	Material: SPCC $t=1$ to 2	Scale: 1:20
Drawn by: Nguyễn Xuân Hùng Date: 06-03-2019	Approved by: Phan Quang Đức Date: 06-03-2019	Qty/Job: -	Unit: mm
File name: -	Drawing No: 01	Sheet No: 07	

EXPLODE VIEW

②

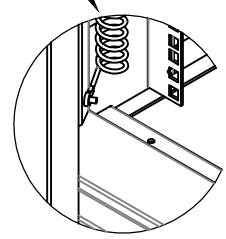


Khóa cửa hông
(4 cánh dùng chung chìa)



DETAIL A
SCALE 1 : 5

Vị trí tiếp địa
(1 Vị trí cửa trước,
2 vị trí cửa sau)



DETAIL B
SCALE 1 : 5

10	Rear door right	1	1.2	>80% perforated
9	Rear door left	1	1.2	>80% perforated
8	Cable management	2	1.0	Up to 4 PDU
7	Side door	4	1.0	
6	Base	2	1.5	
5	Front door	1	1.2	>80% perforated
4	Profile bar	4	2.0	
3	Frame	4	2.0	
2	Support bar	6	2.0	
1	Top roof	1	1.2	
Item	Name	Q'TY	Thick	Description



ANH MINH TECHNOLOGY COMPANY LIMITED-AMTEC CO.,LTD
17/3, Binh Quoi A, Binh Chuan, Thuan An, Binh Duong, Viet Nam
Tel: (84-274) 3612177 Fax: (84-274) 3612178
Email: info@amtec.com.vn Web: www.amtec.com.vn

Customer:

Drawing title:
AMTEC ROYAL-DC DATACENTER CABINET
36U 600x800

Part No:
AMDC36-680



Design by: Nguyễn Xuân Hùng Date: 06-03-2019

Checked by: Lê Hoàng Tuấn Date: 06-03-2019

Material: SPCC t= 1 to 2 Scale: 1:20

Sheet No:

Drawn by: Nguyễn Xuân Hùng Date: 06-03-2019

Approved by: Phan Quang Đức Date: 06-03-2019

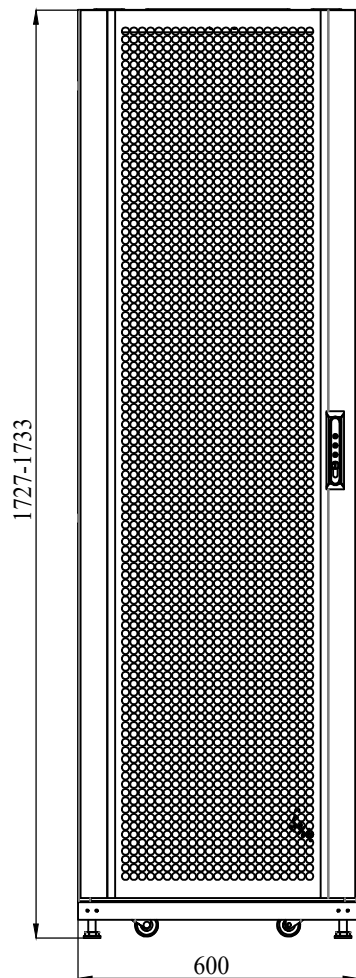
Qty/Job: - Unit: mm

07

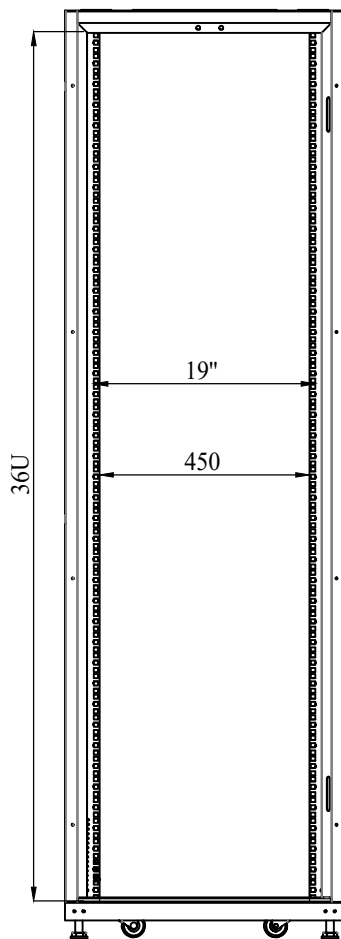
File name: -

Drawing No: 02

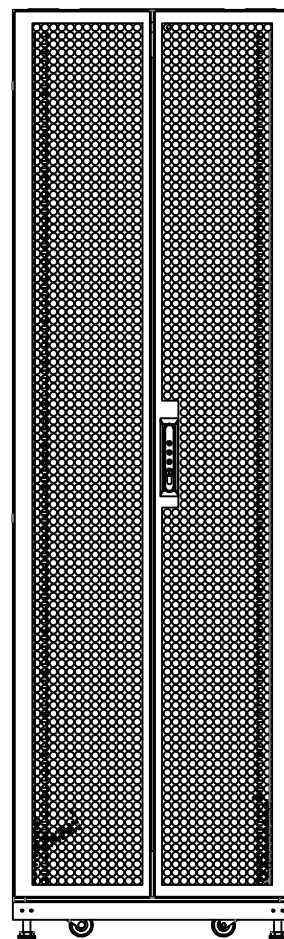
FRONT VIEW



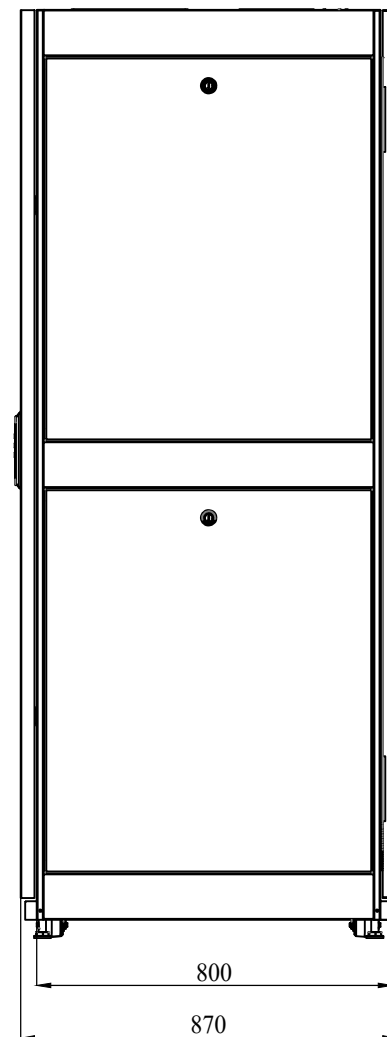
**FRONT VIEW
(REMOVED DOOR)**



REAR VIEW



SIDE VIEW



ANH MINH TECHNOLOGY COMPANY LIMITED-AMTEC CO.,LTD
 17/3, Binh Quoi A, Binh Chuan, Thuan An, Binh Duong, Viet Nam
 Tel: (84-274) 3612177 Fax: (84-274) 3612178
 Email: info@amtec.com.vn Web: www.amtec.com.vn

Customer:
Design by: Nguyễn Xuân Hùng **Date:** 06-03-2019
Drawn by: Nguyễn Xuân Hùng **Date:** 06-03-2019
File name:

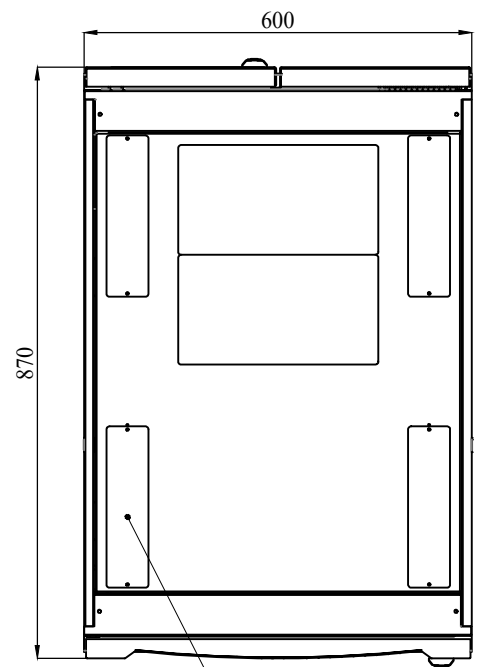
Drawing title:
 AMTEC ROYAL-DC DATACENTER CABINET
 36U 600x800
Checked by: Lê Hoàng Tuấn **Date:** 06-03-2019
Approved by: Phan Quang Đức **Date:** 06-03-2019

Part No: AMDC36-680
Material: SPCC t=1.0 2 **Scale:** 1:15
Unit: mm
Drawing No: 03

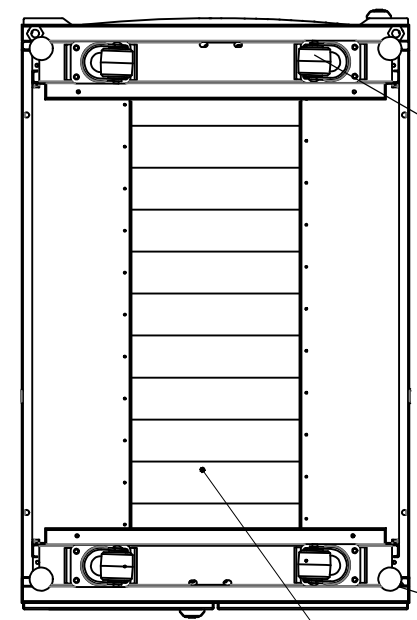
Sheet No:
 07

TOP VIEW

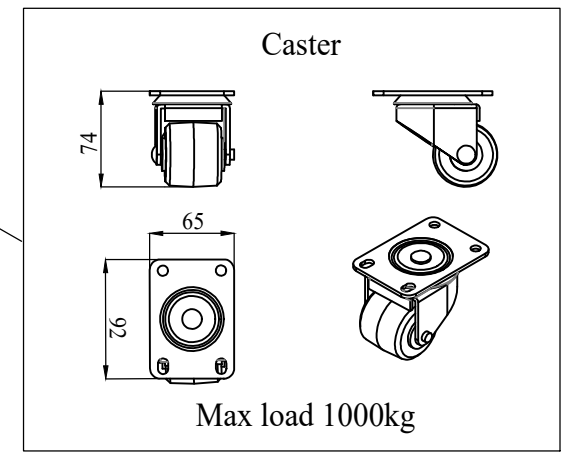
BOTTOM VIEW



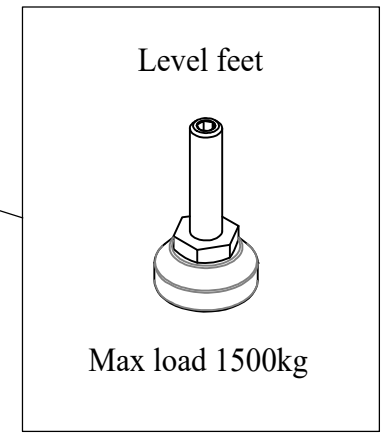
Cable hole 60x240 (4x)



Base Cover 65x270



Max load 1000kg



Max load 1500kg

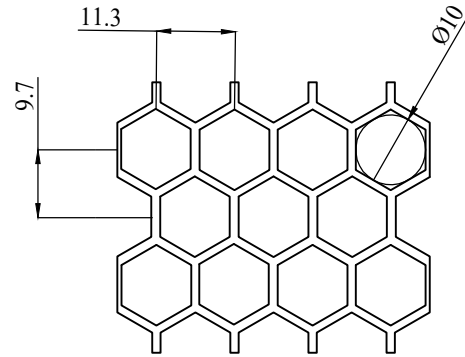
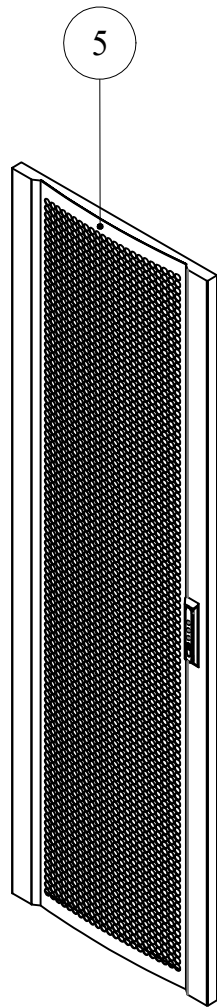


ANH MINH TECHNOLOGY COMPANY LIMITED-AMTEC CO.,LTD
 17/3, Binh Quoi A, Binh Chuan, Thuan An, Binh Duong, Viet Nam
 Tel: (84-274) 3612177 Fax: (84-274) 3612178
 Email: info@amtec.com.vn Web: www.amtec.com.vn

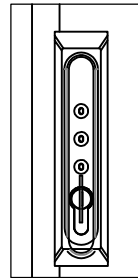
Customer:	Drawing title: AMTEC ROYAL-DC DATACENTER CABINET 36U 600x800	Part No: AMDC36-680		
Design by: Nguyễn Xuân Hùng Date: 06-03-2019	Checked by: Lê Hoàng Tuấn Date: 06-03-2019	Material: SPCC t=1 to 2	Scale: 1:10	
Drawn by: Nguyễn Xuân Hùng Date: 06-03-2019	Approved by: Phan Quang Đức Date: 06-03-2019	Qty/Job: -	Unit: mm	
File name:	-	Drawing No: 04		

DETAIL ITEM: 5-9-10

5

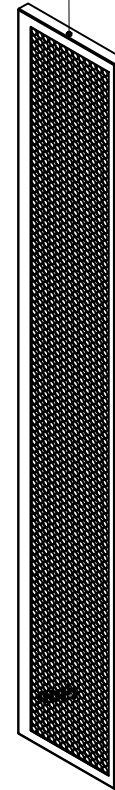


>80% HEXAGON PERFORATED DOOR

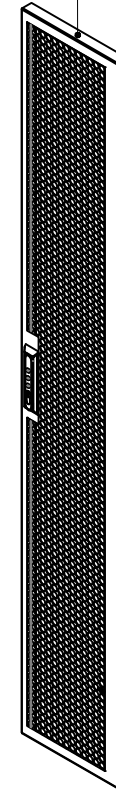


SWINGHANDLE KEY

9



10



ANH MINH TECHNOLOGY COMPANY LIMITED-AMTEC CO.,LTD
 17/3, Binh Quoi A, Binh Chuan, Thuan An, Binh Duong, Viet Nam
 Tel: (84-274) 3612177 Fax: (84-274) 3612178
 Email: info@amtec.com.vn Web: www.amtec.com.vn

Customer:	
Design by: Nguyễn Xuân Hùng	Date: 06-03-2019
Drawn by: Nguyễn Xuân Hùng	Date: 06-03-2019
File name:	-

Drawing title:	AMTEC ROYAL-DC DATACENTER CABINET 36U 600x800
Checked by: Lê Hoàng Tuấn	Date: 06-03-2019
Approved by: Phan Quang Đức	Date: 06-03-2019

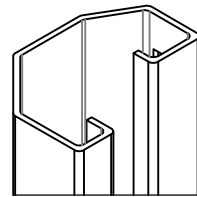
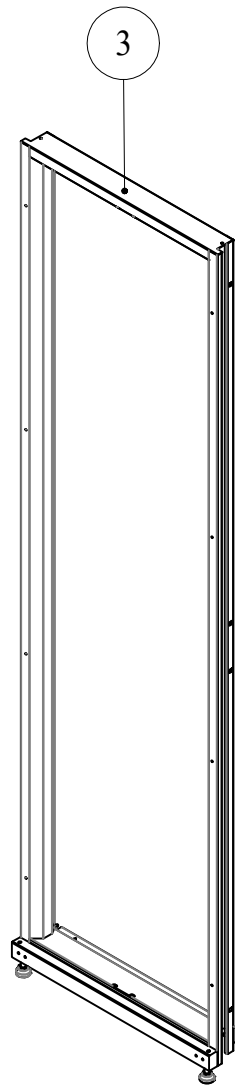
Part No:	AMDC36-680
Material: SPCC	t=1 to 2
Qty/Job:	-
Scale:	1:15
Unit:	mm
Drawing No:	05



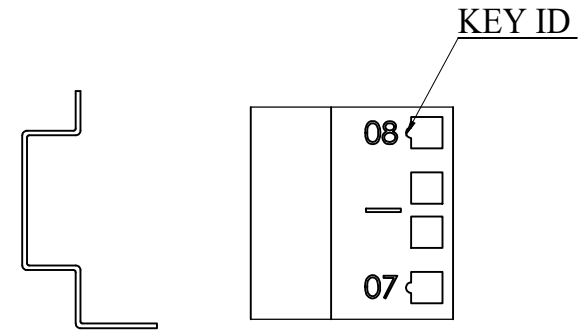
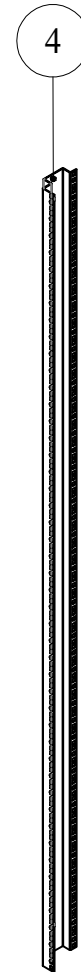
Sheet No:
07

DETAIL ITEM: 3-4

6



XTRUK 9 SIDES
MAX LOAD 1500kg



MOUNTING PROFILE
WITH KEY ID&U-HIGH
NUMBERING

Thanh bắt thiết bị 6 cạnh vững chắc
và được đánh số rõ ràng từng U từ thấp đến cao



ANH MINH TECHNOLOGY COMPANY LIMITED-AMTEC CO.,LTD
17/3, Binh Quoi A, Binh Chuan, Thuan An, Binh Duong, Viet Nam
Tel: (84-274) 3612177 Fax: (84-274) 3612178
Email: info@amtec.com.vn Web: www.amtec.com.vn

Customer:

Drawing title:

AMTEC ROYAL-DC DATACENTER CABINET
36U 600x800

Part No:

AMDC36-680

Design by: Nguyễn Xuân Hùng Date: 06-03-2019

Checked by: Lê Hoàng Tuấn Date: 06-03-2019

Material: SPCC t=1 to 2

Scale: 1:15

Sheet No:

Drawn by: Nguyễn Xuân Hùng Date: 06-03-2019

Approved by: Phan Quang Đức Date: 06-03-2019

Qty/Job: -

Unit: mm

07

File name:

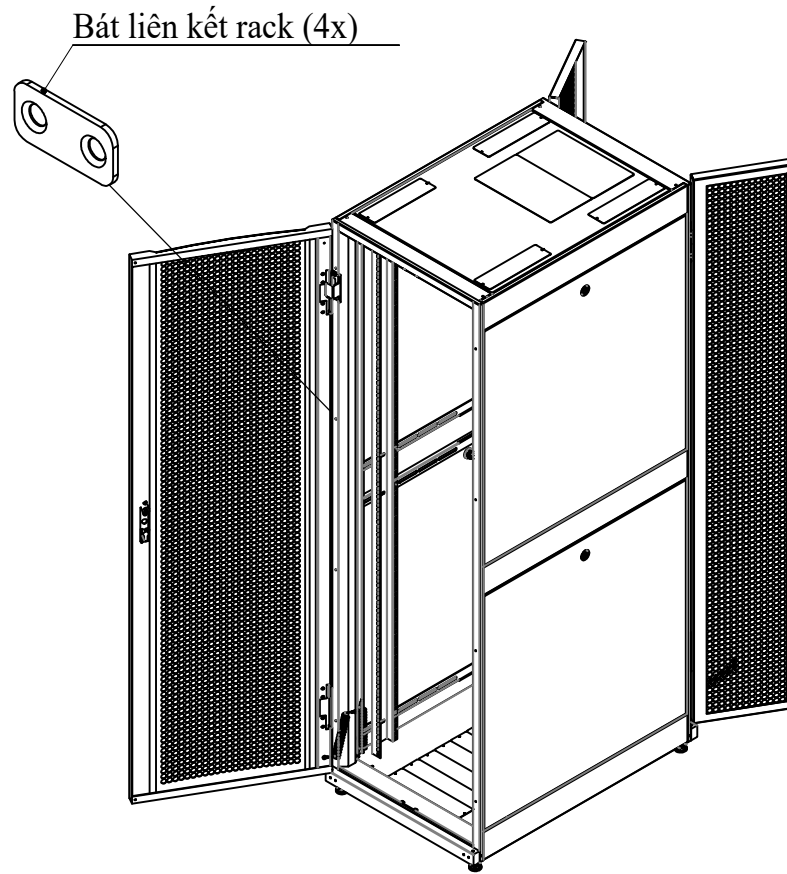
-

Drawing No:

06



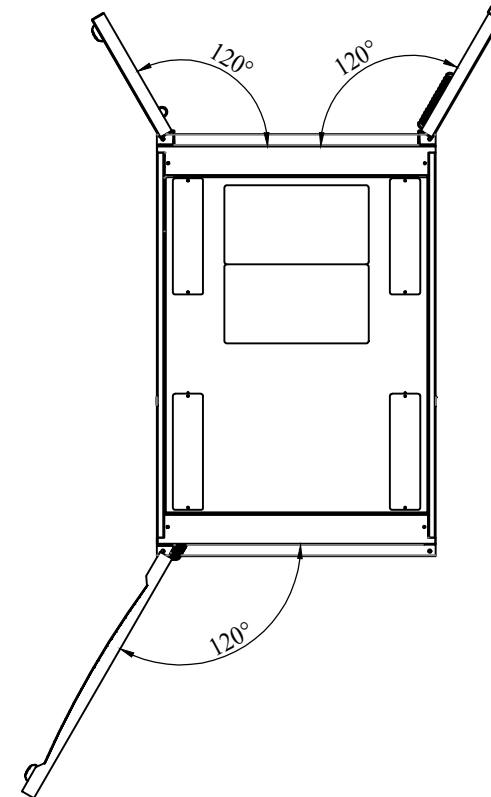
ISOMETRIC VIEW



TOP VIEW

7

Góc mở cửa trước và sau 120 độ



ANH MINH TECHNOLOGY COMPANY LIMITED-AMTEC CO.,LTD
 17/3, Binh Quoi A, Binh Chuan, Thuan An, Binh Duong, Viet Nam
 Tel: (84-274) 3612177 Fax: (84-274) 3612178
 Email: info@amtec.com.vn Web: www.amtec.com.vn

Customer:	Drawing title: AMTEC ROYAL-DC DATACENTER CABINET 36U 600x800	Part No: AMDC36-680	
Design by: Nguyễn Xuân Hùng Date: 06-03-2019	Checked by: Lê Hoàng Tuấn Date: 06-03-2019	Material: SPCC t=1 to 2 Scale: 1:10	
Drawn by: Nguyễn Xuân Hùng Date: 06-03-2019	Approved by: Phan Quang Đức Date: 06-03-2019	Qty/Job: - Unit: mm	Sheet No: 07
File name:	-	Drawing No: 07	