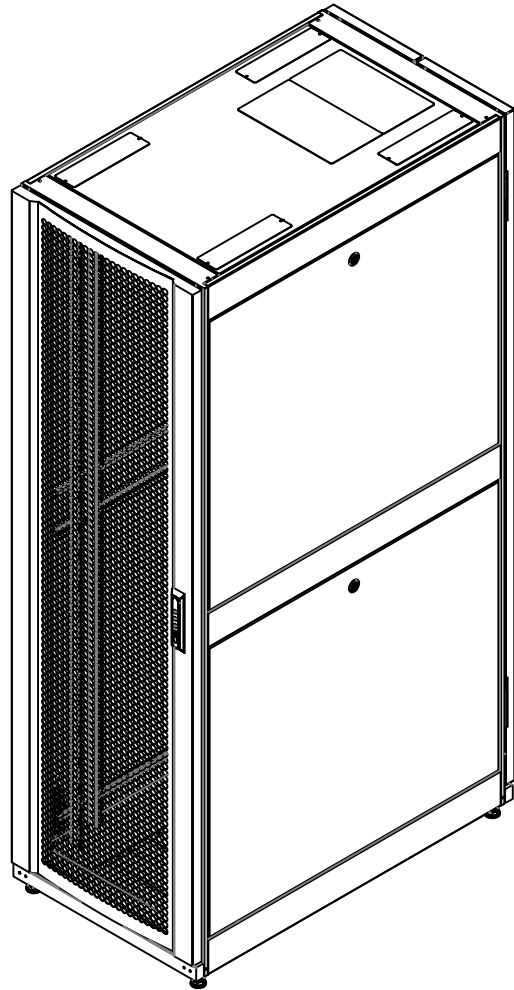
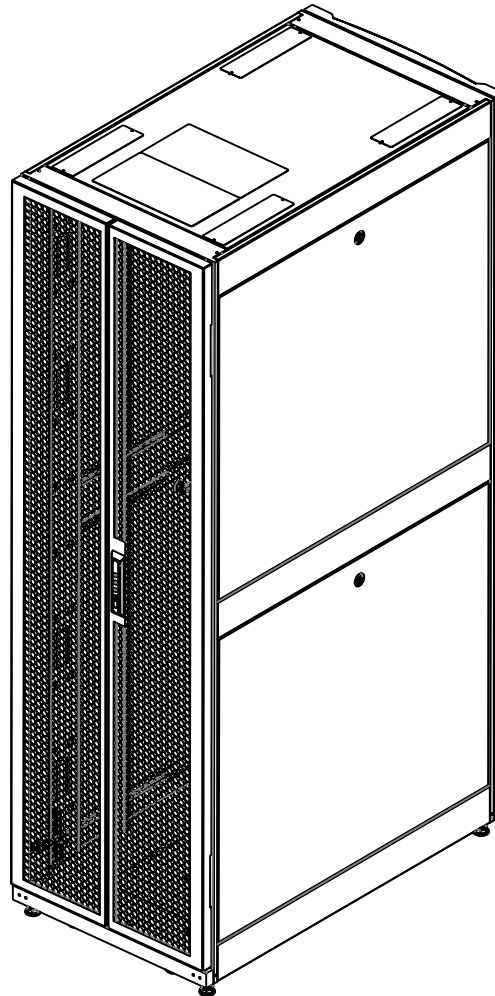


## FRONT&RIGHT VIEW



## REAR&LEFT VIEW



①

### Thông số kỹ thuật:

1	Các tiêu chuẩn	<ul style="list-style-type: none"> <li>. ANSI/EIA 310-D, phần A</li> <li>. DIN 41494.</li> <li>. BS 5954 phần 2.</li> <li>. IEC 60297-1, IEC 60297-2</li> <li>. RoHS.</li> <li>. IP20.</li> </ul>
2	Độ dày thép	<ul style="list-style-type: none"> <li>. Khung 2mm.</li> <li>. Thanh treo thiết bị 2mm.</li> <li>. Cửa trước và sau 1.2mm.</li> <li>. Cửa hông 1mm.</li> <li>. Đế che 1.5mm</li> <li>. Thanh bắt nguồn/Quản lý cáp 1mm.</li> <li>. Thanh nối khung trước&amp;sau 2mm.</li> </ul>
3	Tải trọng	<ul style="list-style-type: none"> <li>. Trên các bánh xe 1000 kg.</li> <li>. Trên các chân đế 1500 kg.</li> <li>. Tải trọng trên nóc 80 kg.</li> <li>. Tải trọng trên đế 80 kg.</li> </ul>
4	Màu sơn	Sơn tĩnh điện màu đen
5	Độ thông thoáng	Cửa lưới lọc góc trước&sau thông thoáng >80%



ANH MINH TECHNOLOGY COMPANY LIMITED-AMTEC CO.,LTD  
 17/3, Binh Quoi A, Binh Chuan, Thuan An, Binh Duong, Viet Nam  
 Tel: (84-274) 3612177 Fax: (84-274) 3612178  
 Email: info@amtec.com.vn Web: www.amtec.com.vn

Customer:

Drawing title:

AMTEC ROYAL-DC DATACENTER CABINET  
 36U 600x1000

Part No:

AMDC36-6100



Design by: Nguyễn Xuân Hùng Date: 06-03-2019

Checked by: Lê Hoàng Tuấn Date: 06-03-2019

Material: SPCC  $\mp$  1 to 2

Scale: 1:20

Sheet No:

Drawn by: Nguyễn Xuân Hùng Date: 06-03-2019

Approved by: Phan Quang Đức Date: 06-03-2019

Qty/Job: -

Unit: mm

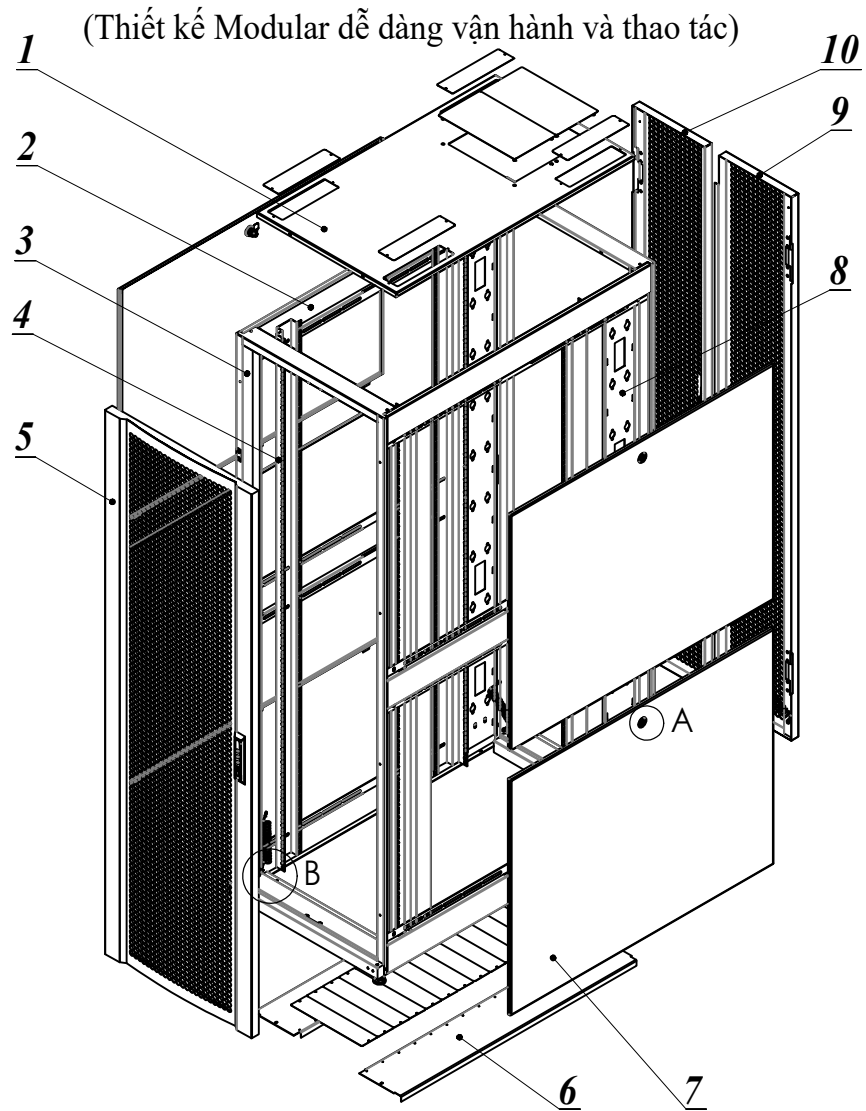
07

File name:

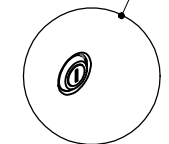
Drawing No: 01

# EXPLODE VIEW

②

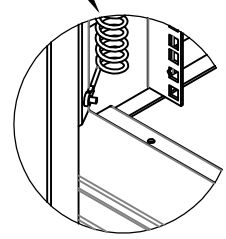


Khóa cửa hông  
(4 cánh dùng chung chìa)



DETAIL A  
SCALE 1 : 5

Vị trí tiếp địa  
(1 Vị trí cửa trước,  
2 vị trí cửa sau)



DETAIL B  
SCALE 1 : 5

10	Rear door right	1	1.2	>80% perforated
9	Rear door left	1	1.2	>80% perforated
8	Cable management	2	1.0	Up to 4 PDU
7	Side door	4	1.0	
6	Base	2	1.5	
5	Front door	1	1.2	>80% perforated
4	Profile bar	4	2.0	
3	Frame	4	2.0	
2	Support bar	6	2.0	
1	Top roof	1	1.2	
Item	Name	Q'TY	Thick	Description

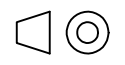


ANH MINH TECHNOLOGY COMPANY LIMITED-AMTEC CO.,LTD  
17/3, Binh Quoi A, Binh Chuan, Thuan An, Binh Duong, Viet Nam  
Tel: (84-274) 3612177 Fax: (84-274) 3612178  
Email: info@amtec.com.vn Web: www.amtec.com.vn

Customer:

Drawing title:  
AMTEC ROYAL-DC DATACENTER CABINET  
36U 600x1000

Part No:  
AMDC36-6100



Design by: Nguyễn Xuân Hùng Date: 06-03-2019

Checked by: Lê Hoàng Tuấn Date: 06-03-2019

Material: SPCC t= 1 to 2 Scale: 1:20

Sheet No:

Drawn by: Nguyễn Xuân Hùng Date: 06-03-2019

Approved by: Phan Quang Đức Date: 06-03-2019

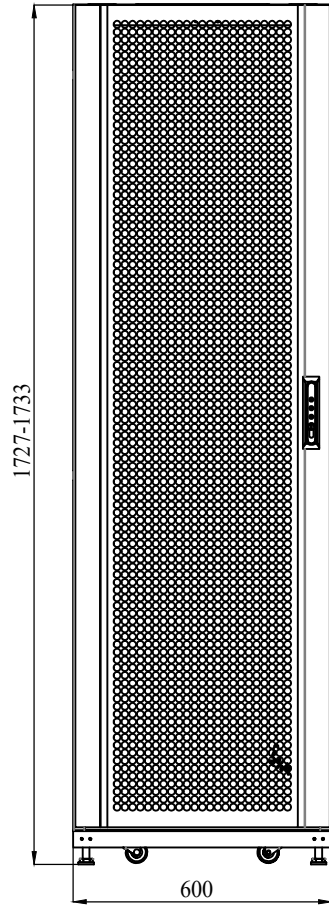
Qty/Job: - Unit: mm

07

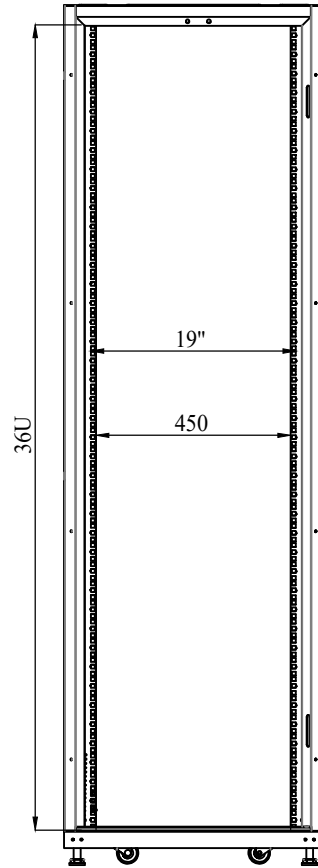
File name: -

Drawing No: 02

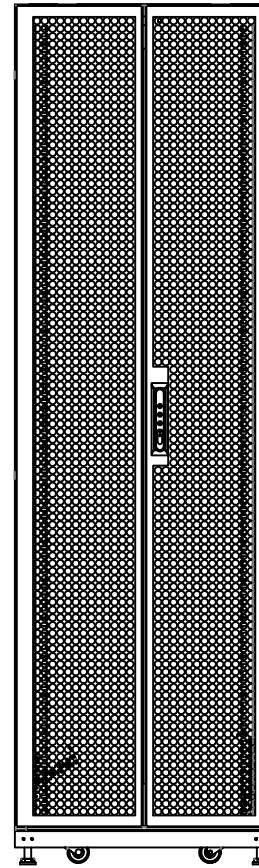
**FRONT VIEW**



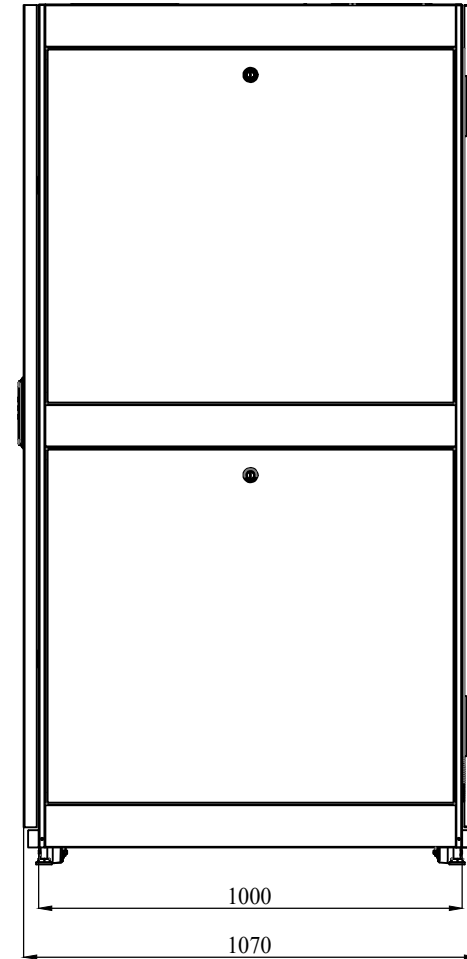
**FRONT VIEW  
(REMOVED DOOR)**



**REAR VIEW**



**SIDE VIEW**



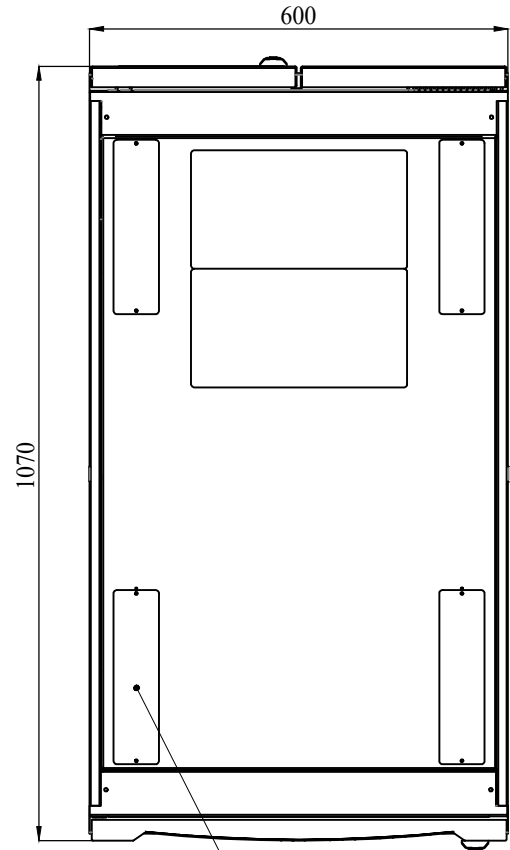
③



ANH MINH TECHNOLOGY COMPANY LIMITED-AMTEC CO.,LTD  
 17/3, Binh Quoi A, Binh Chuan, Thuan An, Binh Duong, Viet Nam  
 Tel: (84-274) 3612177 Fax: (84-274) 3612178  
 Email: info@amtec.com.vn Web: www.amtec.com.vn

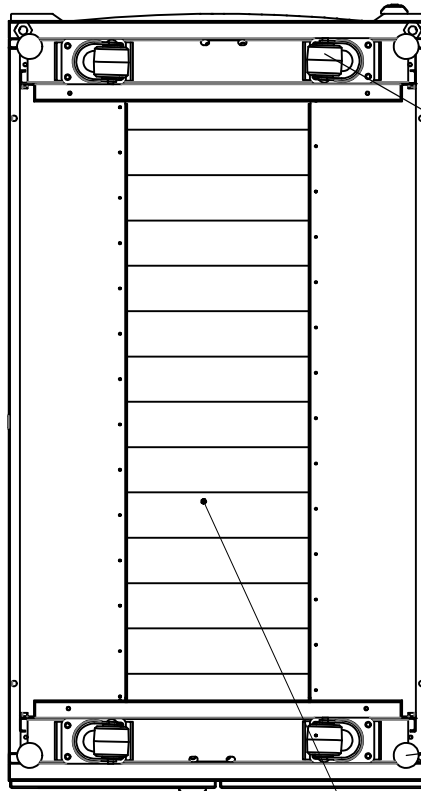
<b>Customer:</b>	<b>Drawing title:</b> AMTEC ROYAL-DC DATACENTER CABINET 36U 600x1000	<b>Part No:</b> AMDC36-6100		 <b>Sheet No:</b> 07
<b>Design by:</b> Nguyễn Xuân Hùng <b>Date:</b> 06-03-2019	<b>Checked by:</b> Lê Hoàng Tuấn <b>Date:</b> 06-03-2019	<b>Material:</b> SPCC t=1.2	<b>Scale:</b> 1:15	
<b>Drawn by:</b> Nguyễn Xuân Hùng <b>Date:</b> 06-03-2019	<b>Approved by:</b> Phan Quang Đức <b>Date:</b> 06-03-2019	<b>Qty/Job:</b> -	<b>Unit:</b> mm	
<b>File name:</b>	-	<b>Drawing No:</b> 03		

TOP VIEW

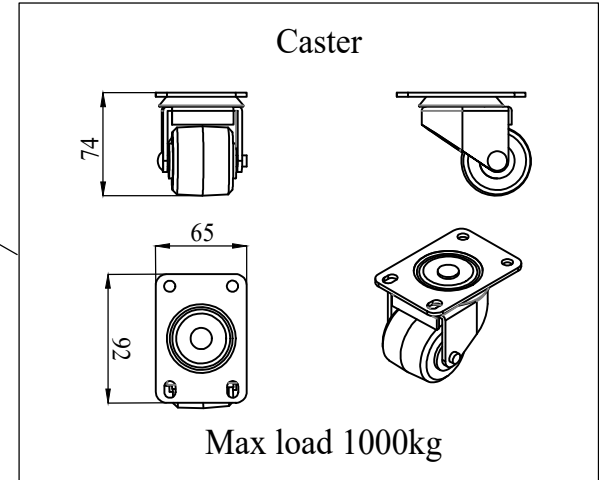


Cable hole 60x240 (4x)

BOTTOM VIEW

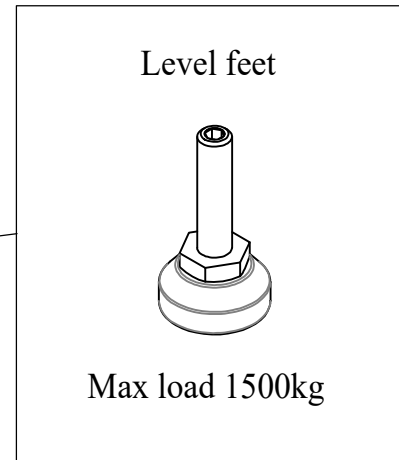


Base Cover 65x270



Caster

Max load 1000kg



Level feet

Max load 1500kg



ANH MINH TECHNOLOGY COMPANY LIMITED-AMTEC CO.,LTD  
 17/3, Binh Quoi A, Binh Chuan, Thuan An, Binh Duong, Viet Nam  
 Tel: (84-274) 3612177 Fax: (84-274) 3612178  
 Email: info@amtec.com.vn Web: www.amtec.com.vn

Customer:  
 Design by: Nguyễn Xuân Hùng Date: 06-03-2019  
 Drawn by: Nguyễn Xuân Hùng Date: 06-03-2019  
 File name:

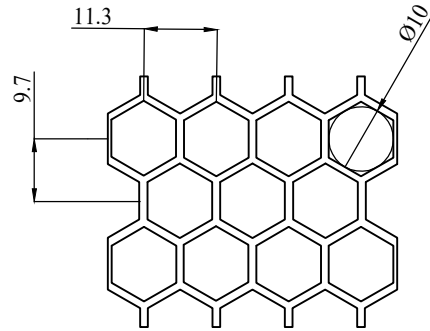
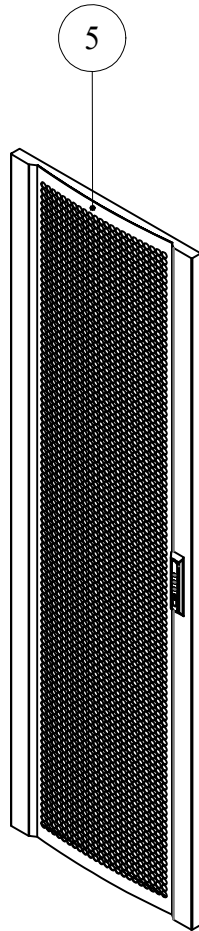
Drawing title:  
 AMTEC ROYAL-DC DATACENTER CABINET  
 36U 600x1000  
 Checked by: Lê Hoàng Tuấn Date: 06-03-2019  
 Approved by: Phan Quang Đức Date: 06-03-2019

Part No:  
 AMDC36-6100  
 Material: SPCC t=1 to 2  
 Qty/Job: -  
 Scale: 1:10  
 Unit: mm  
 Drawing No: 04

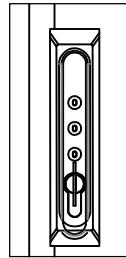
Sheet No:  
 07

**DETAIL ITEM: 5-9-10**

5

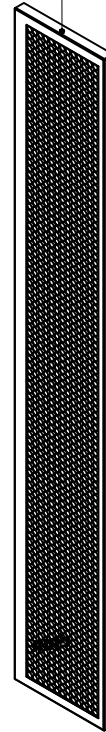


>80% HEXAGON  
PERFORATED DOOR

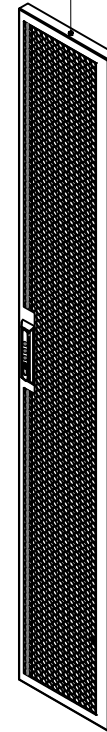


SWINGHANDLE KEY

9



10

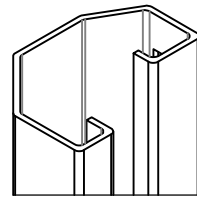
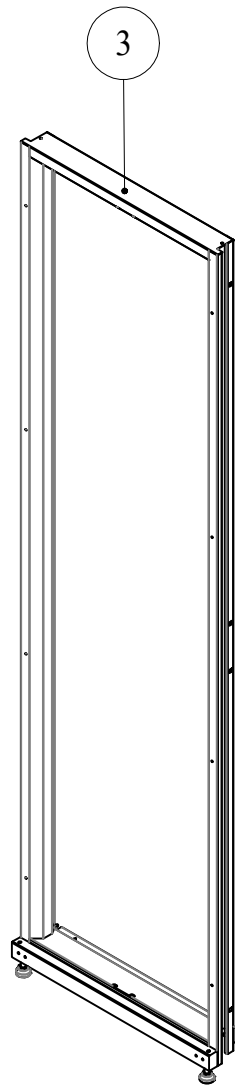


ANH MINH TECHNOLOGY COMPANY LIMITED-AMTEC CO.,LTD  
17/3, Binh Quoi A, Binh Chuan, Thuan An, Binh Duong, Viet Nam  
Tel: (84-274) 3612177 Fax: (84-274) 3612178  
Email: info@amtec.com.vn Web: www.amtec.com.vn

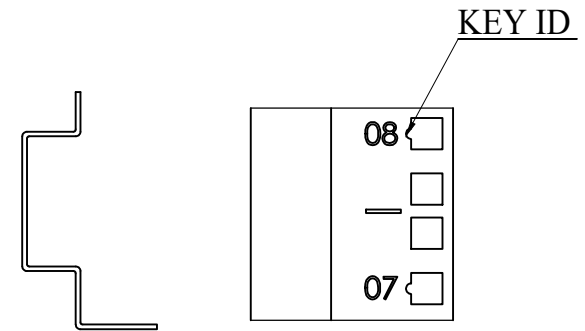
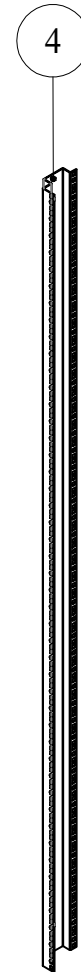
<b>Customer:</b>	<b>Drawing title:</b> AMTEC ROYAL-DC DATACENTER CABINET 36U 600x1000	<b>Part No:</b> AMDC36-6100		
<b>Design by:</b> Nguyễn Xuân Hùng <b>Date:</b> 06-03-2019	<b>Checked by:</b> Lê Hoàng Tuấn <b>Date:</b> 06-03-2019	<b>Material:</b> SPCC t=1 to 2	<b>Scale:</b> 1:15	
<b>Drawn by:</b> Nguyễn Xuân Hùng <b>Date:</b> 06-03-2019	<b>Approved by:</b> Phan Quang Đức <b>Date:</b> 06-03-2019	<b>Qty/Job:</b> -	<b>Unit:</b> mm	
<b>File name:</b>	-	<b>Drawing No:</b> 05		

# DETAIL ITEM: 3-4

6



XTRUK 9 SIDES  
MAX LOAD 1500kg



MOUNTING PROFILE  
WITH KEY ID&U-HIGH  
NUMBERING

Thanh bắt thiết bị 6 cạnh vững chắc  
và được đánh số rõ ràng từng U từ thấp đến cao



ANH MINH TECHNOLOGY COMPANY LIMITED-AMTEC CO.,LTD  
17/3, Binh Quoi A, Binh Chuan, Thuan An, Binh Duong, Viet Nam  
Tel: (84-274) 3612177 Fax: (84-274) 3612178  
Email: info@amtec.com.vn Web: www.amtec.com.vn

**Customer:**  
**Design by:** Nguyễn Xuân Hùng **Date:** 06-03-2019  
**Drawn by:** Nguyễn Xuân Hùng **Date:** 06-03-2019  
**File name:** -

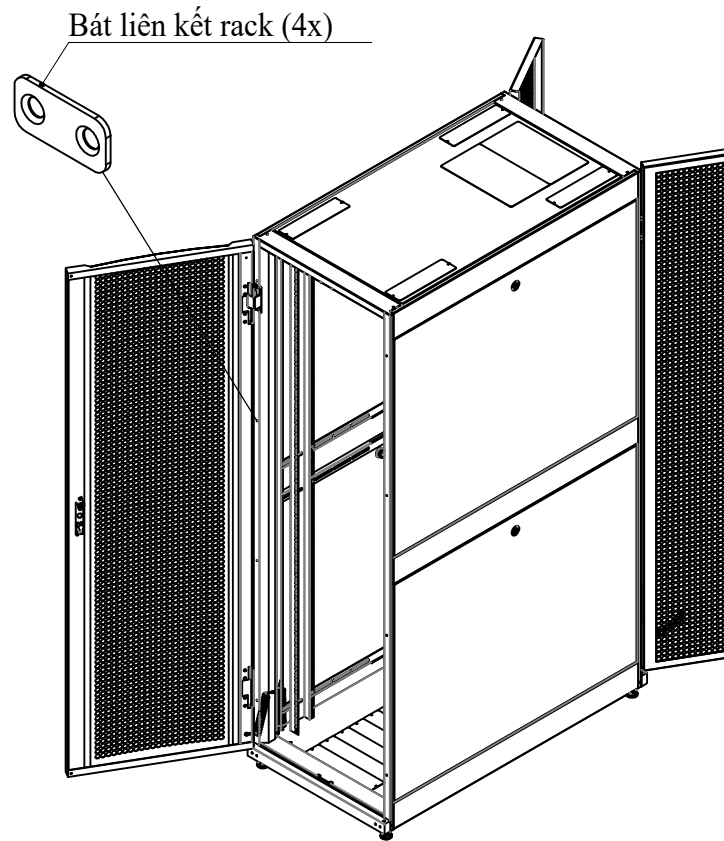
**Drawing title:**  
AMTEC ROYAL-DC DATACENTER CABINET  
36U 600x1000  
**Checked by:** Lê Hoàng Tuấn **Date:** 06-03-2019  
**Approved by:** Phan Quang Đức **Date:** 06-03-2019

**Part No:**  
AMDC36-6100  
**Material:** SPCC t=1 to 2  
**Scale:** 1:15  
**Qty/Job:** -  
**Unit:** mm  
**Drawing No:** 06



**Sheet No:**  
07

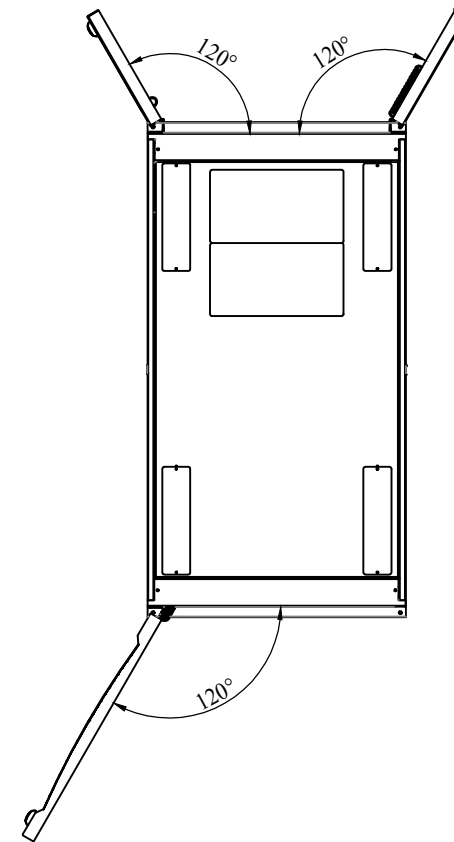
## ISOMETRIC VIEW



## TOP VIEW

⑦

Góc mở cửa trước và sau 120 độ



ANH MINH TECHNOLOGY COMPANY LIMITED-AMTEC CO.,LTD  
17/3, Binh Quoi A, Binh Chuan, Thuan An, Binh Duong, Viet Nam  
Tel: (84-274) 3612177 Fax: (84-274) 3612178  
Email: info@amtec.com.vn Web: www.amtec.com.vn

Customer:

Drawing title:

AMTEC ROYAL-DC DATACENTER CABINET  
36U 600x1000

Part No:

AMDC36-6100

Design by: Nguyễn Xuân Hùng Date: 06-03-2019

Checked by: Lê Hoàng Tuấn Date: 06-03-2019

Material: SPCC t=1 to 2

Scale: 1:10

Sheet No:

Drawn by: Nguyễn Xuân Hùng Date: 06-03-2019

Approved by: Phan Quang Đức Date: 06-03-2019

Qty/Job: -

Unit: mm

07

File name:

-

Drawing No:

07

