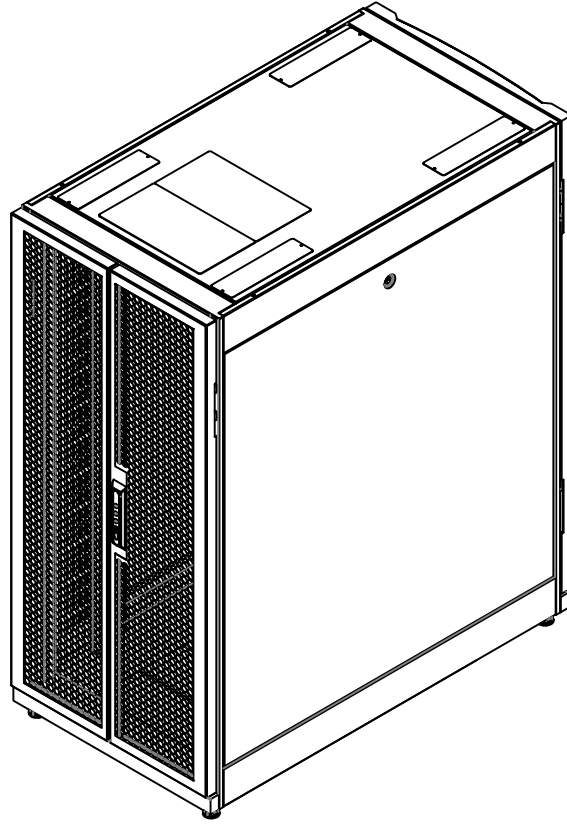
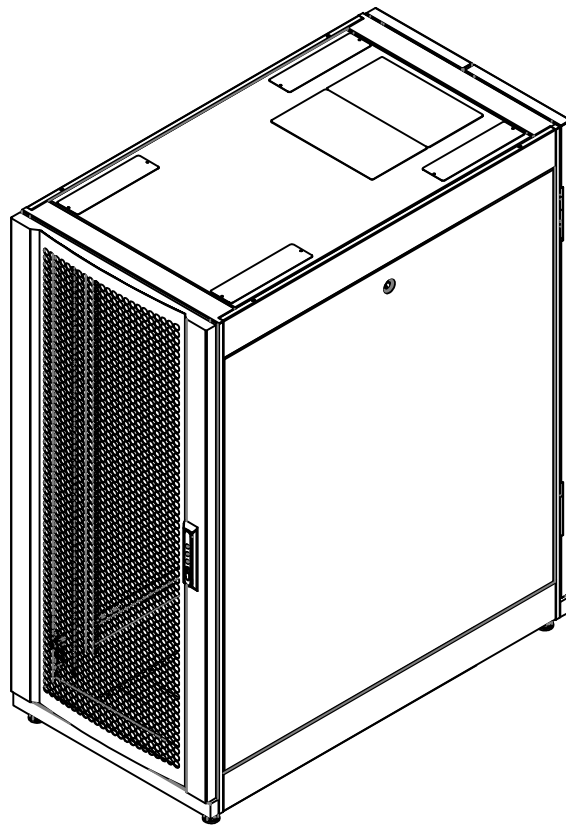


# FRONT&RIGHT VIEW

# REAR&LEFT VIEW

①



Thông số kỹ thuật:		
1	Các tiêu chuẩn	. ANSI/EIA 310-D, phần A . DIN 41494. . BS 5954 phần 2. . IEC 60297-1, IEC 60297-2 . RoHS. . IP20.
2	Độ dày thép	. Khung 2mm. . Thanh treo thiết bị 2mm. . Cửa trước và sau 1.2mm. . Cửa hông 1mm. . Đế che 1.5mm. . Thanh bật nguồn/Quản lý cáp 1mm. . Thanh nổi khung trước&sau 2mm.
3	Tải trọng	. Trên các bánh xe 1000 kg. . Trên các chân đế 1500 kg. . Tải trọng trên nóc 80 kg. . Tải trọng trên đế 80 kg.
4	Màu sơn	Sơn tĩnh điện màu đen
5	Độ thông thoáng	Cửa lưới lọc góc trước&sau thông thoáng >80%



ANH MINH TECHNOLOGY COMPANY LIMITED-AMTEC CO.,LTD  
17/3, Binh Quoi A, Binh Chuan, Thuan An, Binh Duong, Viet Nam  
Tel: (84-274) 3612177 Fax: (84-274) 3612178  
Email: info@amtec.com.vn Web: www.amtec.com.vn

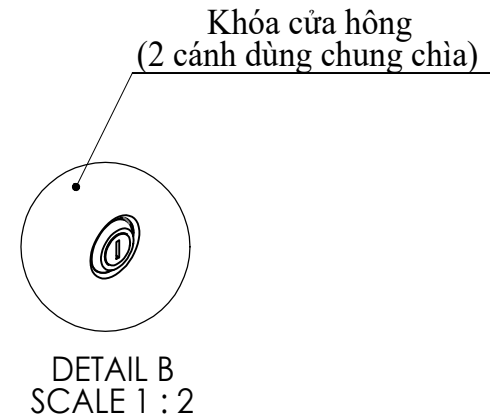
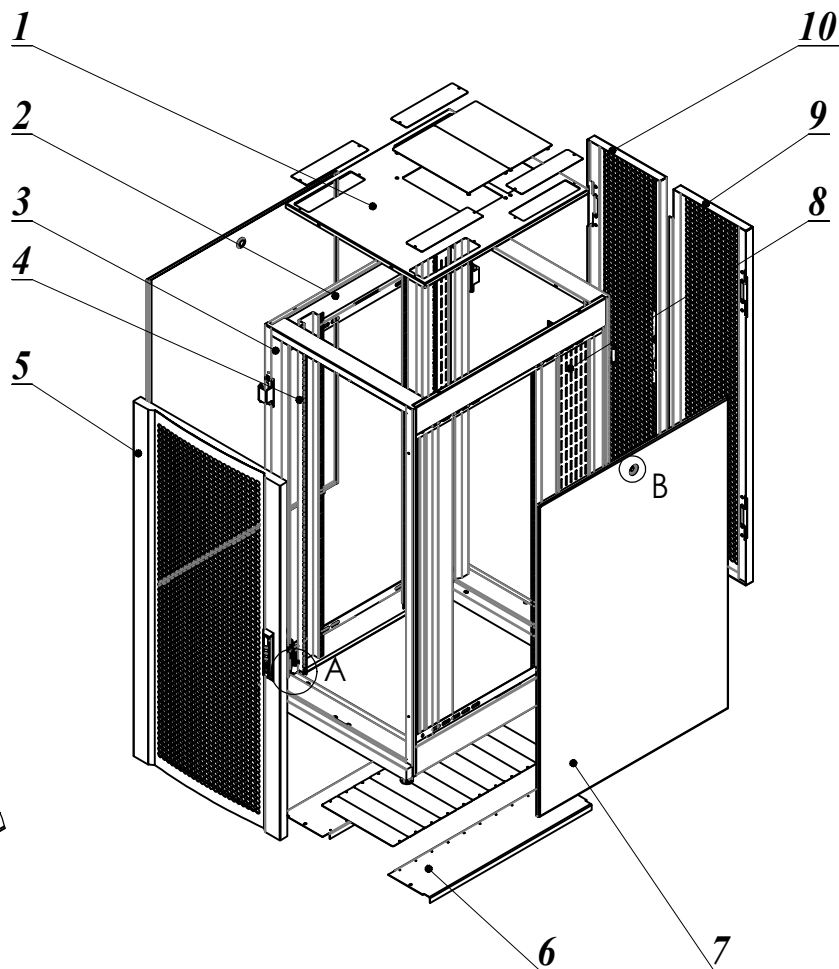
<b>Customer:</b>	<b>Drawing title:</b>	<b>Part No:</b>	
	AMTEC ROYAL-DC DATACENTER CABINET 27U 600x1100	AMDC27-6110	
<b>Design by:</b> Nguyễn Xuân Hùng <b>Date:</b> 06-03-2019	<b>Checked by:</b> Lê Hoàng Tuấn <b>Date:</b> 06-03-2019	<b>Material:</b> SPCC $t=1$ to 2 <b>Scale:</b> 1:15	
<b>Drawn by:</b> Nguyễn Xuân Hùng <b>Date:</b> 06-03-2019	<b>Approved by:</b> Phan Quang Đức <b>Date:</b> 06-03-2019	<b>Qty/Job:</b> - <b>Unit:</b> mm	
<b>File name:</b>	-	<b>Drawing No:</b> 01	

**Sheet No:**  
07

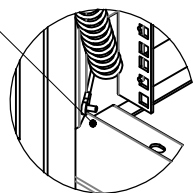
# EXPLODE VIEW

②

(Thiết kế Modular dễ dàng vận hành và thao tác)



Vị trí tiếp địa  
(1 Vị trí cửa trước,  
2 vị trí cửa sau)



DETAIL A  
SCALE 1 : 5

10	Rear door right	1	1.2	>80% perforated
9	Rear door left	1	1.2	>80% perforated
8	Cable management	2	1.0	Up to 4 PDU
7	Side door	2	1.0	
6	Base	2	1.5	
5	Front door	1	1.2	>80% perforated
4	Profile bar	4	2.0	
3	Frame	4	2.0	
2	Support bar	4	2.0	
1	Top roof	1	1.2	
Item	Name	Q'TY	Thick	Description



ANH MINH TECHNOLOGY COMPANY LIMITED-AMTEC CO.,LTD  
17/3, Binh Quoi A, Binh Chuan, Thuan An, Binh Duong, Viet Nam  
Tel: (84-274) 3612177 Fax: (84-274) 3612178  
Email: info@amtec.com.vn Web: www.amtec.com.vn

Customer:

Drawing title:

AMTEC ROYAL-DC DATACENTER CABINET  
27U 600x1100

Part No:

AMDC27-6110

Design by: Nguyễn Xuân Hùng Date: 06-03-2019

Checked by: Lê Hoàng Tuấn Date: 06-03-2019

Material: SPCC  $t=1$  to 2

Scale: 1:20

Sheet No:

Drawn by: Nguyễn Xuân Hùng Date: 06-03-2019

Approved by: Phan Quang Đức Date: 06-03-2019

Qty/Job: -

Unit: mm

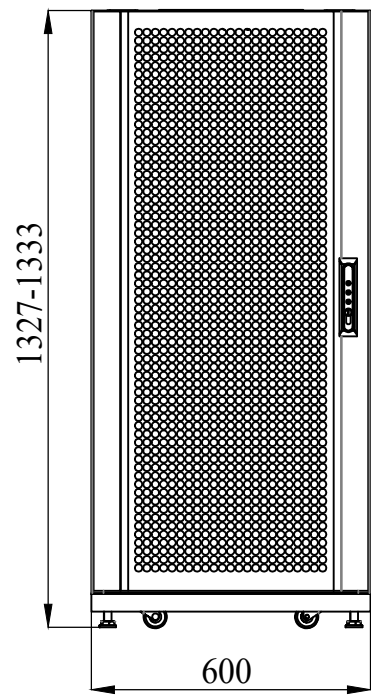
07

File name:

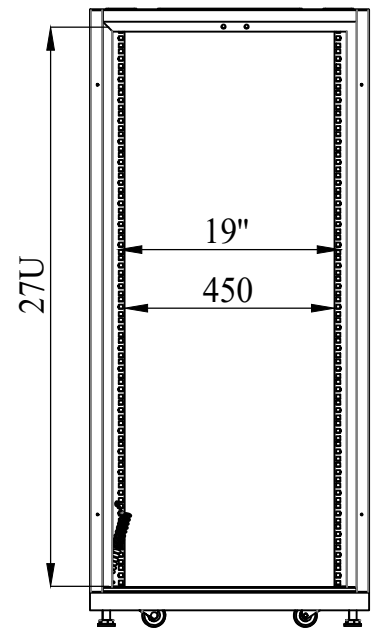
Drawing No:

02

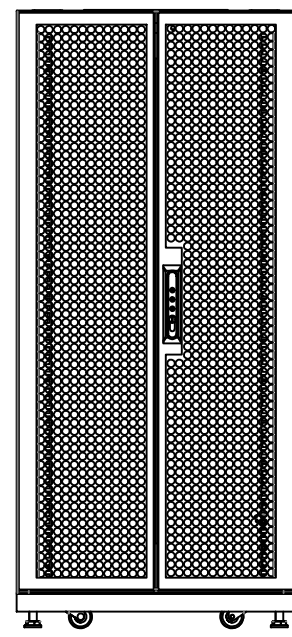
**FRONT VIEW**



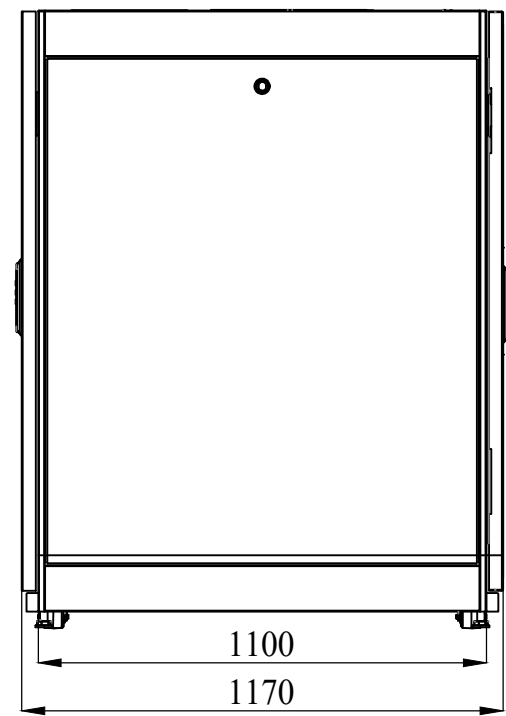
**FRONT VIEW  
(REMOVED DOOR)**



**REAR VIEW**



**SIDE VIEW**



ANH MINH TECHNOLOGY COMPANY LIMITED-AMTEC CO.,LTD  
 17/3, Binh Quoi A, Binh Chuan, Thuan An, Binh Duong, Viet Nam  
 Tel: (84-274) 3612177 Fax: (84-274) 3612178  
 Email: info@amtec.com.vn Web: www.amtec.com.vn

**Customer:**

**Drawing title:**  
 AMTEC ROYAL-DC DATACENTER CABINET  
 27U 600x1100

**Part No:**  
 AMDC27-6110



**Design by:** Nguyễn Xuân Hùng **Date:** 06-03-2019

**Checked by:** Lê Hoàng Tuấn **Date:** 06-03-2019

**Material:** SPCC t=1.0 2

**Scale:** 1:15

**Sheet No:**

**Drawn by:** Nguyễn Xuân Hùng **Date:** 06-03-2019

**Approved by:** Phan Quang Đức **Date:** 06-03-2019

**Qty/Job:** -

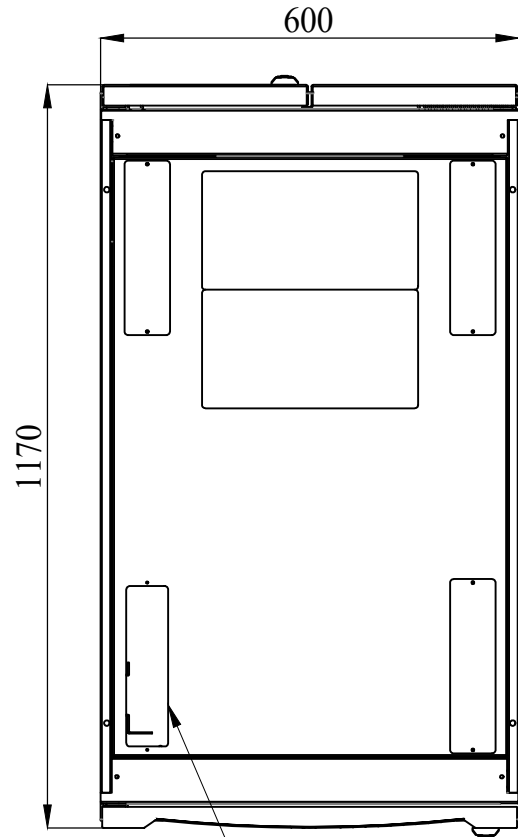
**Unit:** mm

07

**File name:** -

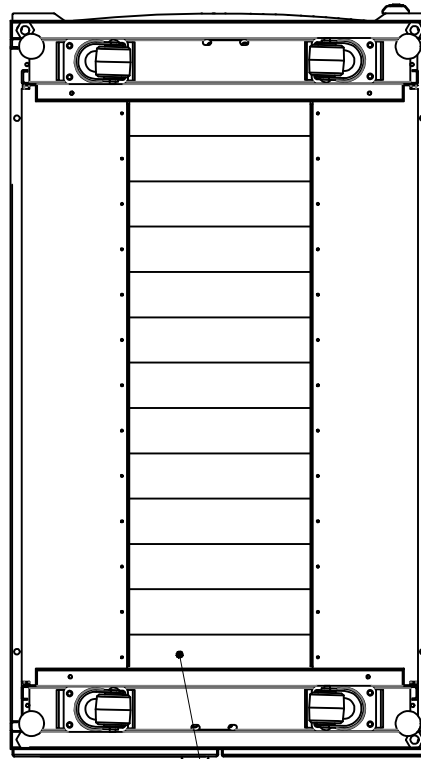
**Drawing No:** 03

TOP VIEW

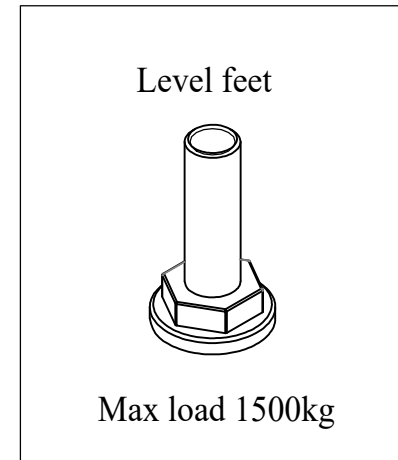
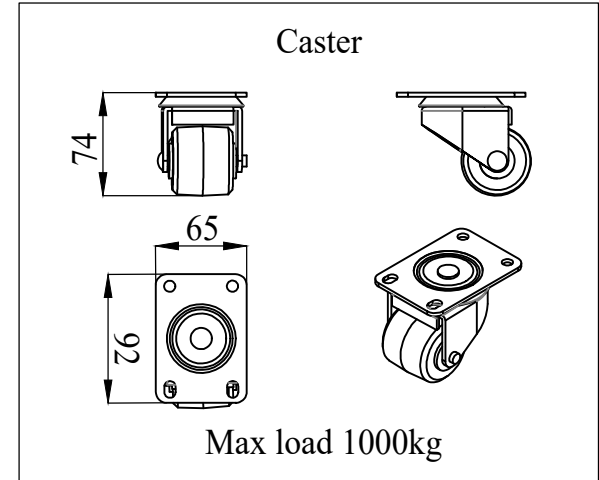


Cable hole 60x240(4x)

BOTTOM VIEW



Cable hole 60x270(10x)



ANH MINH TECHNOLOGY COMPANY LIMITED-AMTEC CO.,LTD  
 17/3, Binh Quoi A, Binh Chuan, Thuan An, Binh Duong, Viet Nam  
 Tel: (84-274) 3612177 Fax: (84-274) 3612178  
 Email: info@amtec.com.vn Web: www.amtec.com.vn

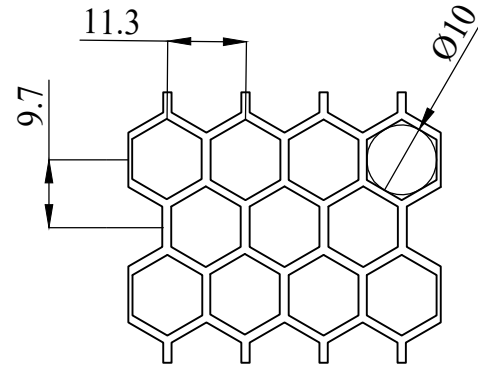
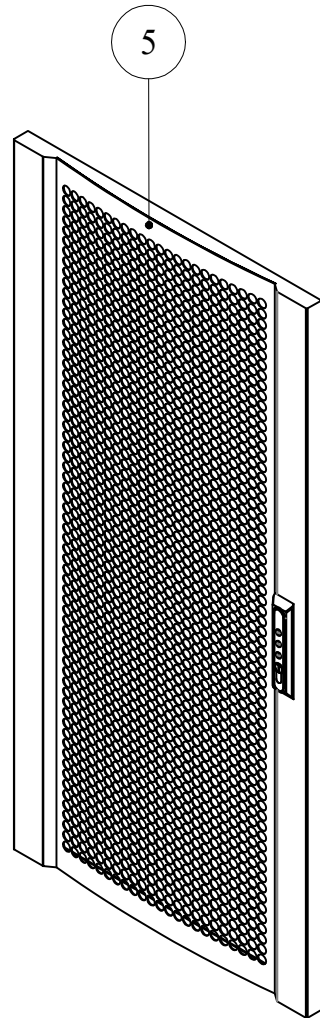
**Customer:**  
  
**Design by:** Nguyễn Xuân Hùng **Date:** 06-03-2019  
**Drawn by:** Nguyễn Xuân Hùng **Date:** 06-03-2019  
**File name:** -

**Drawing title:**  
 AMTEC ROYAL-DC DATACENTER CABINET  
 27U 600x1100  
**Checked by:** Lê Hoàng Tuấn **Date:** 06-03-2019  
**Approved by:** Phan Quang Đức **Date:** 06-03-2019

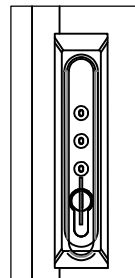
**Part No:** AMDC27-6110  
**Material:** SPCC t=1 to 2  
**Scale:** 1:10  
**Qty/Job:** -  
**Unit:** mm  
**Drawing No:** 04

**Sheet No:** 07

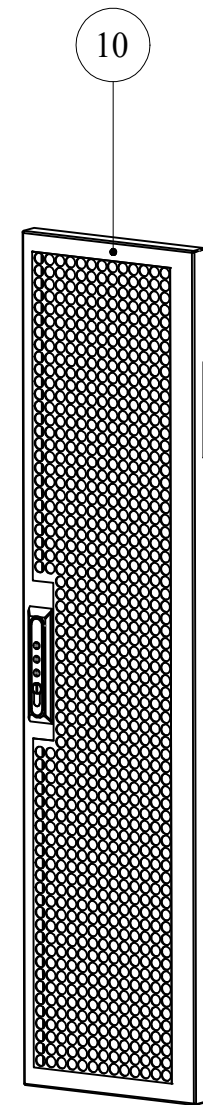
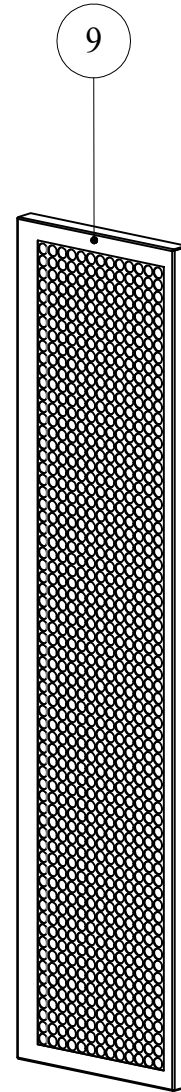
# DETAIL ITEM: 5-9-10



>80% HEXAGON PERFORATED DOOR



SWINGHANDLE KEY AND NUMBER LOCK



5



ANH MINH TECHNOLOGY COMPANY LIMITED-AMTEC CO.,LTD  
 17/3, Binh Quoi A, Binh Chuan, Thuan An, Binh Duong, Viet Nam  
 Tel: (84-274) 3612177 Fax: (84-274) 3612178  
 Email: info@amtec.com.vn Web: www.amtec.com.vn

<b>Customer:</b>	
<b>Design by:</b> Nguyễn Xuân Hùng	<b>Date:</b> 06-03-2019
<b>Drawn by:</b> Nguyễn Xuân Hùng	<b>Date:</b> 06-03-2019
<b>File name:</b>	

<b>Drawing title:</b> AMTEC ROYAL-DC DATACENTER CABINET 27U 600x1100	
<b>Checked by:</b> Lê Hoàng Tuấn	<b>Date:</b> 06-03-2019
<b>Approved by:</b> Phan Quang Đức	<b>Date:</b> 06-03-2019
<b>File name:</b>	

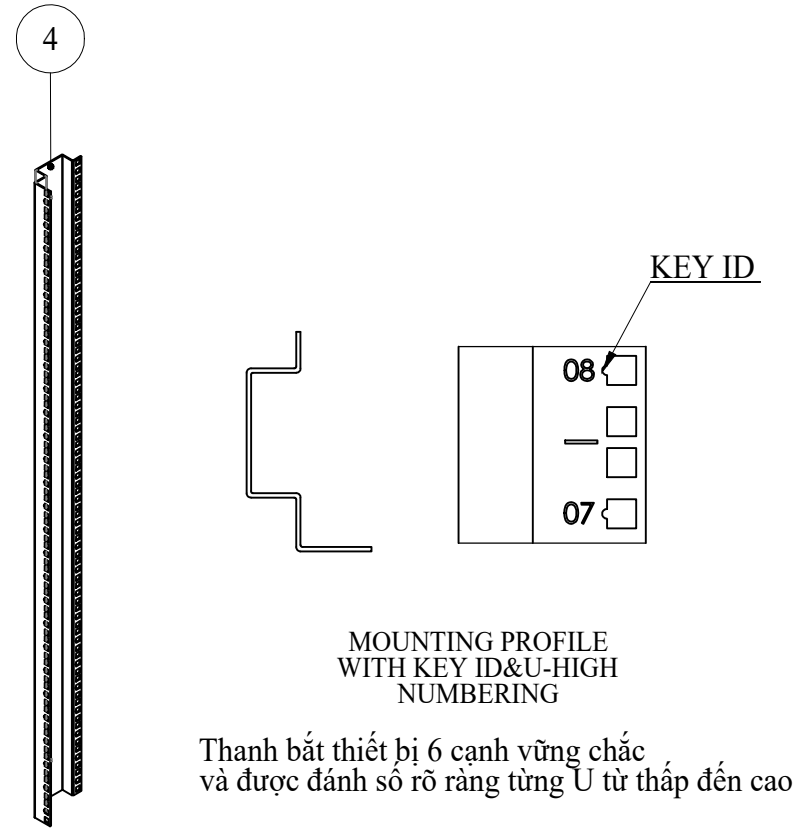
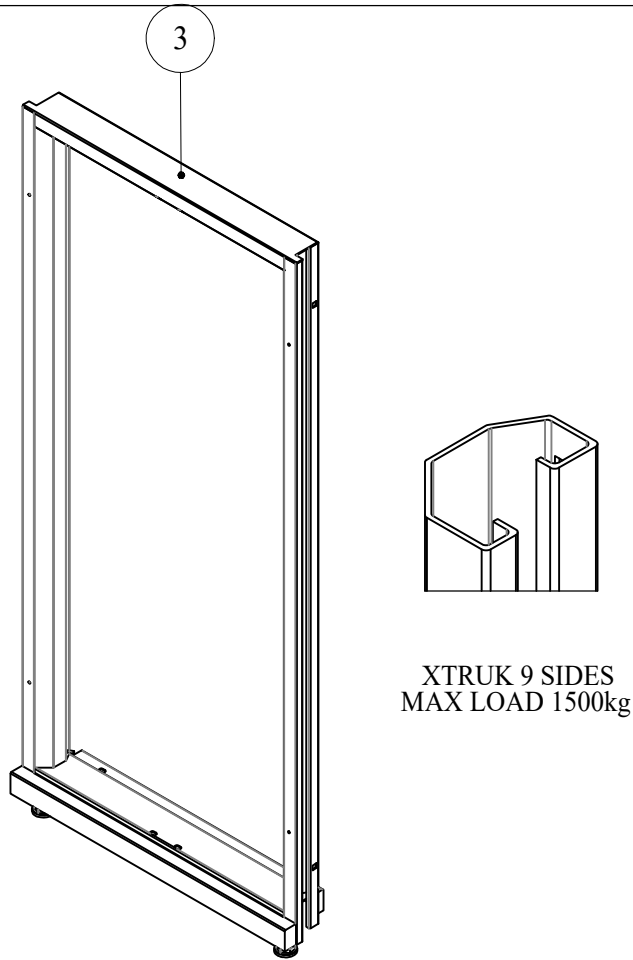
<b>Part No:</b> AMDC27-6110	
<b>Material:</b> SPCC t=1 to 2	<b>Scale:</b> 1:15
<b>Qty/Job:</b> -	<b>Unit:</b> mm
<b>Drawing No:</b> 05	



**Sheet No:**  
07

DETAIL ITEM: 3-4

6



ANH MINH TECHNOLOGY COMPANY LIMITED-AMTEC CO.,LTD  
 17/3, Binh Quoi A, Binh Chuan, Thuan An, Binh Duong, Viet Nam  
 Tel: (84-274) 3612177 Fax: (84-274) 3612178  
 Email: info@amtec.com.vn Web: www.amtec.com.vn

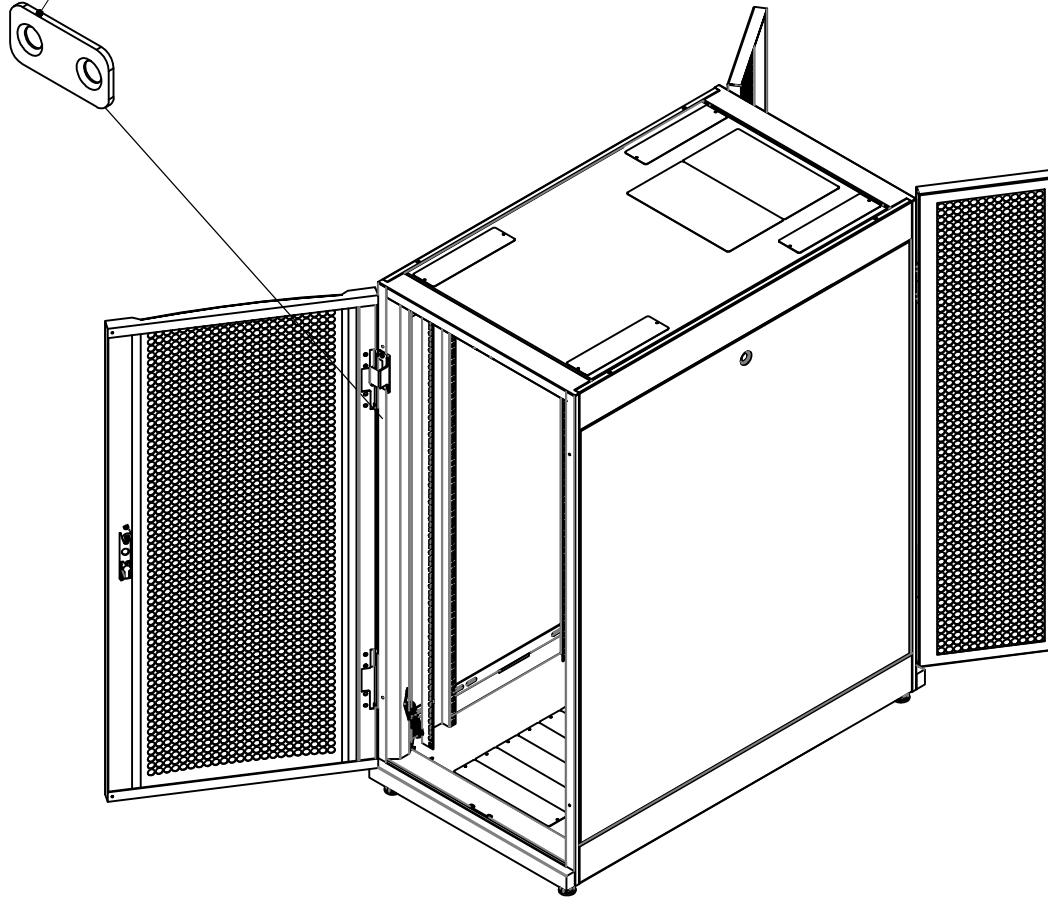
<b>Customer:</b>	<b>Drawing title:</b> AMTEC ROYAL-DC DATACENTER CABINET 27U 600x1100	<b>Part No:</b> AMDC27-6110			
<b>Design by:</b> Nguyễn Xuân Hùng <b>Date:</b> 06-03-2019	<b>Checked by:</b> Lê Hoàng Tuấn <b>Date:</b> 06-03-2019	<b>Material:</b> SPCC t=1 to 2	<b>Scale:</b> 1:15		<b>Sheet No:</b> 07
<b>Drawn by:</b> Nguyễn Xuân Hùng <b>Date:</b> 06-03-2019	<b>Approved by:</b> Phan Quang Đức <b>Date:</b> 06-03-2019	<b>Qty/Job:</b> -	<b>Unit:</b> mm		
<b>File name:</b> -	<b>Drawing No:</b> 06				

# ISOMETRIC VIEW

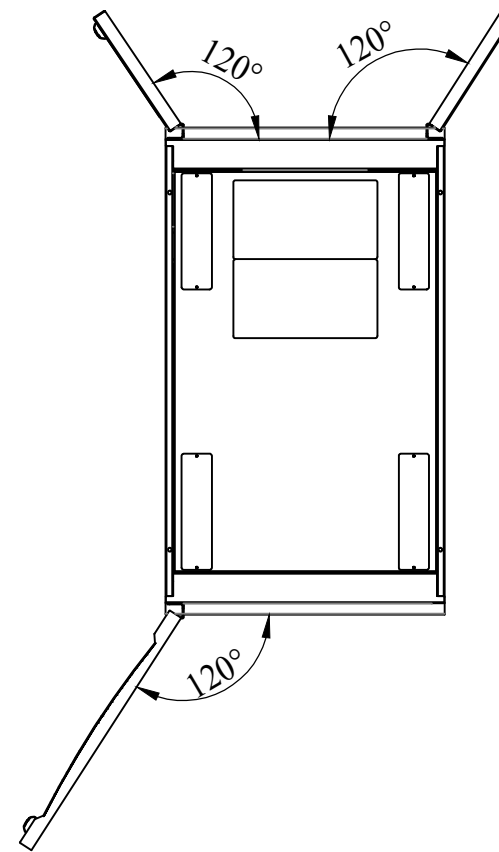
# TOP VIEW

7

Bát liên kết rack (4x)



Góc mở cửa trước và sau 120 độ



ANH MINH TECHNOLOGY COMPANY LIMITED-AMTEC CO.,LTD  
 17/3, Binh Quoi A, Binh Chuan, Thuan An, Binh Duong, Viet Nam  
 Tel: (84-274) 3612177 Fax: (84-274) 3612178  
 Email: info@amtec.com.vn Web: www.amtec.com.vn

**Customer:**  
  
**Design by:** Nguyễn Xuân Hùng **Date:** 06-03-2019  
**Drawn by:** Nguyễn Xuân Hùng **Date:** 06-03-2019  
**File name:** -

**Drawing title:**  
 AMTEC ROYAL-DC DATACENTER CABINET  
 27U 600x1100  
**Checked by:** Lê Hoàng Tuấn **Date:** 06-03-2019  
**Approved by:** Phan Quang Đức **Date:** 06-03-2019

**Part No:** AMDC27-6110  
**Material:** SPCC t=1 to 2  
**Scale:** 1:10  
**Qty/Job:** -  
**Unit:** mm  
**Drawing No:** 07

**Sheet No:** 07