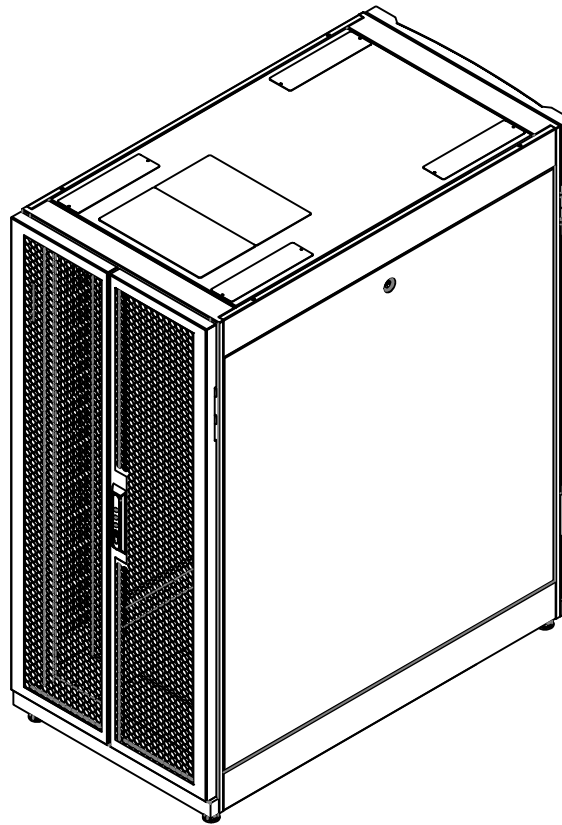
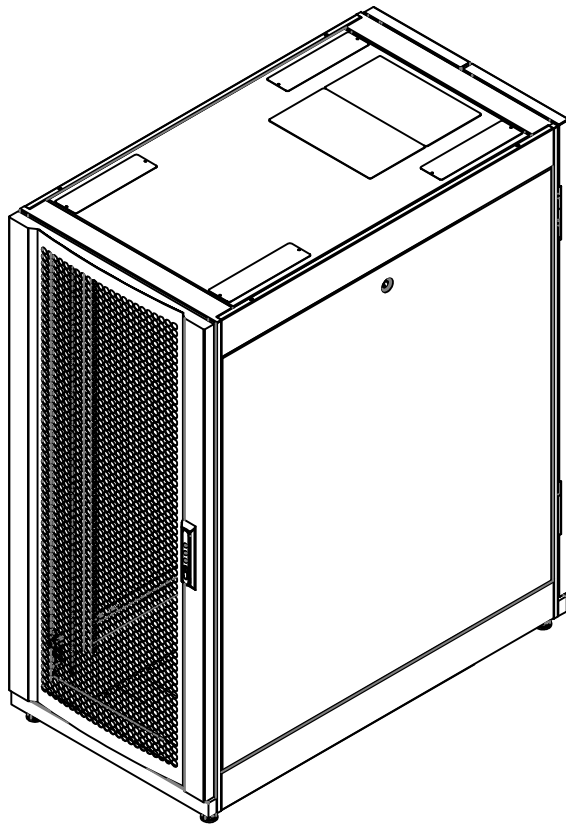


# FRONT&RIGHT VIEW

# REAR&LEFT VIEW

①



## Thông số kỹ thuật:

1	Các tiêu chuẩn	<ul style="list-style-type: none"> <li>ANSI/EIA 310-D, phần A</li> <li>DIN 41494.</li> <li>BS 5954 phần 2.</li> <li>IEC 60297-1, IEC 60297-2</li> <li>RoHS.</li> <li>IP20.</li> </ul>
2	Độ dày thép	<ul style="list-style-type: none"> <li>Khung 2mm.</li> <li>Thanh treo thiết bị 2mm.</li> <li>Cửa trước và sau 1.2mm.</li> <li>Cửa hông 1mm.</li> <li>Đế che 1.5mm.</li> <li>Thanh bật nguồn/Quản lý cáp 1mm.</li> <li>Thanh nối khung trước&amp;sau 2mm.</li> </ul>
3	Tải trọng	<ul style="list-style-type: none"> <li>Trên các bánh xe 1000 kg.</li> <li>Trên các chân đế 1500 kg.</li> <li>Tải trọng trên nóc 80 kg.</li> <li>Tải trọng trên đế 80 kg.</li> </ul>
4	Màu sơn	Sơn tĩnh điện màu đen
5	Độ thông thoáng	Cửa lưới lọc góc trước&sau thông thoáng >80%



ANH MINH TECHNOLOGY COMPANY LIMITED-AMTEC CO.,LTD  
 17/3, Binh Quoi A, Binh Chuan, Thuan An, Binh Duong, Viet Nam  
 Tel: (84-274) 3612177 Fax: (84-274) 3612178  
 Email: info@amtec.com.vn Web: www.amtec.com.vn

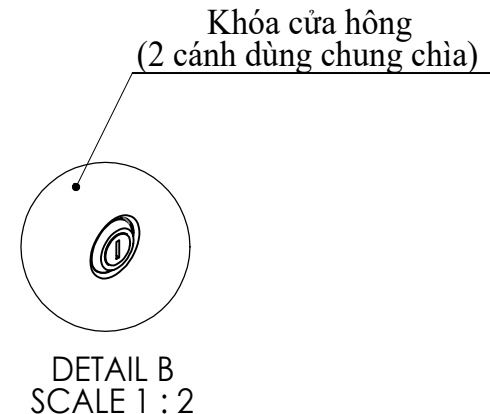
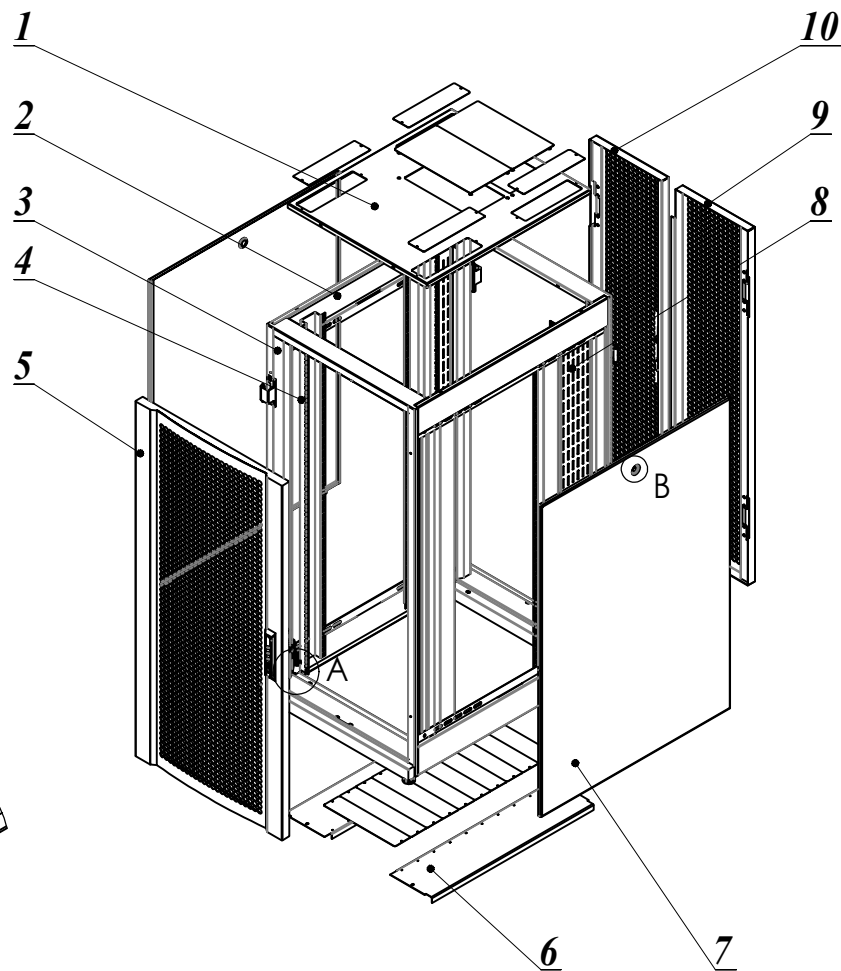
<b>Customer:</b>	<b>Drawing title:</b>	<b>Part No:</b>	
	AMTEC ROYAL-DC DATACENTER CABINET 20U 600x1100	AMDC20-6110	
<b>Design by:</b> Nguyễn Xuân Hùng <b>Date:</b> 06-03-2019	<b>Checked by:</b> Lê Hoàng Tuấn <b>Date:</b> 06-03-2019	<b>Material:</b> SPCC $t=1$ to 2 <b>Scale:</b> 1:15	
<b>Drawn by:</b> Nguyễn Xuân Hùng <b>Date:</b> 06-03-2019	<b>Approved by:</b> Phan Quang Đức <b>Date:</b> 06-03-2019	<b>Qty/Job:</b> - <b>Unit:</b> mm	
<b>File name:</b>	-	<b>Drawing No:</b> 01	

**Sheet No:**  
07

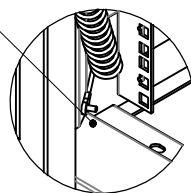
# EXPLODE VIEW

②

(Thiết kế Modular dễ dàng vận hành và thao tác)



Vị trí tiếp địa  
(1 Vị trí cửa trước,  
2 vị trí cửa sau)



DETAIL A  
SCALE 1 : 5

10	Rear door right	1	1.2	>80% perforated
9	Rear door left	1	1.2	>80% perforated
8	Cable management	2	1.0	Up to 4 PDU
7	Side door	2	1.0	
6	Base	2	1.5	
5	Front door	1	1.2	>80% perforated
4	Profile bar	4	2.0	
3	Frame	4	2.0	
2	Support bar	4	2.0	
1	Top roof	1	1.2	
Item	Name	Q'TY	Thick	Description



ANH MINH TECHNOLOGY COMPANY LIMITED-AMTEC CO.,LTD  
17/3, Binh Quoi A, Binh Chuan, Thuan An, Binh Duong, Viet Nam  
Tel: (84-274) 3612177 Fax: (84-274) 3612178  
Email: info@amtec.com.vn Web: www.amtec.com.vn

Customer:

Drawing title:

AMTEC ROYAL-DC DATACENTER CABINET  
20U 600x1100

Part No:

AMDC20-6110



Design by: Nguyễn Xuân Hùng Date: 06-03-2019

Checked by: Lê Hoàng Tuấn Date: 06-03-2019

Material: SPCC  $t=1$  to 2

Scale: 1:20

Sheet No:

Drawn by: Nguyễn Xuân Hùng Date: 06-03-2019

Approved by: Phan Quang Đức Date: 06-03-2019

Qty/Job: -

Unit: mm

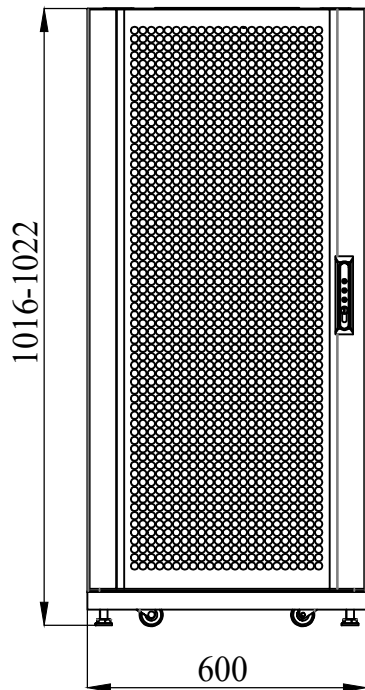
07

File name:

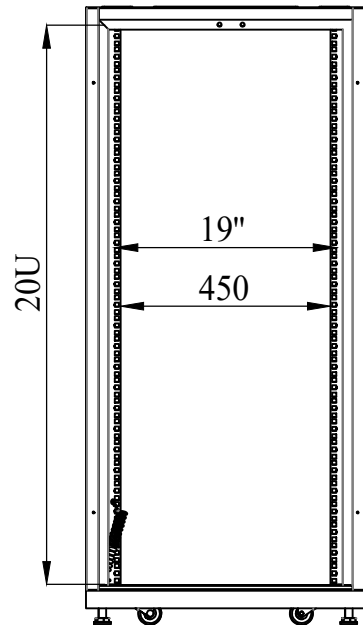
Drawing No:

02

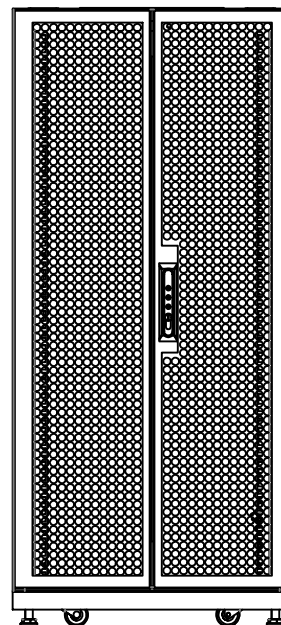
**FRONT VIEW**



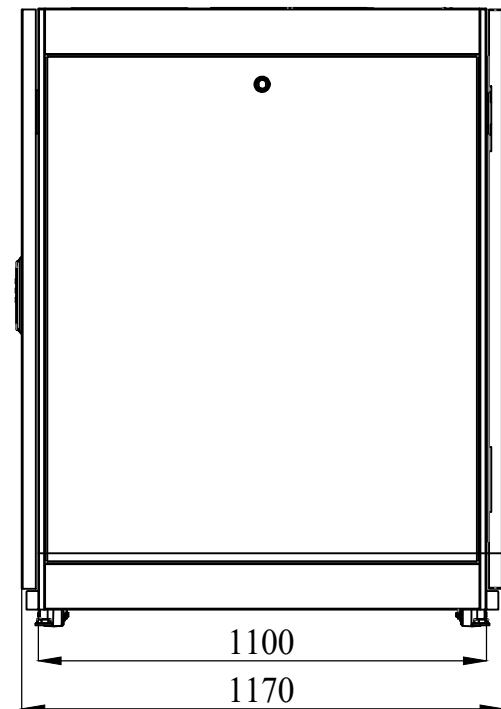
**FRONT VIEW  
(REMOVED DOOR)**



**REAR VIEW**



**SIDE VIEW**

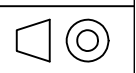


ANH MINH TECHNOLOGY COMPANY LIMITED-AMTEC CO.,LTD  
 17/3, Binh Quoi A, Binh Chuan, Thuan An, Binh Duong, Viet Nam  
 Tel: (84-274) 3612177 Fax: (84-274) 3612178  
 Email: info@amtec.com.vn Web: www.amtec.com.vn

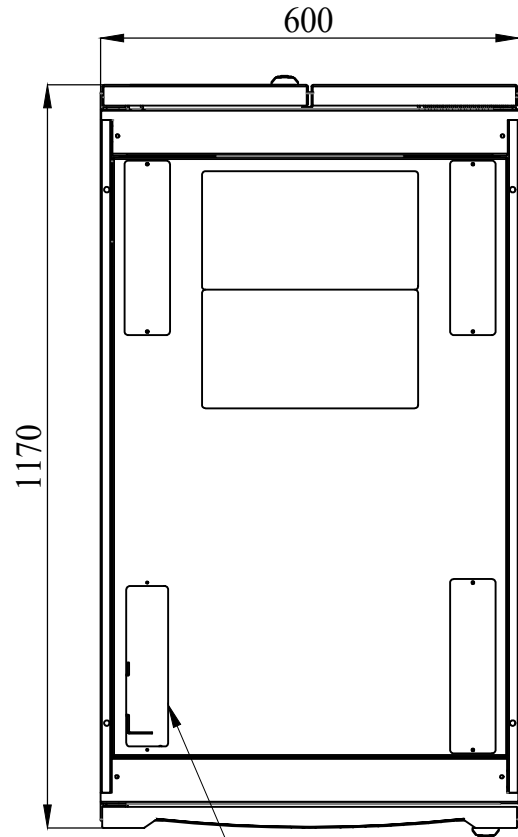
**Customer:**  
  
**Design by:** Nguyễn Xuân Hùng **Date:** 06-03-2019  
**Drawn by:** Nguyễn Xuân Hùng **Date:** 06-03-2019  
**File name:** -

**Drawing title:**  
 AMTEC ROYAL-DC DATACENTER CABINET  
 20U 600x1100  
**Checked by:** Lê Hoàng Tuấn **Date:** 06-03-2019  
**Approved by:** Phan Quang Đức **Date:** 06-03-2019

**Part No:** AMDC20-6110  
**Material:** SPCC t=1.0 2 **Scale:** 1:15  
**Qty/Job:** - **Unit:** mm  
**Drawing No:** 03

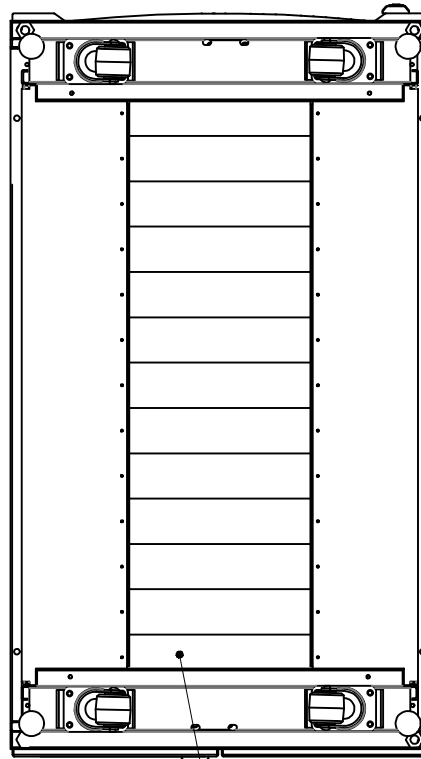
  
**Sheet No:** 07

TOP VIEW

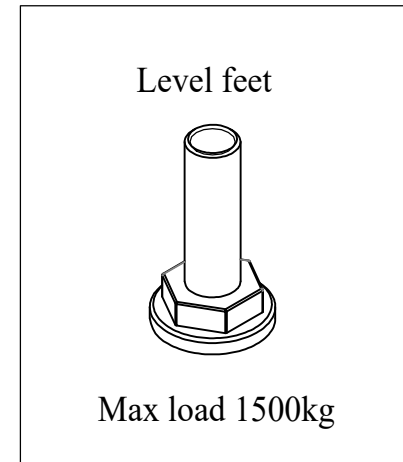
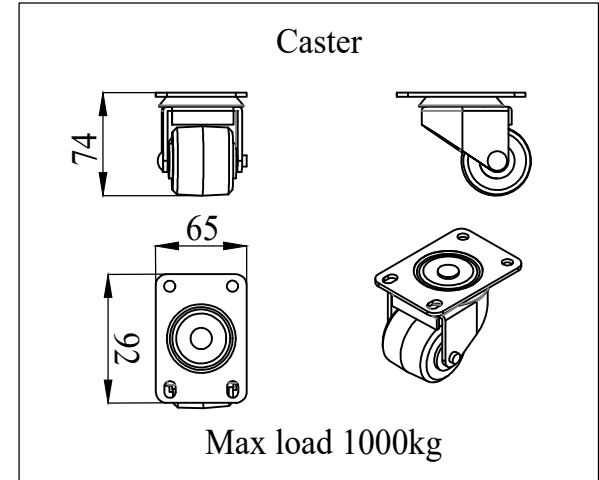


Cable hole 60x240(4x)

BOTTOM VIEW



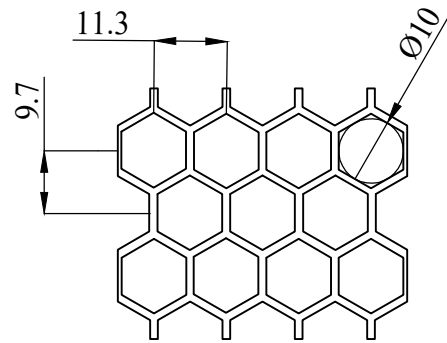
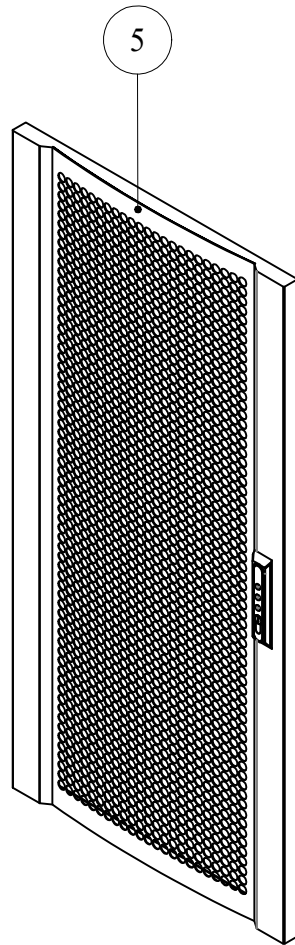
Cable hole 60x270(10x)



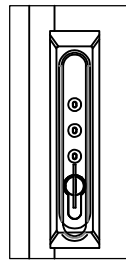
ANH MINH TECHNOLOGY COMPANY LIMITED-AMTEC CO.,LTD  
 17/3, Binh Quoi A, Binh Chuan, Thuan An, Binh Duong, Viet Nam  
 Tel: (84-274) 3612177 Fax: (84-274) 3612178  
 Email: info@amtec.com.vn Web: www.amtec.com.vn

<b>Customer:</b>	<b>Drawing title:</b> AMTEC ROYAL-DC DATACENTER CABINET 20U 600x1100	<b>Part No:</b> AMDC20-6110	
<b>Design by:</b> Nguyễn Xuân Hùng <b>Date:</b> 06-03-2019	<b>Checked by:</b> Lê Hoàng Tuấn <b>Date:</b> 06-03-2019	<b>Material:</b> SPCC t=1 to 2	<b>Scale:</b> 1:10
<b>Drawn by:</b> Nguyễn Xuân Hùng <b>Date:</b> 06-03-2019	<b>Approved by:</b> Phan Quang Đức <b>Date:</b> 06-03-2019	<b>Qty/Job:</b> -	<b>Unit:</b> mm
<b>File name:</b> -		<b>Drawing No:</b> 04	<b>Sheet No:</b> 07

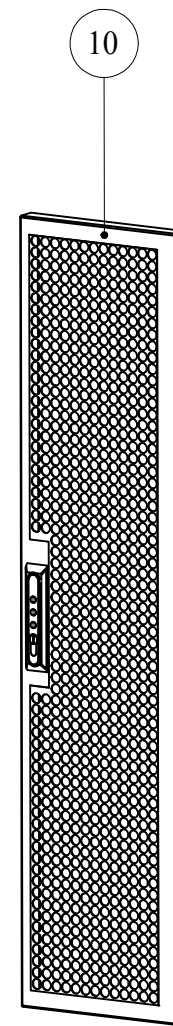
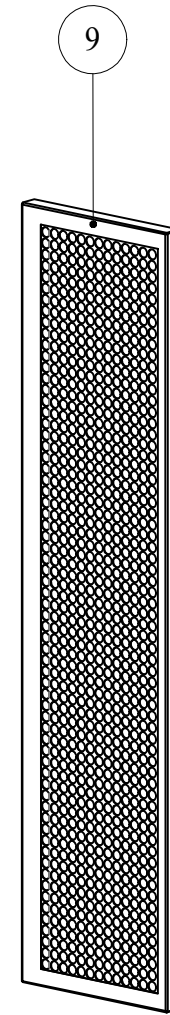
**DETAIL ITEM: 5-9-10**



>80% HEXAGON PERFORATED DOOR



SWINGHANDLE KEY AND NUMBER LOCK



5

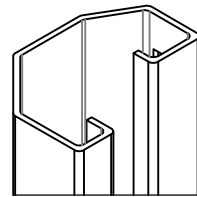
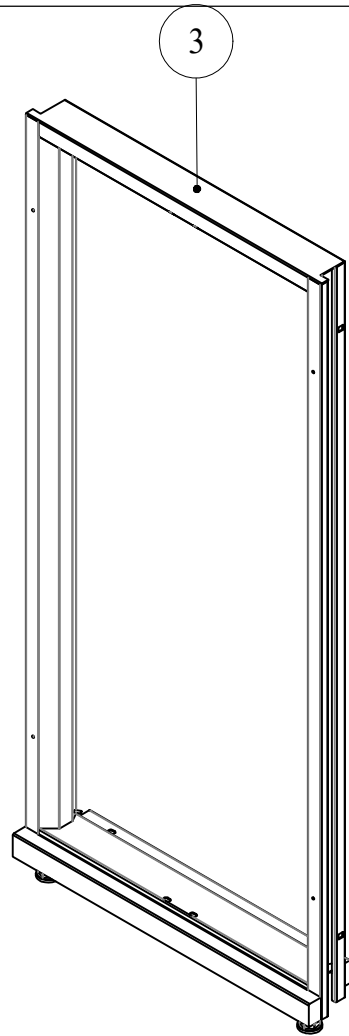


ANH MINH TECHNOLOGY COMPANY LIMITED-AMTEC CO.,LTD  
 17/3, Binh Quoi A, Binh Chuan, Thuan An, Binh Duong, Viet Nam  
 Tel: (84-274) 3612177 Fax: (84-274) 3612178  
 Email: info@amtec.com.vn Web: www.amtec.com.vn

<b>Customer:</b>	<b>Drawing title:</b> AMTEC ROYAL-DC DATACENTER CABINET 20U 600x1100	<b>Part No:</b> AMDC20-6110		
<b>Design by:</b> Nguyễn Xuân Hùng <b>Date:</b> 06-03-2019	<b>Checked by:</b> Lê Hoàng Tuấn <b>Date:</b> 06-03-2019	<b>Material:</b> SPCC t=1 to 2	<b>Scale:</b> 1:15	
<b>Drawn by:</b> Nguyễn Xuân Hùng <b>Date:</b> 06-03-2019	<b>Approved by:</b> Phan Quang Đức <b>Date:</b> 06-03-2019	<b>Qty/Job:</b> -	<b>Unit:</b> mm	
<b>File name:</b>	-	<b>Drawing No:</b> 05		

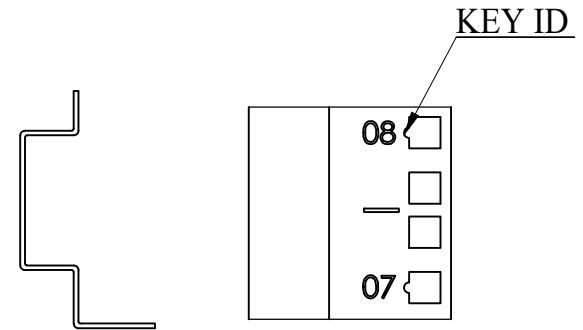
# DETAIL ITEM: 3-4

6



XTRUK 9 SIDES  
MAX LOAD 1500kg

4



MOUNTING PROFILE  
WITH KEY ID&U-HIGH  
NUMBERING

Thanh bắt thiết bị 6 cạnh vững chắc  
và được đánh số rõ ràng từng U từ thấp đến cao



ANH MINH TECHNOLOGY COMPANY LIMITED-AMTEC CO.,LTD  
17/3, Binh Quoi A, Binh Chuan, Thuan An, Binh Duong, Viet Nam  
Tel: (84-274) 3612177 Fax: (84-274) 3612178  
Email: info@amtec.com.vn Web: www.amtec.com.vn

Customer:

Drawing title:

Part No:

AMTEC ROYAL-DC DATACENTER CABINET  
20U 600x1100

AMDC20-6110

Design by: Nguyễn Xuân Hùng Date: 06-03-2019

Checked by: Lê Hoàng Tuấn Date: 06-03-2019

Material: SPCC t=1 to 2

Scale: 1:15

Sheet No:

Drawn by: Nguyễn Xuân Hùng Date: 06-03-2019

Approved by: Phan Quang Đức Date: 06-03-2019

Qty/Job: -

Unit: mm

07

File name:

-

Drawing No:

06

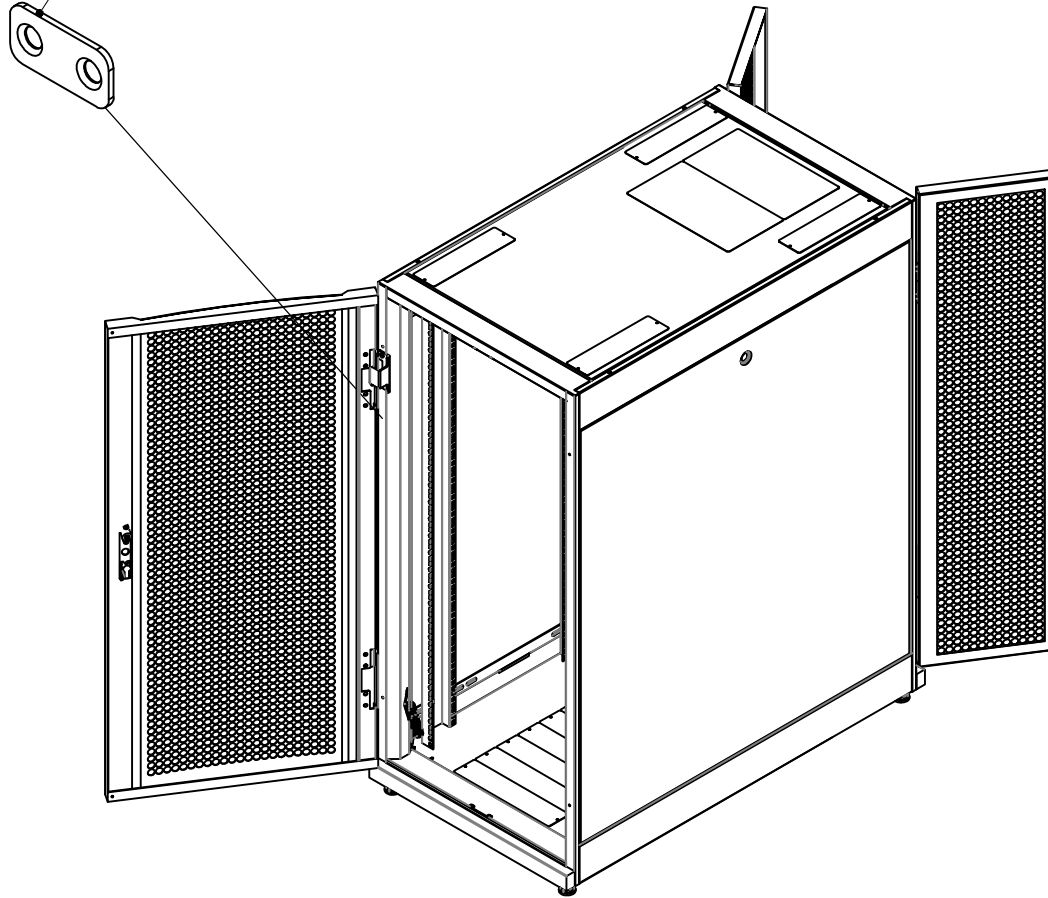


# ISOMETRIC VIEW

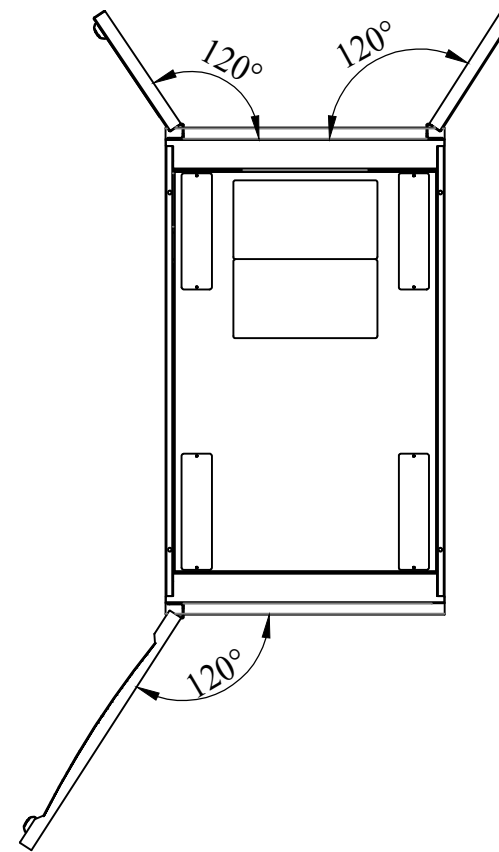
# TOP VIEW

7

Bát liên kết rack (4x)



Góc mở cửa trước và sau 120 độ



ANH MINH TECHNOLOGY COMPANY LIMITED-AMTEC CO.,LTD  
 17/3, Binh Quoi A, Binh Chuan, Thuan An, Binh Duong, Viet Nam  
 Tel: (84-274) 3612177 Fax: (84-274) 3612178  
 Email: info@amtec.com.vn Web: www.amtec.com.vn

**Customer:**  
  
**Design by:** Nguyễn Xuân Hùng **Date:** 06-03-2019  
**Drawn by:** Nguyễn Xuân Hùng **Date:** 06-03-2019  
**File name:** -

**Drawing title:**  
 AMTEC ROYAL-DC DATACENTER CABINET  
 20U 600x1100  
**Checked by:** Lê Hoàng Tuấn **Date:** 06-03-2019  
**Approved by:** Phan Quang Đức **Date:** 06-03-2019

**Part No:** AMDC20-6110  
**Material:** SPCC t=1 to 2  
**Scale:** 1:10  
**Qty/Job:** -  
**Unit:** mm  
**Drawing No:** 07

**Sheet No:** 07