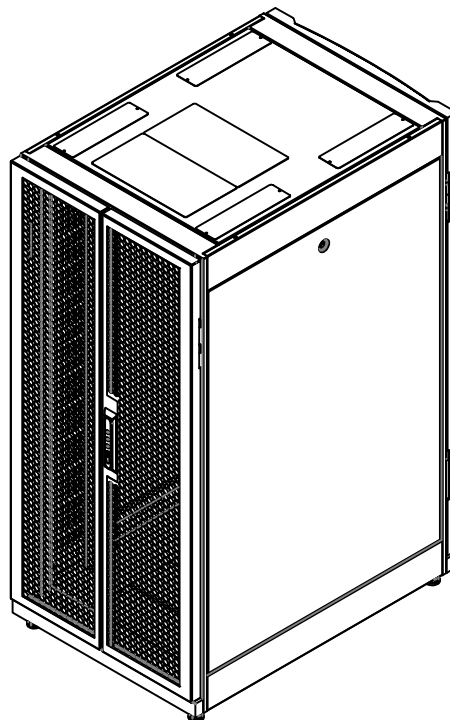
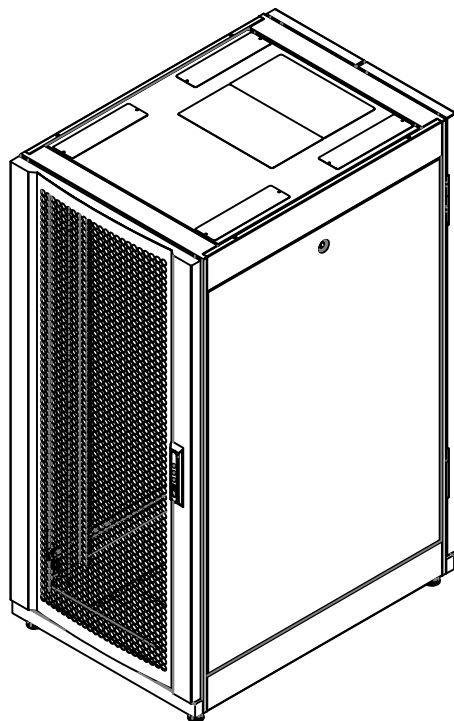


FRONT&RIGHT VIEW

REAR&LEFT VIEW

①



Thông số kỹ thuật:		
1	Các tiêu chuẩn	<ul style="list-style-type: none"> . ANSI/EIA 310-D, phần A . DIN 41494. . BS 5954 phần 2. . IEC 60297-1, IEC 60297-2 . RoHS. . IP20.
2	Độ dày thép	<ul style="list-style-type: none"> . Khung 2mm. . Thanh treo thiết bị 2mm. . Cửa trước và sau 1.2mm. . Cửa hông 1mm. . Đế che 1,5mm . Thanh bắt nguồn/Quản lý cáp 1mm. . Thanh nối khung trước&sau 2mm.
3	Tải trọng	<ul style="list-style-type: none"> . Trên các bánh xe 1000 kg. . Trên các chân đế 1500 kg. . Tải trọng trên nóc 80 kg. . Tải trọng trên đế 80 kg.
4	Màu sơn	Sơn tĩnh điện màu đen
5	Độ thông thoáng	Cửa lưới lọc gió trước&sau thông thoáng >80%



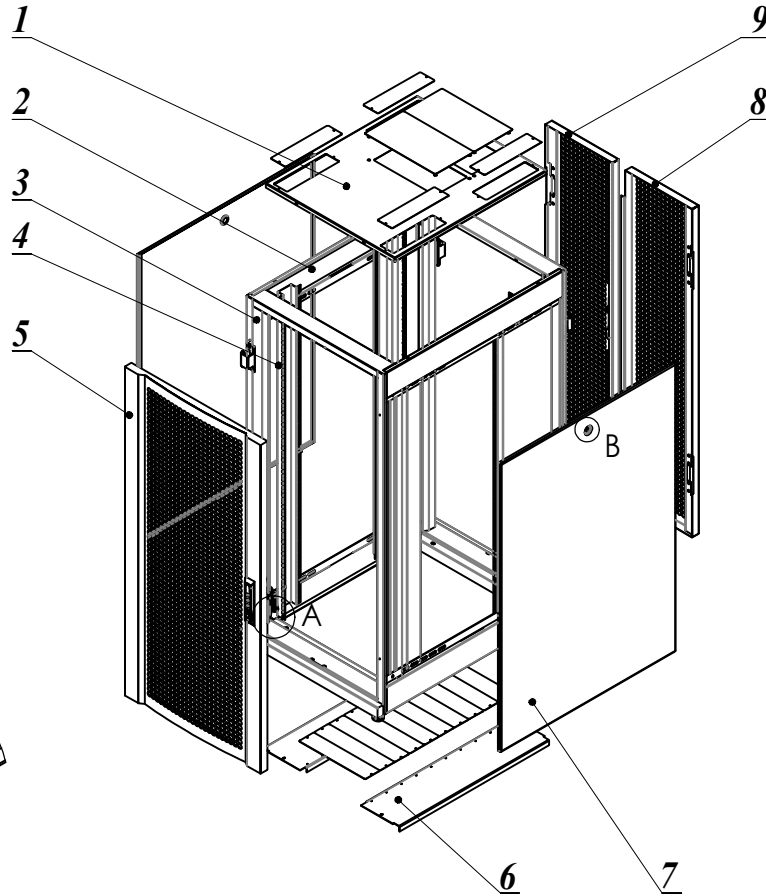
ANH MINH TECHNOLOGY COMPANY LIMITED-AMTEC CO.,LTD
 17/3, Binh Quoi A, Binh Chuan, Thuan An, Binh Duong, Viet Nam
 Tel: (84-274) 3612177 Fax: (84-274) 3612178
 Email: info@amtec.com.vn Web: www.amtec.com.vn

Customer:	Drawing title: AMTEC ROYAL-DC DATACENTER CABINET 15U 600x1000	Part No: AMDC15-6100		
Design by: Nguyễn Xuân Hùng Date: 06-03-2019	Checked by: Lê Hoàng Tuấn Date: 06-03-2019	Material: SPCC \neq 1 to 2	Scale: 1:15	
Drawn by: Nguyễn Xuân Hùng Date: 06-03-2019	Approved by: Phan Quang Đức Date: 06-03-2019	Qty/Job: -	Unit: mm	
File name:	-	Drawing No: 01		

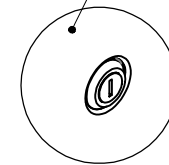
EXPLODE VIEW

②

(Thiết kế Modular dễ dàng vận hành và thao tác)

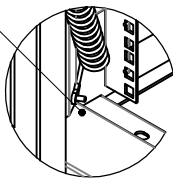


Khóa cửa hông
(2 cánh dùng chung chìa)



DETAIL B
SCALE 1 : 2

Vị trí tiếp địa
(1 Vị trí cửa trước,
2 vị trí cửa sau)



DETAIL A
SCALE 1 : 5

9	Rear door right	1	1.2	>80% perforated
8	Rear door left	1	1.2	>80% perforated
7	Side door	2	1.0	
6	Base	2	1.5	
5	Front door	1	1.2	>80% perforated
4	Profile bar	4	2.0	
3	Frame	4	2.0	
2	Support bar	4	2.0	
1	Top roof	1	1.2	
Item	Name	Q'TY	Thick	Description



ANH MINH TECHNOLOGY COMPANY LIMITED-AMTEC CO.,LTD
17/3, Binh Quoi A, Binh Chuan, Thuan An, Binh Duong, Viet Nam
Tel: (84-274) 3612177 Fax: (84-274) 3612178
Email: info@amtec.com.vn Web: www.amtec.com.vn

Customer:

Drawing title:

AMTEC ROYAL-DC DATACENTER CABINET
15U 600x1000

Part No:

AMDC15-6100



Design by: Nguyễn Xuân Hùng Date: 06-03-2019

Checked by: Lê Hoàng Tuấn Date: 06-03-2019

Material: SPCC \neq 1 to 2

Scale: 1:20

Sheet No:

Drawn by: Nguyễn Xuân Hùng Date: 06-03-2019

Approved by: Phan Quang Đức Date: 06-03-2019

Qty/Job: -

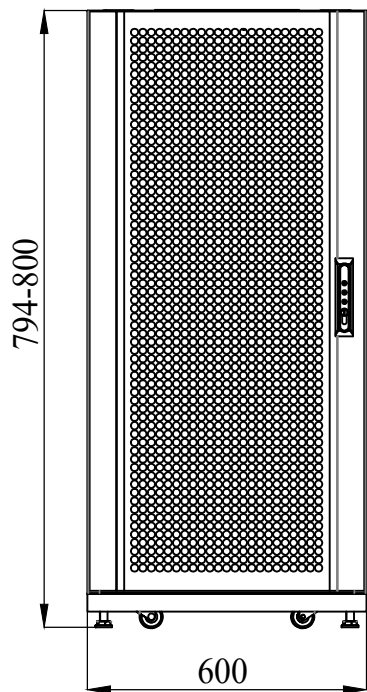
Unit: mm

07

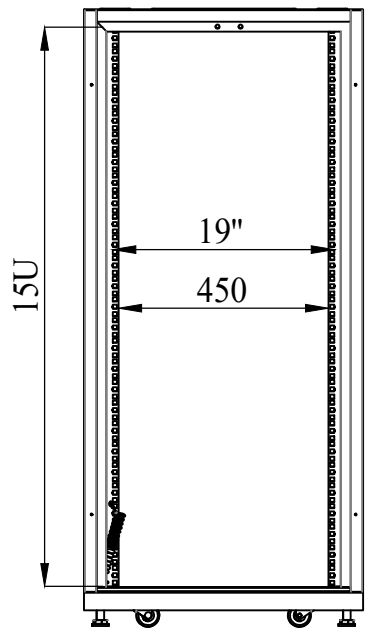
File name:

Drawing No: 02

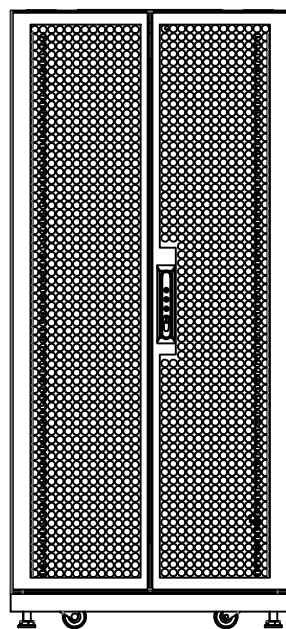
FRONT VIEW



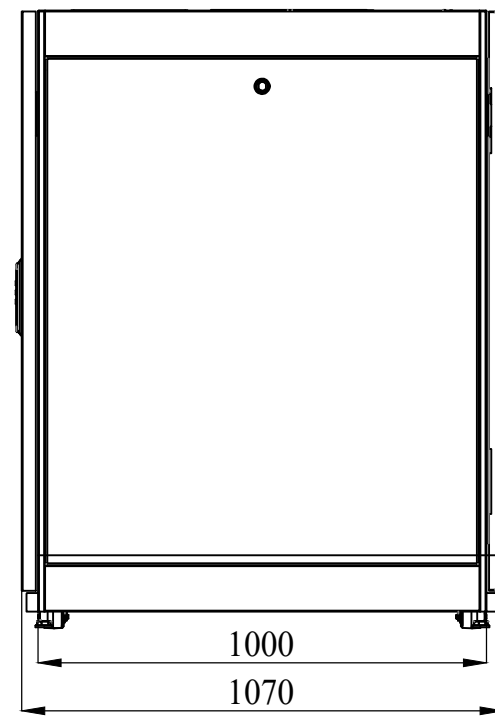
**FRONT VIEW
(REMOVED DOOR)**



REAR VIEW



SIDE VIEW



ANH MINH TECHNOLOGY COMPANY LIMITED-AMTEC CO.,LTD
 17/3, Binh Quoi A, Binh Chuan, Thuan An, Binh Duong, Viet Nam
 Tel: (84-274) 3612177 Fax: (84-274) 3612178
 Email: info@amtec.com.vn Web: www.amtec.com.vn

Customer:

Drawing title:
 AMTEC ROYAL-DC DATACENTER CABINET
 15U 600x1000

Part No:
 AMDC15-6100



Design by: Nguyễn Xuân Hùng **Date:** 06-03-2019

Checked by: Lê Hoàng Tuấn **Date:** 06-03-2019

Material: SPCC t=1.0 2

Scale: 1:15

Sheet No:

Drawn by: Nguyễn Xuân Hùng **Date:** 06-03-2019

Approved by: Phan Quang Đức **Date:** 06-03-2019

Qty/Job: -

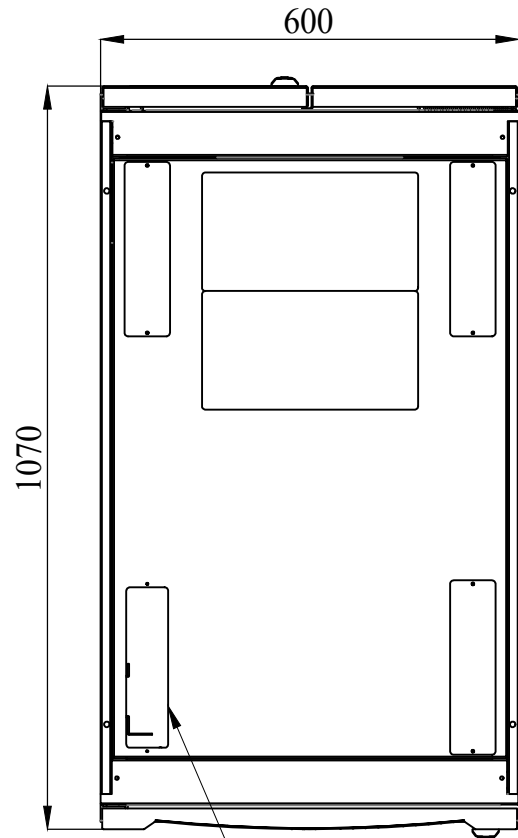
Unit: mm

07

File name: -

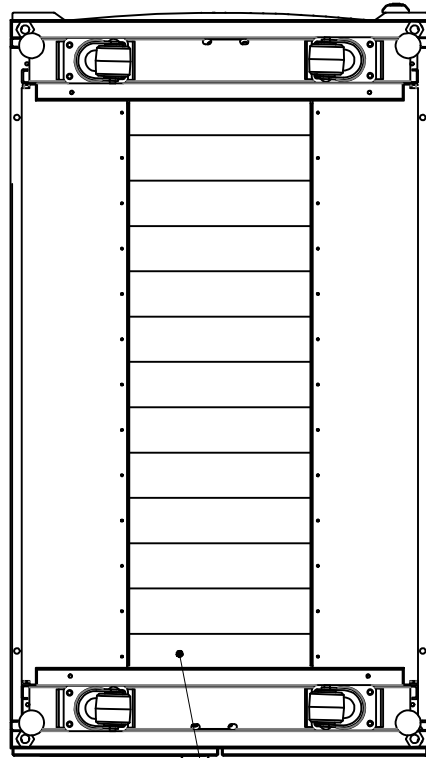
Drawing No: 03

TOP VIEW

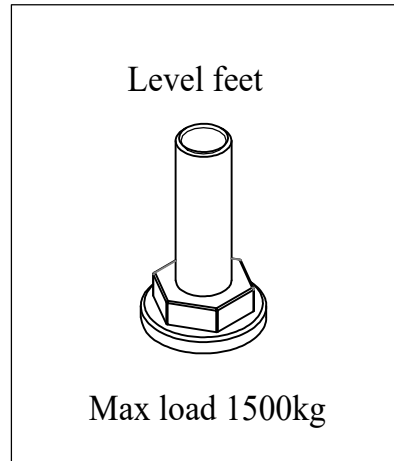
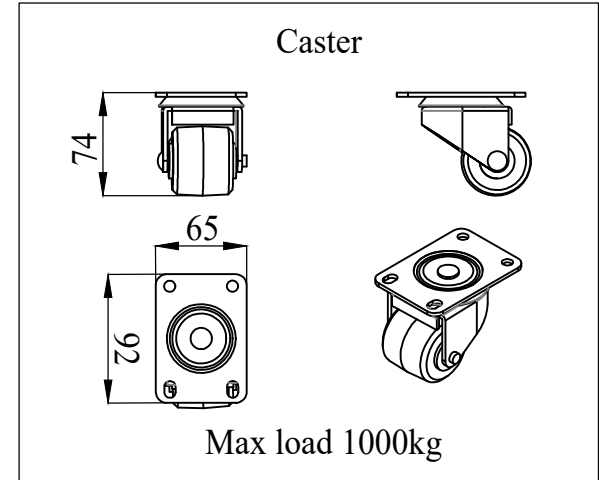


Cable hole 60x240(4x)

BOTTOM VIEW



Cable hole 60x270(10x)



ANH MINH TECHNOLOGY COMPANY LIMITED-AMTEC CO.,LTD
 17/3, Binh Quoi A, Binh Chuan, Thuan An, Binh Duong, Viet Nam
 Tel: (84-274) 3612177 Fax: (84-274) 3612178
 Email: info@amtec.com.vn Web: www.amtec.com.vn

Customer:

Drawing title:
 AMTEC ROYAL-DC DATACENTER CABINET
 15U 600x1000

Part No:
 AMDC15-6100



Design by: Nguyễn Xuân Hùng Date: 06-03-2019

Checked by: Lê Hoàng Tuấn Date: 06-03-2019

Material: SPCC t=1 to 2

Scale: 1:10

Sheet No:

Drawn by: Nguyễn Xuân Hùng Date: 06-03-2019

Approved by: Phan Quang Đức Date: 06-03-2019

Qty/Job: -

Unit: mm

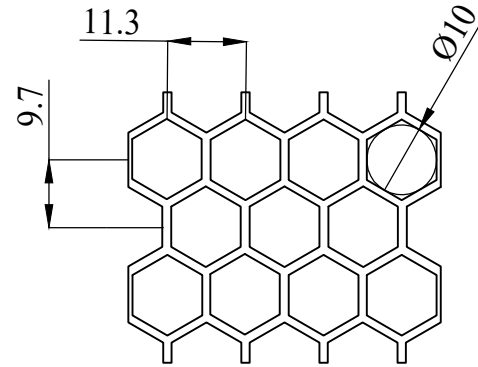
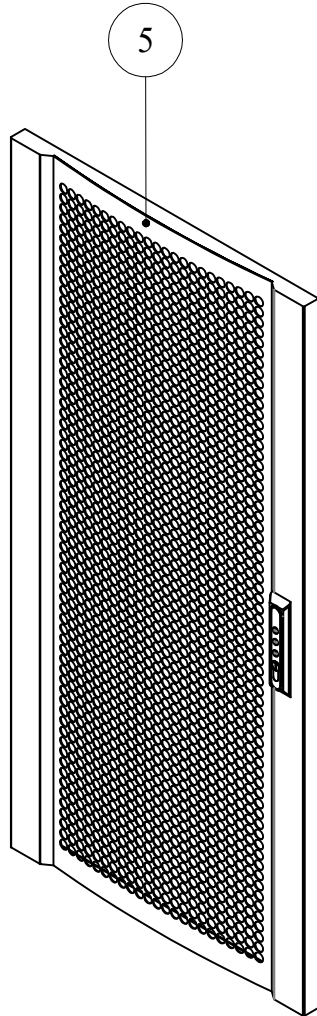
07

File name: -

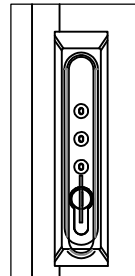
Drawing No: 04

DETAIL ITEM: 5-8-9

5

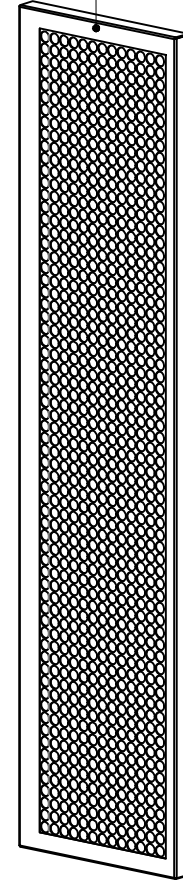


>80% HEXAGON PERFORATED DOOR

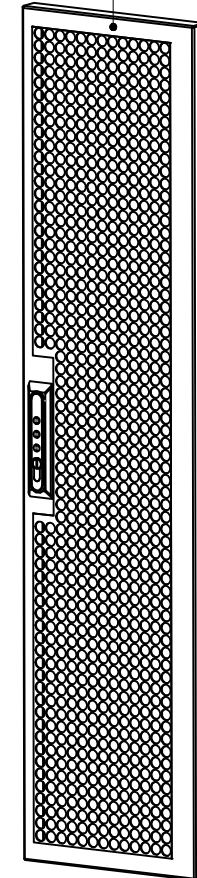


SWINGHANDLE KEY AND NUMBER LOCK

8



9



ANH MINH TECHNOLOGY COMPANY LIMITED-AMTEC CO.,LTD
 17/3, Binh Quoi A, Binh Chuan, Thuan An, Binh Duong, Viet Nam
 Tel: (84-274) 3612177 Fax: (84-274) 3612178
 Email: info@amtec.com.vn Web: www.amtec.com.vn

Customer:

Drawing title:
 AMTEC ROYAL-DC DATACENTER CABINET
 15U 600x1000

Part No:
 AMDC15-6100



Design by: Nguyễn Xuân Hùng Date: 06-03-2019

Checked by: Lê Hoàng Tuấn Date: 06-03-2019

Material: SPCC t=1 to 2

Scale: 1:15

Sheet No:

Drawn by: Nguyễn Xuân Hùng Date: 06-03-2019

Approved by: Phan Quang Đức Date: 06-03-2019

Qty/Job: -

Unit: mm

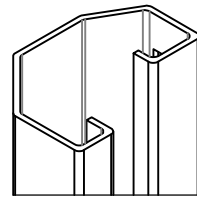
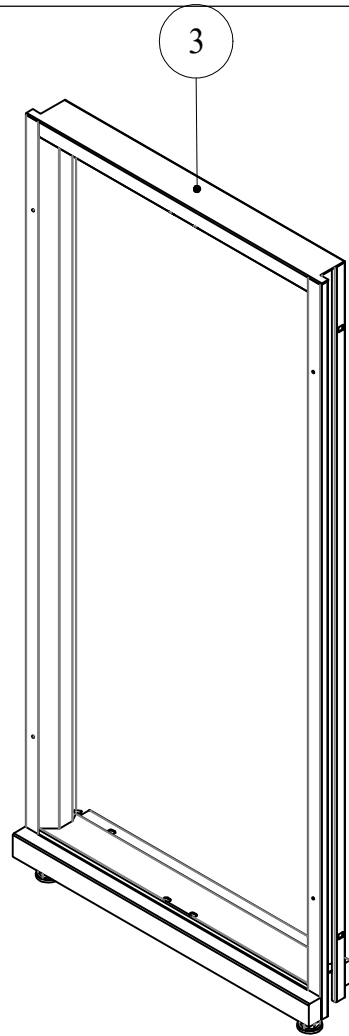
07

File name: -

Drawing No: 05

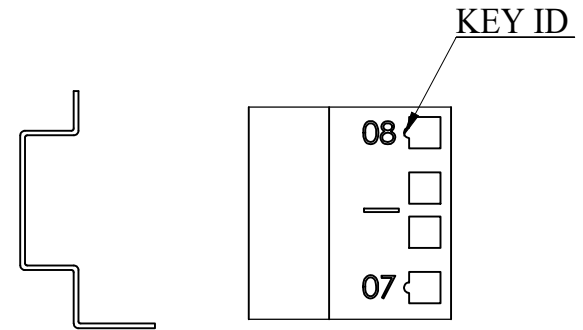
DETAIL ITEM: 3-4

6



XTRUK 9 SIDES
MAX LOAD 1500kg

4



MOUNTING PROFILE
WITH KEY ID&U-HIGH
NUMBERING

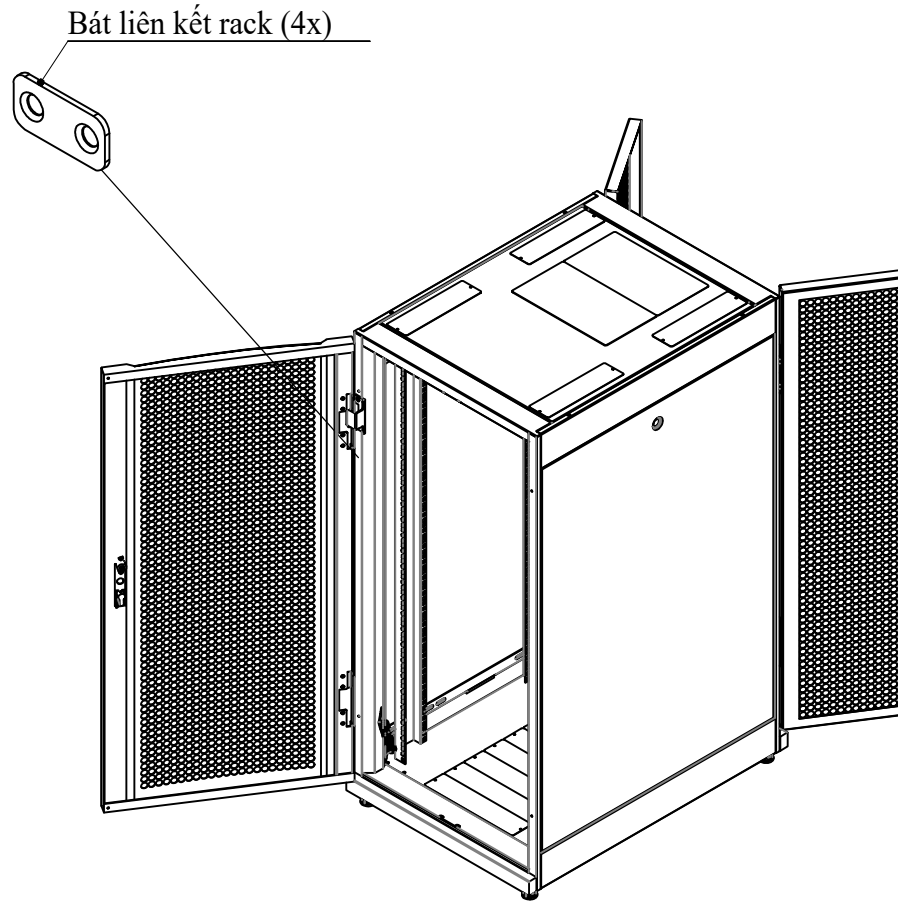
Thanh bắt thiết bị 6 cạnh vững chắc
và được đánh số rõ ràng từng U từ thấp đến cao



ANH MINH TECHNOLOGY COMPANY LIMITED-AMTEC CO.,LTD
17/3, Binh Quoi A, Binh Chuan, Thuan An, Binh Duong, Viet Nam
Tel: (84-274) 3612177 Fax: (84-274) 3612178
Email: info@amtec.com.vn Web: www.amtec.com.vn

Customer:		Drawing title: AMTEC ROYAL-DC DATACENTER CABINET 15U 600x1000		Part No: AMDC15-6100		
Design by: Nguyễn Xuân Hùng	Date: 06-03-2019	Checked by: Lê Hoàng Tuấn	Date: 06-03-2019	Material: SPCC t=1 to 2	Scale: 1:15	
Drawn by: Nguyễn Xuân Hùng	Date: 06-03-2019	Approved by: Phan Quang Đức	Date: 06-03-2019	Qty/Job: -	Unit: mm	
File name: -				Drawing No: 06		

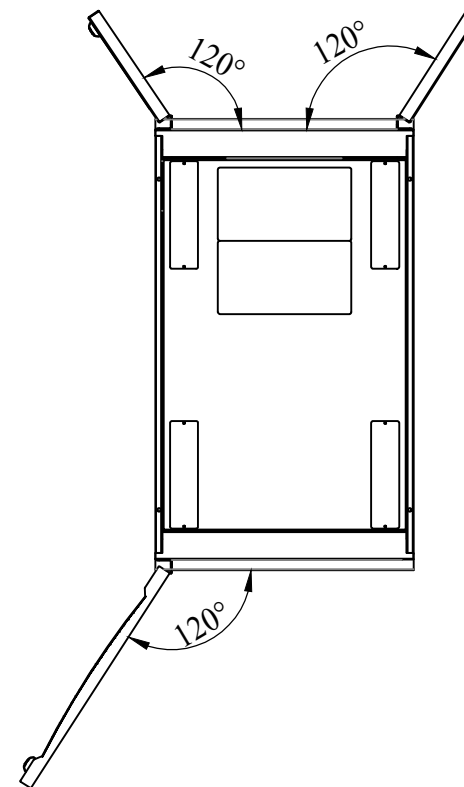
ISOMETRIC VIEW



TOP VIEW

7

Góc mở cửa trước và sau 120 độ



ANH MINH TECHNOLOGY COMPANY LIMITED-AMTEC CO.,LTD
 17/3, Binh Quoi A, Binh Chuan, Thuan An, Binh Duong, Viet Nam
 Tel: (84-274) 3612177 Fax: (84-274) 3612178
 Email: info@amtec.com.vn Web: www.amtec.com.vn

Customer:	Drawing title: AMTEC ROYAL-DC DATACENTER CABINET 15U 600x1000	Part No: AMDC15-6100		
Design by: Nguyễn Xuân Hùng Date: 06-03-2019	Checked by: Lê Hoàng Tuấn Date: 06-03-2019	Material: SPCC t=1 to 2	Scale: 1:10	
Drawn by: Nguyễn Xuân Hùng Date: 06-03-2019	Approved by: Phan Quang Đức Date: 06-03-2019	Qty/Job: -	Unit: mm	
File name:	-	Drawing No: 07		