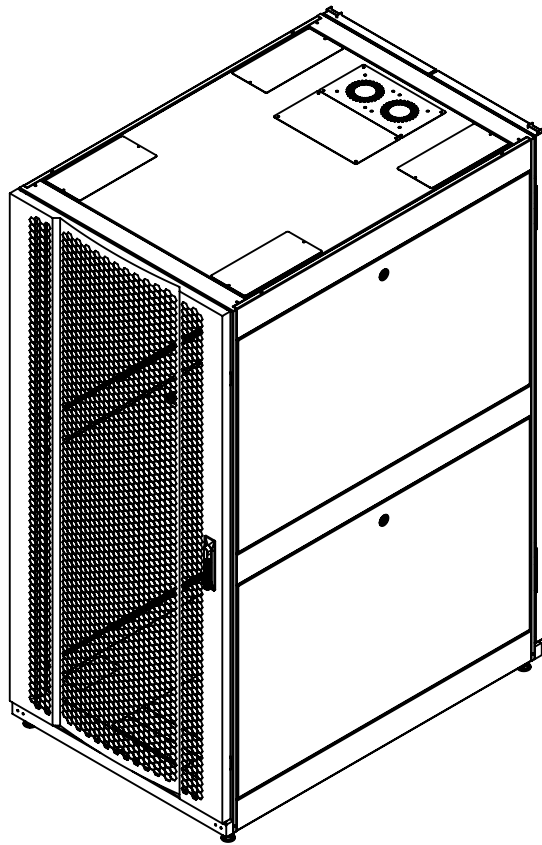
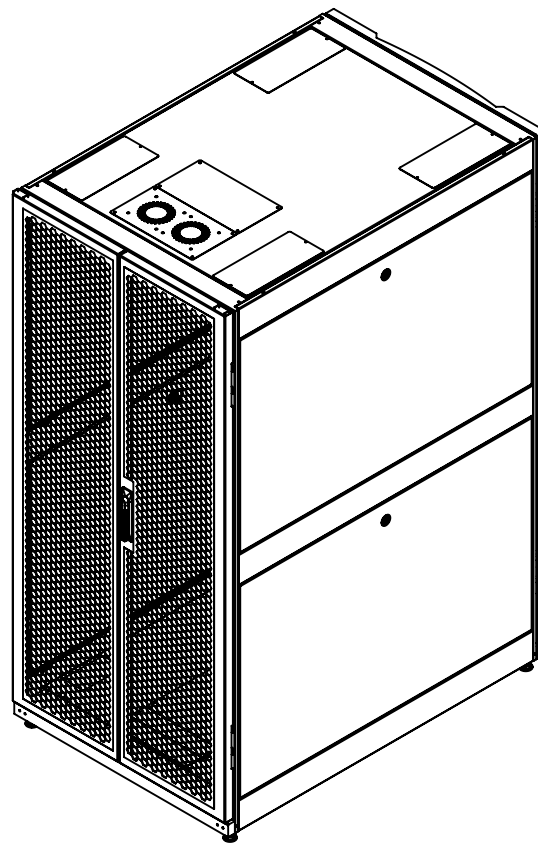


## FRONT&RIGHT VIEW



## REAR&LEFT VIEW



### Specifications

1	Standard	- ISO 9001:2015 - ISO 14001:2015 - CE, EN/IEC 62368-1, RoHS - ANSI/EIA 310-D, phần A - DIN 41494 - BS5954 phần 2 - IEC 60297-1, IEC 60297-2 - IP20
2	Material	- Posso/JSVC Steel - SPCC/SD
3	Load capacity	. On 4 Casters 1200 kg. . On 4 Leveling feets 2000kg.
4	Color	Black
5	Air flow	Hexagon Perforated door >80%

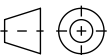


ANH MINH TECHNOLOGY COMPANY LIMITED-AMTEC CO.,LTD  
17/3, Binh Quoi A, Binh Chuan, Thuan An, Binh Duong, Viet Nam  
Tel: (84-650) 3612177 Fax: (84-650) 3612178  
Email: info@amtec.com.vn Web: www.amtec.com.vn

Customer: -  
Design by: **HUỖNH HỮU AN** Date: -  
Drawn by: **HUỖNH HỮU AN** Date: -  
File name: -

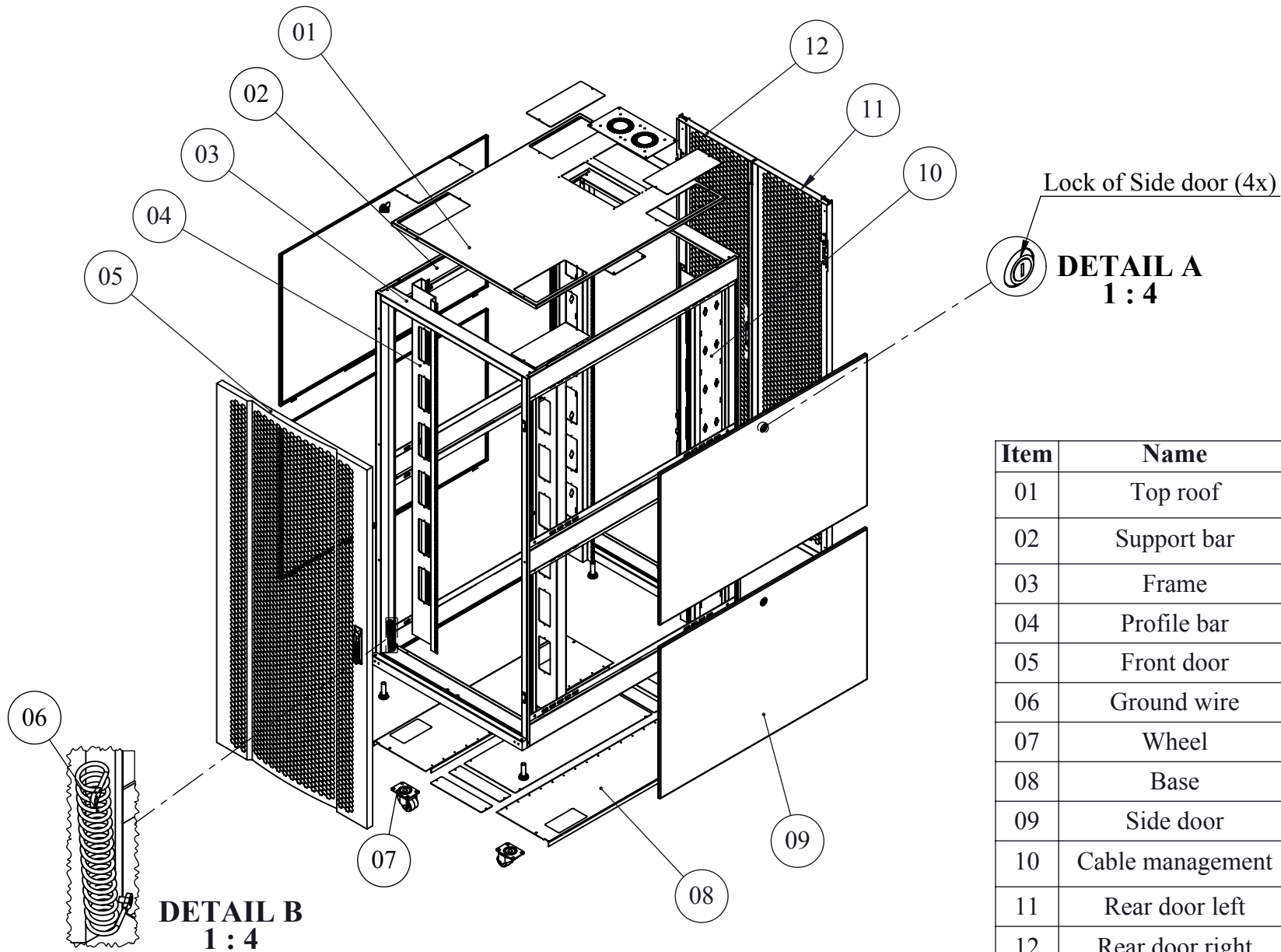
Drawing title:  
**AMTEC Royal-DC® DATACENTER CABINET**  
36U 800x1200  
Checked by: **LÊ HOÀNG TUẤN** Date: -  
Approved by: **PHAN QUANG ĐỨC** Date: -

Part No:  
**AM-DC36-8120**  
Material: **SPCC t=1.0 to 2.0** Scale: **1:20**  
Qty/Job: - Unit: **mm**  
Drawing No: **1**



Sheet No:  
**7**

# EXPLODE VIEW



Item	Name	Q'Ty	Thick	Description
01	Top roof	1	1.2	
02	Support bar	6	2.0	
03	Frame	2	2.0	
04	Profile bar	4	2.0	
05	Front door	1	1.2	>80% Perforated
06	Ground wire	3		
07	Wheel	4		Phi 50 x74H
08	Base	2	1.5	
09	Side door	4	1.0	
10	Cable management	2	1.0	Up to 4 PDU
11	Rear door left	1	1.2	>80% Perforated
12	Rear door right	1	1.2	>80% Perforated

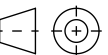


ANH MINH TECHNOLOGY COMPANY LIMITED-AMTEC CO.,LTD  
 17/3, Binh Quoi A, Binh Chuan, Thuan An, Binh Duong, Viet Nam  
 Tel: (84-650) 3612177 Fax: (84-650) 3612178  
 Email: info@amtec.com.vn Web: www.amtec.com.vn

Customer: -  
 Design by: **HUỖNH HỮU AN** Date: -  
 Drawn by: **HUỖNH HỮU AN** Date: -  
 File name: -

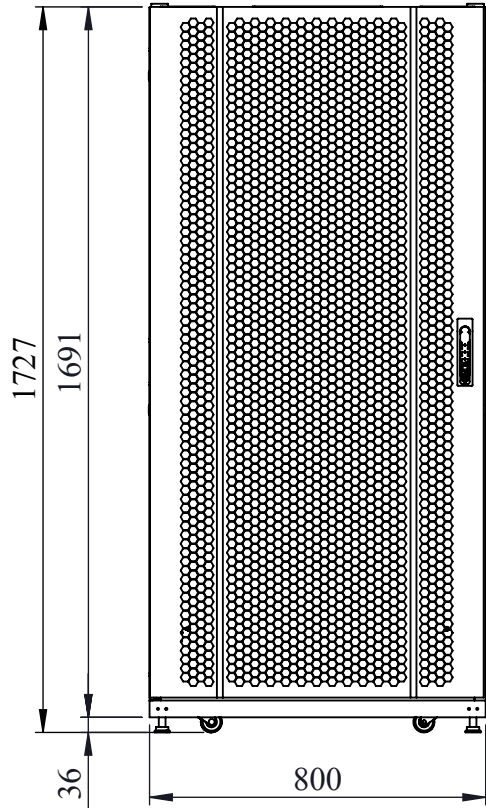
Drawing title:  
**AMTEC Royal-DC® DATACENTER CABINET**  
**36U 800x1200**  
 Checked by: **LÊ HOÀNG TUẤN** Date: -  
 Approved by: **PHAN QUANG ĐỨC** Date: -

Part No:  
**AM-DC36-8120**  
 Material: **SPCC t=1.0 to 2.0** Scale: **1:22**  
 Qty/Job: - Unit: **mm**  
 Drawing No: **2**

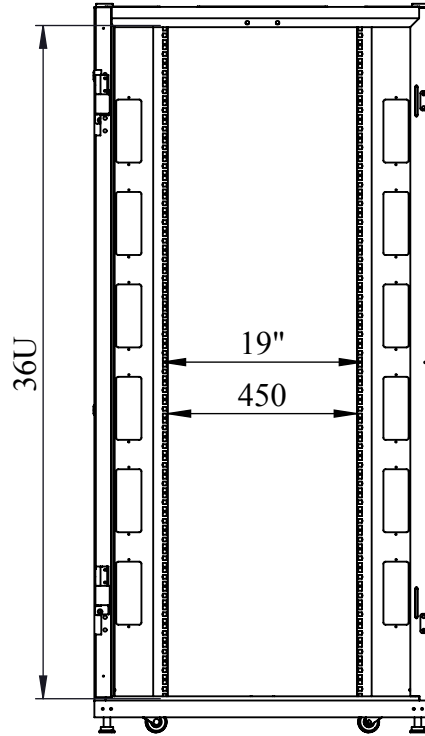


Sheet No:  
**7**

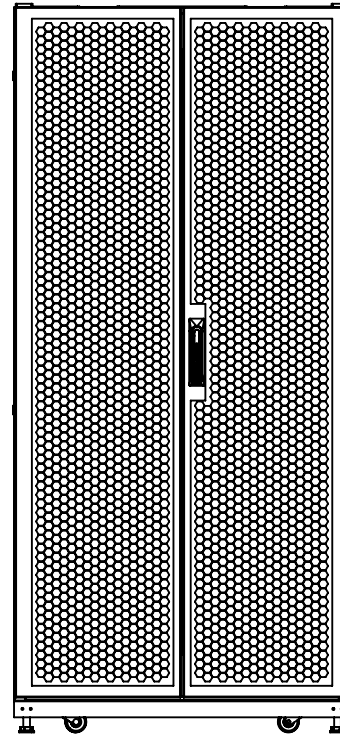
**FRONT VIEW**



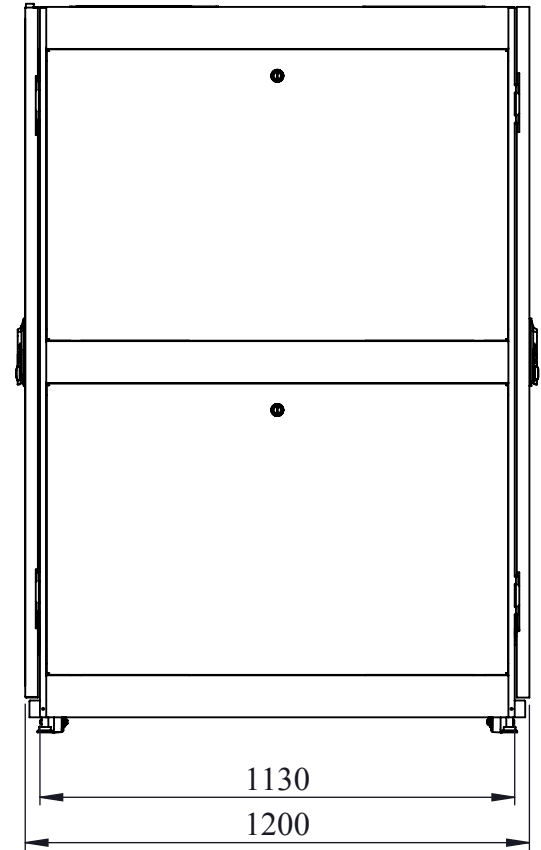
**FRONT VIEW  
(REMOVED DOOR)**



**REAR VIEW**



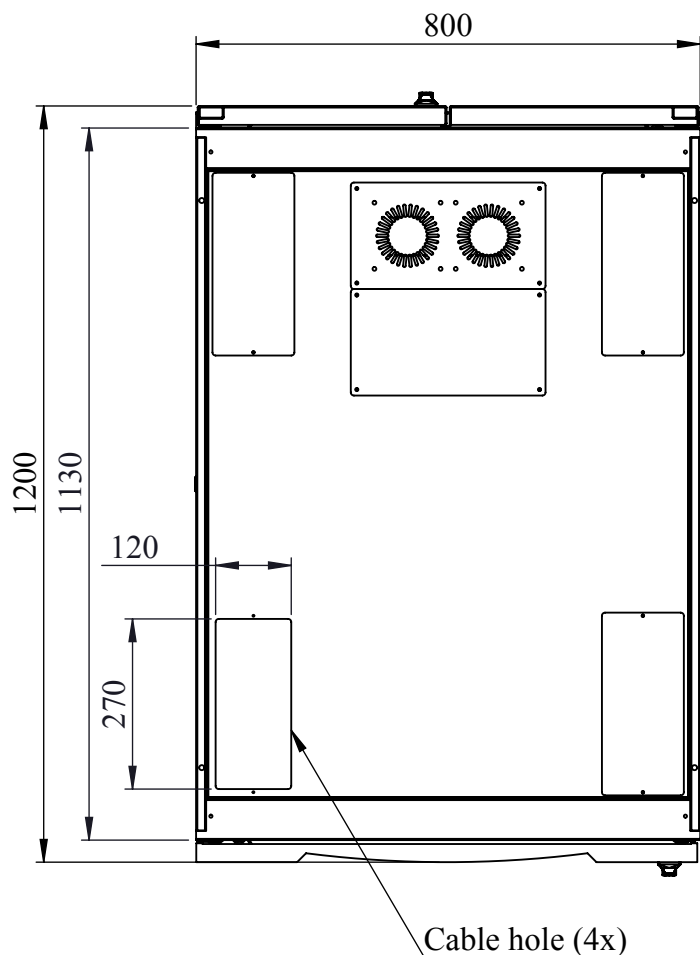
**SIDE VIEW**



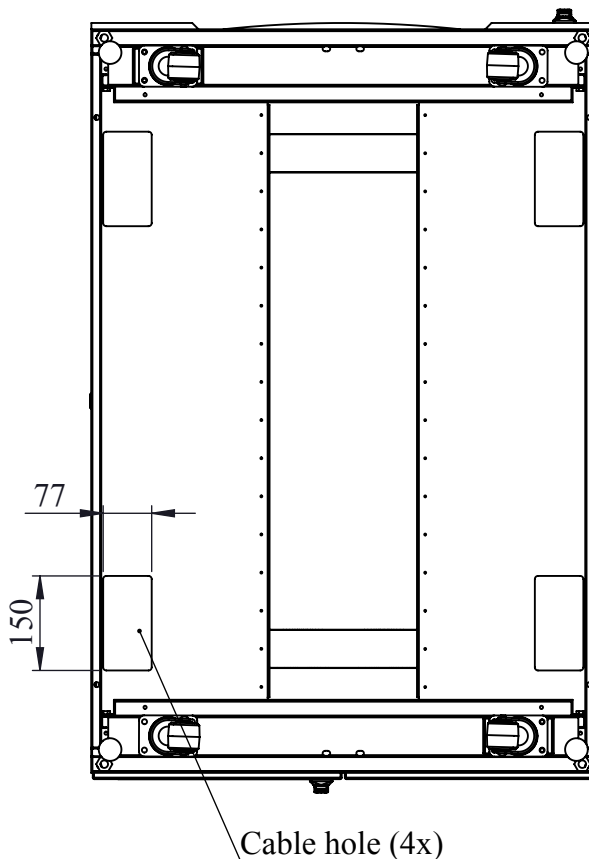
ANH MINH TECHNOLOGY COMPANY LIMITED-AMTEC CO.,LTD  
 17/3, Binh Quoi A, Binh Chuan, Thuan An, Binh Duong, Viet Nam  
 Tel: (84-650) 3612177 Fax: (84-650) 3612178  
 Email: info@amtec.com.vn Web: www.amtec.com.vn

<b>Customer:</b>	-	<b>Drawing title:</b>	AMTEC Royal-DC® DATACENTER CABINET 36U 800x1200		<b>Part No:</b>	AM-DC36-8120	
<b>Design by:</b> HUỖNH HỮU AN	<b>Date:</b>	<b>Checked by:</b> LÊ HOÀNG TUẤN	<b>Date:</b>	<b>Material:</b> SPCC t=1.0 to 2.0	<b>Scale:</b> 1:18	<b>Sheet No:</b>	
<b>Drawn by:</b> HUỖNH HỮU AN	<b>Date:</b>	<b>Approved by:</b> PHAN QUANG ĐỨC	<b>Date:</b>	<b>Qty/Job:</b> -	<b>Unit:</b> mm	7	
<b>File name:</b>	-	<b>Drawing No:</b>	3				

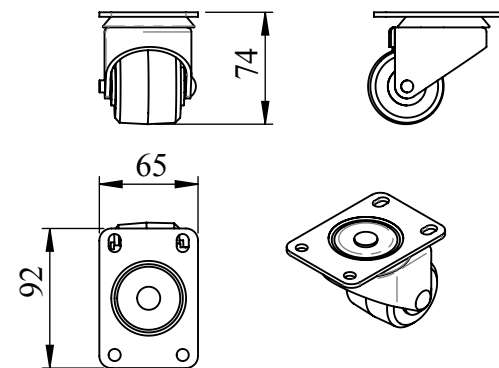
### TOP VIEW



### BOTTOM VIEW

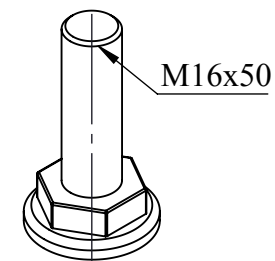


### Caster



Max load 1200kg

### Level feet



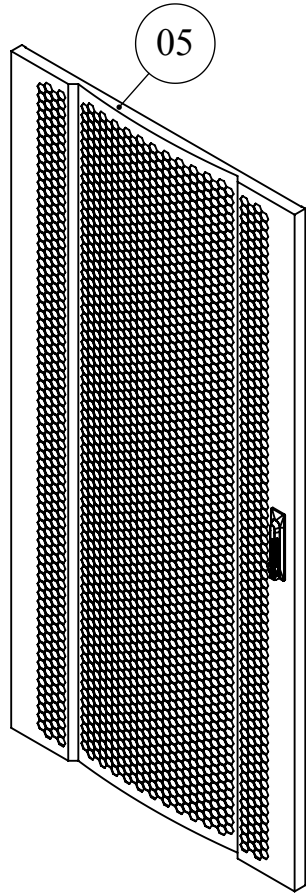
Max load 2000kg



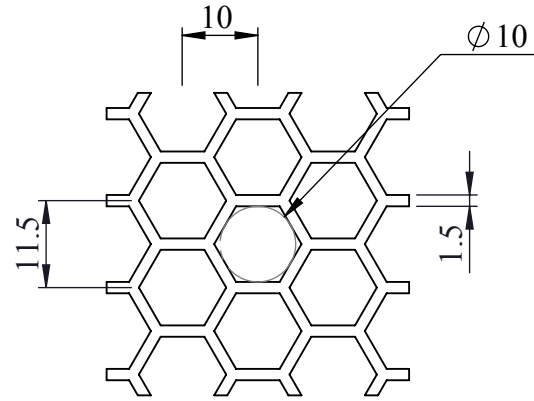
ANH MINH TECHNOLOGY COMPANY LIMITED-AMTEC CO.,LTD  
 17/3, Binh Quoi A, Binh Chuan, Thuan An, Binh Duong, Viet Nam  
 Tel: (84-650) 3612177 Fax: (84-650) 3612178  
 Email: info@amtec.com.vn Web: www.amtec.com.vn

<b>Customer:</b>	-	<b>Drawing title:</b>	AMTEC Royal-DC® DATACENTER CABINET 36U 800x1200	<b>Part No:</b>	AM-DC36-8120		
<b>Design by:</b> HUỖNH HỮU AN	<b>Date:</b>	<b>Checked by:</b> LÊ HOÀNG TUẤN	<b>Date:</b>	<b>Material:</b> SPCC t=1.0 to 2.0	<b>Scale:</b> 1:12		<b>Sheet No:</b>
<b>Drawn by:</b> HUỖNH HỮU AN	<b>Date:</b>	<b>Approved by:</b> PHAN QUANG ĐỨC	<b>Date:</b>	<b>Qty/Job:</b> -	<b>Unit:</b> mm		7
<b>File name:</b>	-			<b>Drawing No:</b>	4		

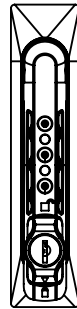
**FRONT DOOR**



**DETAIL ITEM:**

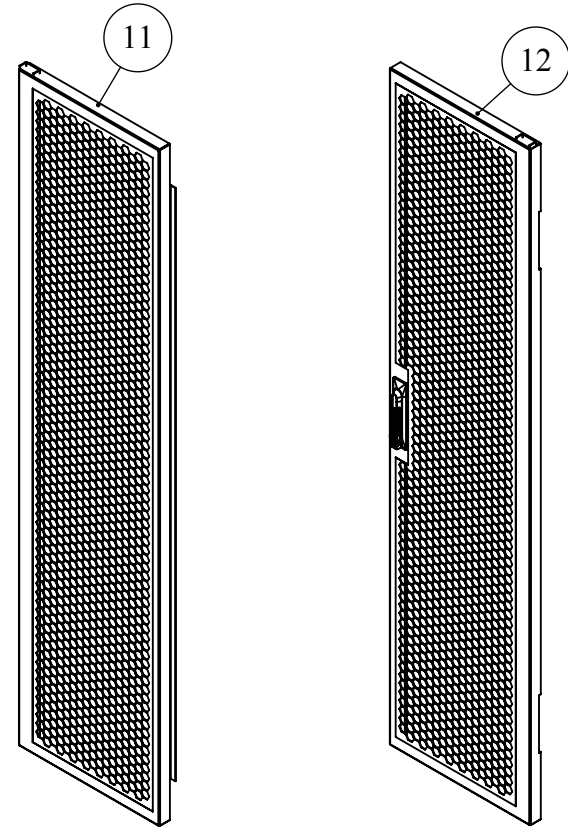


DETAIL A: HEXAGON  
>80% PERFORATED DOOR



SWINGHANDLE KEY  
AND NUMBER LOCK

**REAR DOOR**

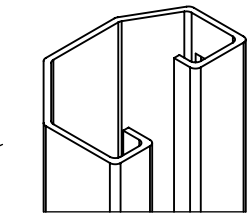
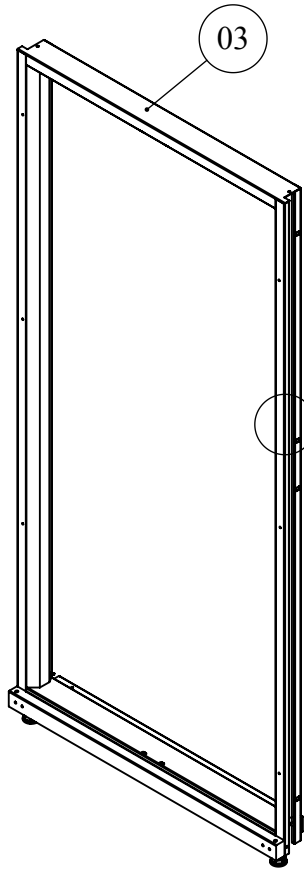


ANH MINH TECHNOLOGY COMPANY LIMITED-AMTEC CO.,LTD  
17/3, Binh Quoi A, Binh Chuan, Thuan An, Binh Duong, Viet Nam  
Tel: (84-650) 3612177 Fax: (84-650) 3612178  
Email: info@amtec.com.vn Web: www.amtec.com.vn

<b>Customer:</b>	-	<b>Drawing title:</b>	AMTEC Royal-DC® DATACENTER CABINET 36U 800x1200	<b>Part No:</b>	AM-DC36-8120				
<b>Design by:</b>	HUỖNH HỮU ẮN	<b>Date:</b>		<b>Material:</b>	SPCC t=1.0 to 2.0		<b>Scale:</b>	1:15	<b>Sheet No:</b>
<b>Drawn by:</b>	HUỖNH HỮU ẮN	<b>Date:</b>		<b>Checked by:</b>	LÊ HOÀNG TUẤN		<b>Qty/Job:</b>	-	
<b>File name:</b>	-	<b>Date:</b>		<b>Approved by:</b>	PHAN QUANG ĐỨC		<b>Unit:</b>	mm	
				<b>Drawing No:</b>	5				

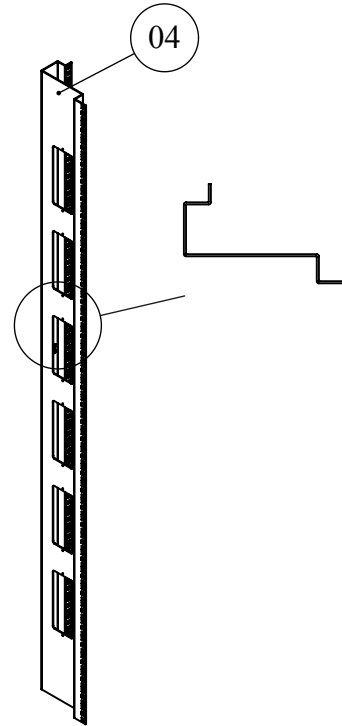
# DETAIL ITEM:

## FRAME

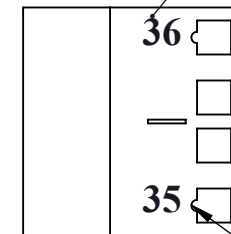


XTRUK 9 SIDES  
MAX LOAD 2000kg

## PROFILE BAR



U-HIGH  
NUMBERING



KEY ID

MOUNTING PROFILE

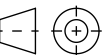


ANH MINH TECHNOLOGY COMPANY LIMITED-AMTEC CO.,LTD  
17/3, Binh Quoi A, Binh Chuan, Thuan An, Binh Duong, Viet Nam  
Tel: (84-650) 3612177 Fax: (84-650) 3612178  
Email: info@amtec.com.vn Web: www.amtec.com.vn

<b>Customer:</b>	-
<b>Design by:</b> HUỖNH HỮU AN	<b>Date:</b>
<b>Drawn by:</b> HUỖNH HỮU AN	<b>Date:</b>
<b>File name:</b>	-

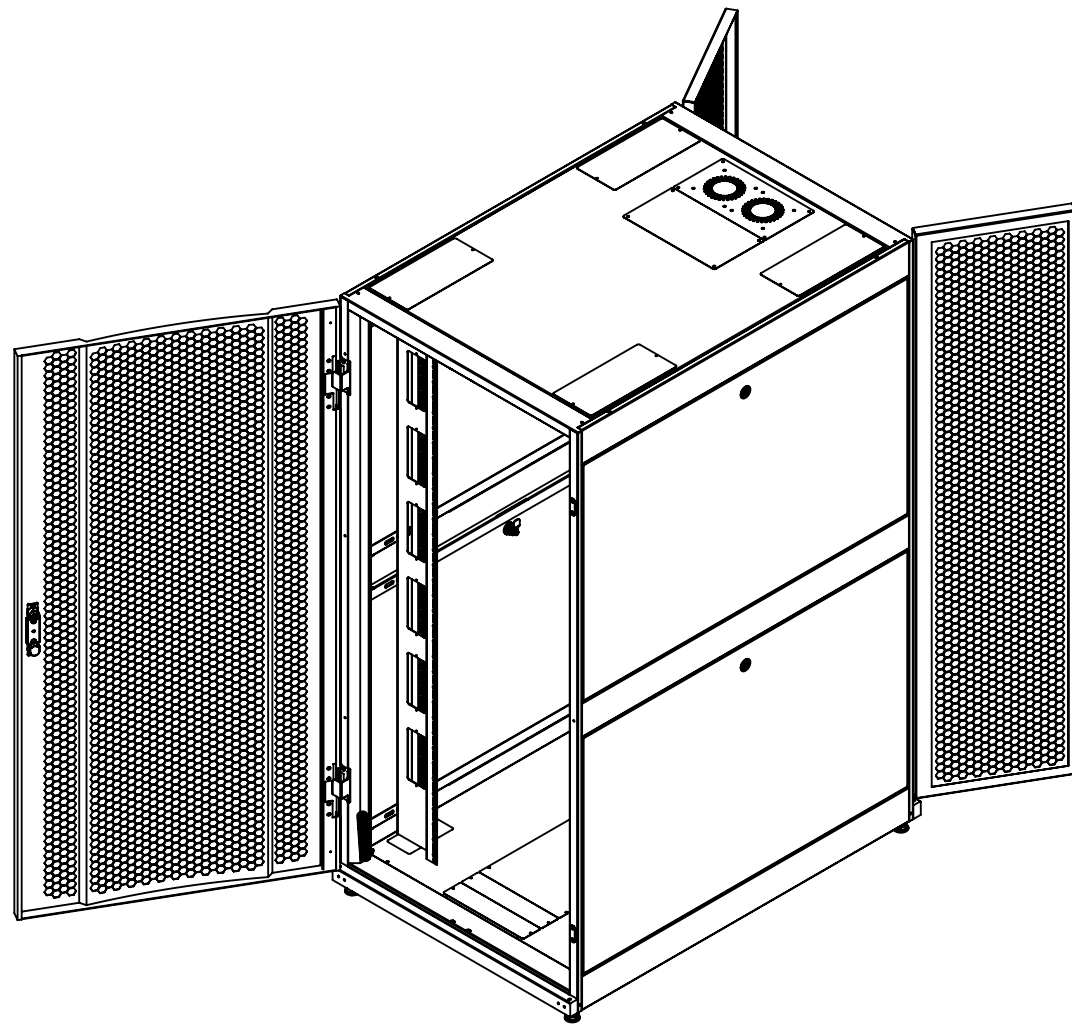
<b>Drawing title:</b>	AMTEC Royal-DC® DATACENTER CABINET 36U 800x1200
<b>Checked by:</b> LÊ HOÀNG TUẤN	<b>Date:</b>
<b>Approved by:</b> PHAN QUANG ĐỨC	<b>Date:</b>

<b>Part No:</b>	AM-DC36-8120
<b>Material:</b> SPCC t=1.0 to 2.0	<b>Scale:</b> 1:16
<b>Qty/Job:</b> -	<b>Unit:</b> mm
<b>Drawing No:</b>	6

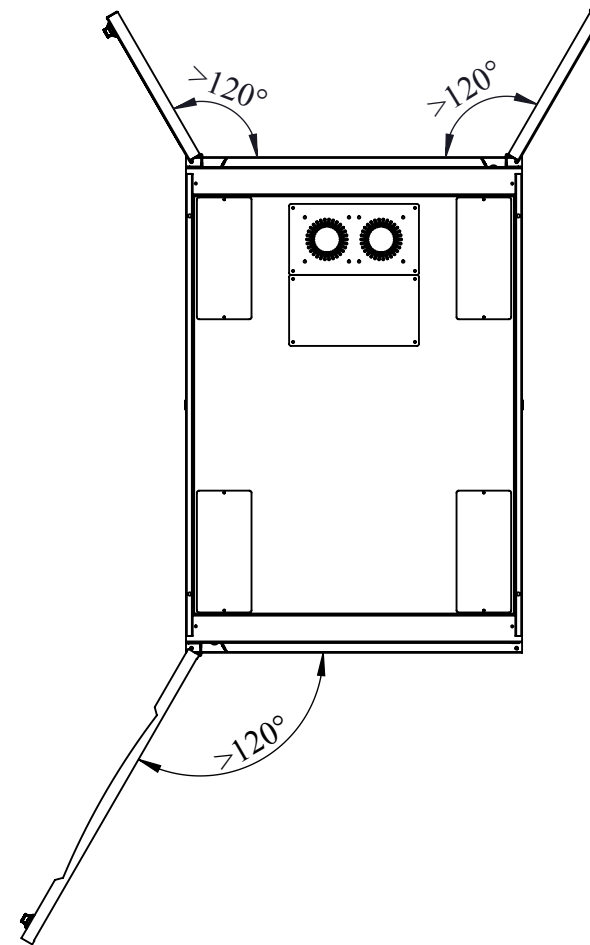


**Sheet No:**  
7

# ISOMETRIC VIEW



# TOP VIEW



ANH MINH TECHNOLOGY COMPANY LIMITED-AMTEC CO.,LTD  
 17/3, Binh Quoi A, Binh Chuan, Thuan An, Binh Duong, Viet Nam  
 Tel: (84-650) 3612177 Fax: (84-650) 3612178  
 Email: info@amtec.com.vn Web: www.amtec.com.vn

<b>Customer:</b>	-	<b>Drawing title:</b>	AMTEC Royal-DC® DATACENTER CABINET 36U 800x1200		<b>Part No:</b>	AM-DC36-8120								
<b>Design by:</b>	HUỖNH HỮU ẮN	<b>Date:</b>	-	<b>Checked by:</b>	LÊ HOẮNG TUẮN	<b>Date:</b>	-		<b>Material:</b>	SPCC t=1.0 to 2.0	<b>Scale:</b>	1:18	<b>Sheet No:</b>	7
<b>Drawn by:</b>	HUỡNH HỮU ẮN	<b>Date:</b>	-	<b>Approved by:</b>	PHAN QUANG ĐỨC	<b>Date:</b>	-		<b>Qty/Job:</b>	-	<b>Unit:</b>	mm		
<b>File name:</b>	-								<b>Drawing No:</b>	7				