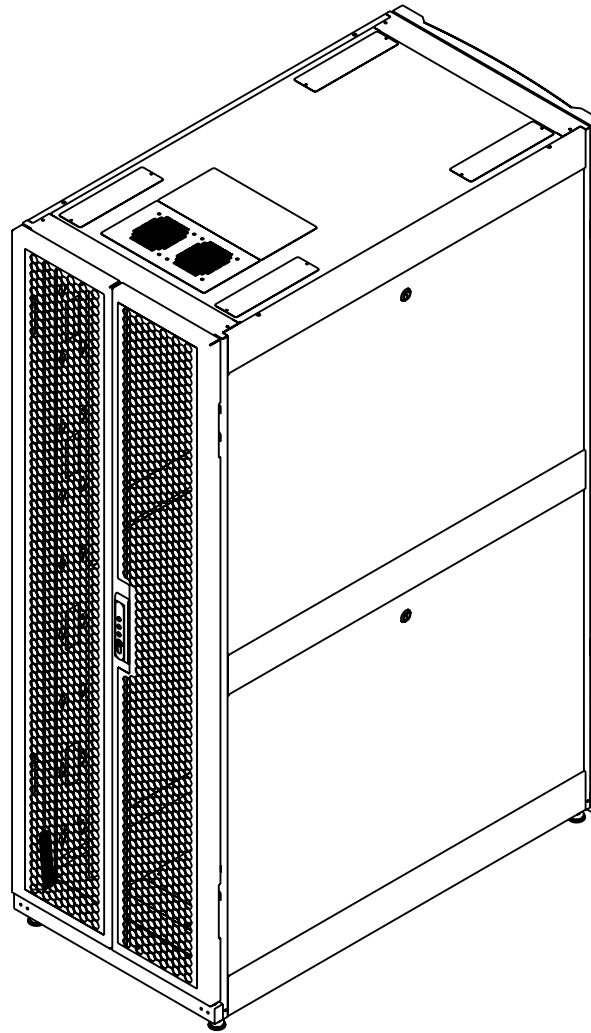
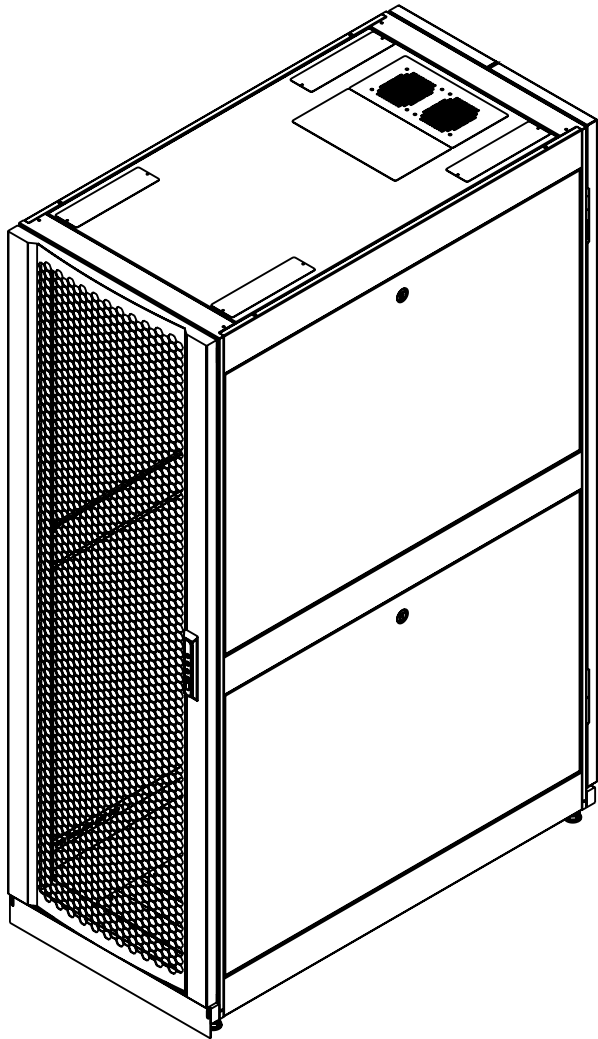


FRONT&RIGHT VIEW

REAR&LEFT VIEW



Thông số kỹ thuật:

1	Các tiêu chuẩn	<ul style="list-style-type: none"> . ISO 9001:2015 . ISO 14001:2015 . CE, EN/IEC 62368-1, RoHS, . ANSI/EIA 310-D, phần A. . DIN 41494, . BS5954 phần 2. . IEC 60297-1, IEC 60297-2.
2	Độ dày thép	<ul style="list-style-type: none"> . Khung 2mm. . Thanh treo thiết bị 2mm. . Cửa trước và sau 1.2mm. . Cửa hông 0.8mm. . Đê che 1.2mm. . Thanh bật nguồn/Quản lý cáp 1mm. . Thanh nối khung trước&sau 1.5mm.
3	Tải trọng	<ul style="list-style-type: none"> . Trên các bánh xe 1000 kg. . Trên các chân đế 1500 kg.
4	Màu sơn	Sơn tĩnh điện màu đen
5	Độ thông thoáng	Cửa lưới lục giác trước&sau thông thoáng >80%



ANH MINH TECHNOLOGY COMPANY LIMITED-AMTEC CO.,LTD
 17/3, Binh Quoi A, Binh Chuan, Thuan An, Binh Duong, Viet Nam
 Tel: (84-650) 3612177 Fax: (84-650) 3612178
 Email: info@amtec.com.vn Web: www.amtec.com.vn

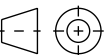
Customer: -

Drawing title:

AMTEC Royal-DC® DATACENTER
 Cabinet 36U 600 x 1170

Part No:

AM-DC36-6117



Design by: HUỖNH HỮU AN Date: 02/10/2023

Checked by: LÊ HOÀNG TUẤN Date: 02/10/2023

Material: SPCC t=1 to 2

Scale: 1:16

Sheet No:

Drawn by: HUỖNH HỮU AN Date: 02/10/2023

Approved by: PHAN QUANG ĐỨC Date: 02/10/2023

Qty/Job: -

Unit: mm

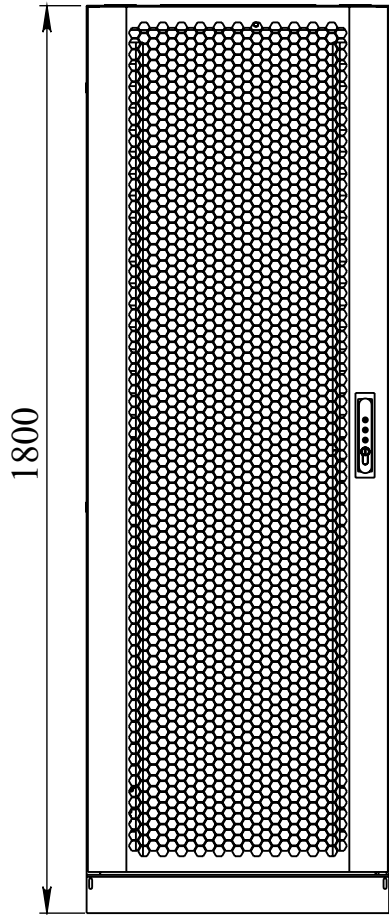
11

File name: -

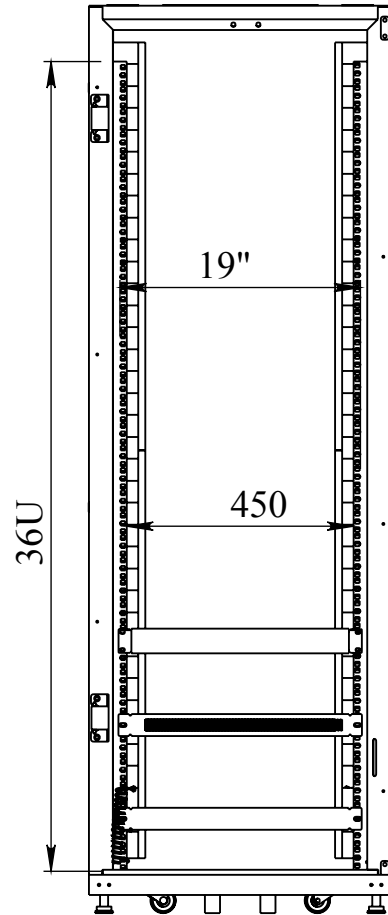
Drawing No:

1

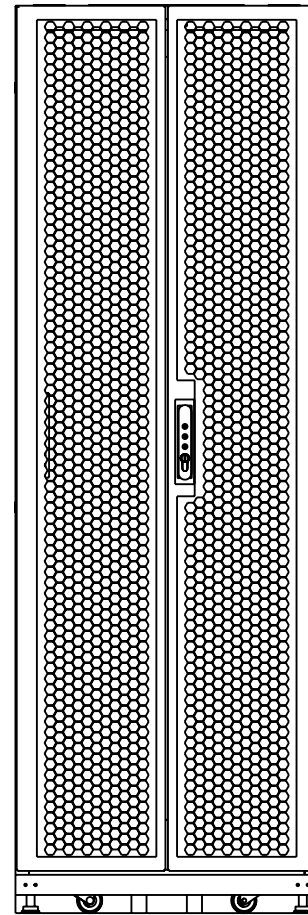
FRONT VIEW



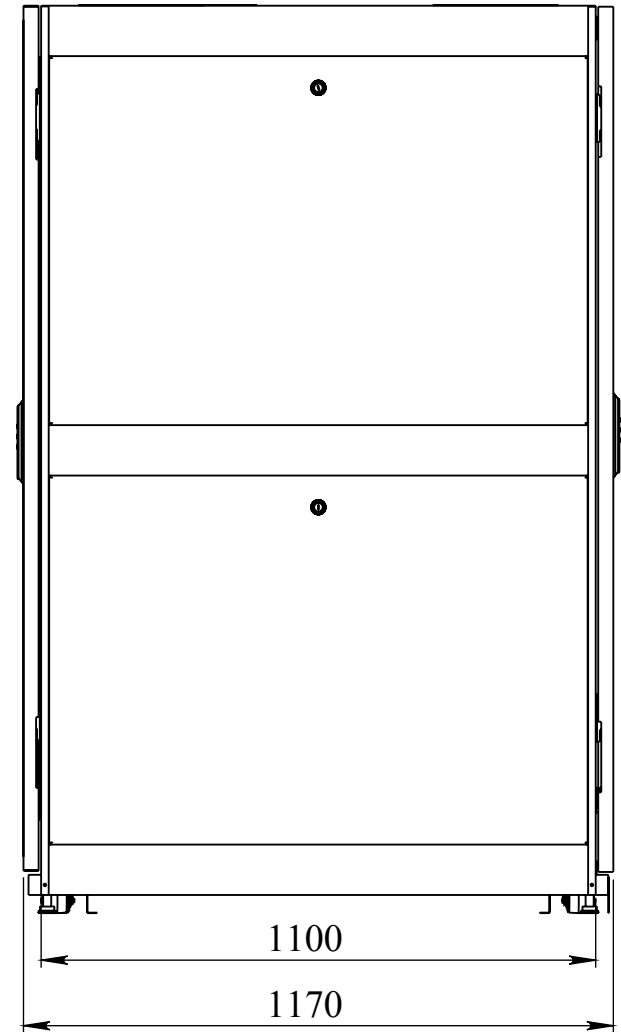
**FRONT VIEW
(REMOVED DOOR)**



REAR VIEW



SIDE VIEW



ANH MINH TECHNOLOGY COMPANY LIMITED-AMTEC CO.,LTD
 17/3, Binh Quoi A, Binh Chuan, Thuan An, Binh Duong, Viet Nam
 Tel: (84-650) 3612177 Fax: (84-650) 3612178
 Email: info@amtec.com.vn Web: www.amtec.com.vn

Customer: -

Design by: HUỖNH HỮU AN **Date:** 02/10/2023

Drawn by: HUỖNH HỮU AN **Date:** 02/10/2023

File name: -

Drawing title:
 AMTEC Royal-DC® DATACENTER
 Cabinet 36U 600 x 1170

Checked by: LÊ HOÀNG TUẤN **Date:** 02/10/2023

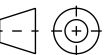
Approved by: PHAN QUANG ĐỨC **Date:** 02/10/2023

Part No:
 AM-DC36-6117

Material: SPCC t=1 to 2

Qty/Job: -

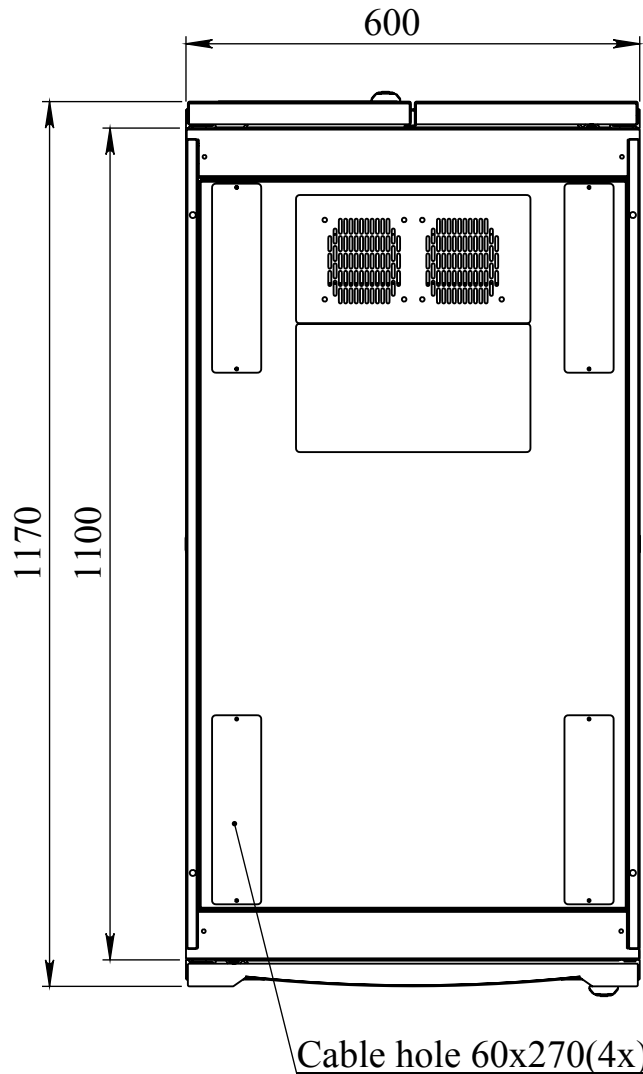
Drawing No: 3



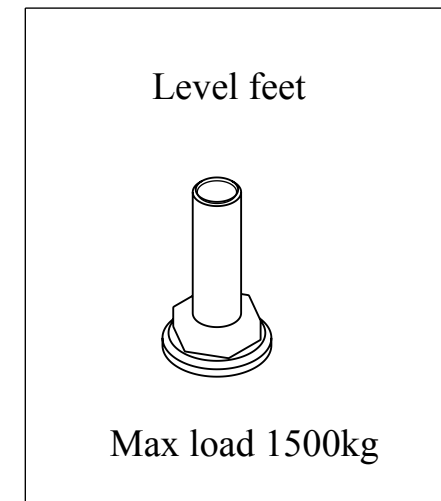
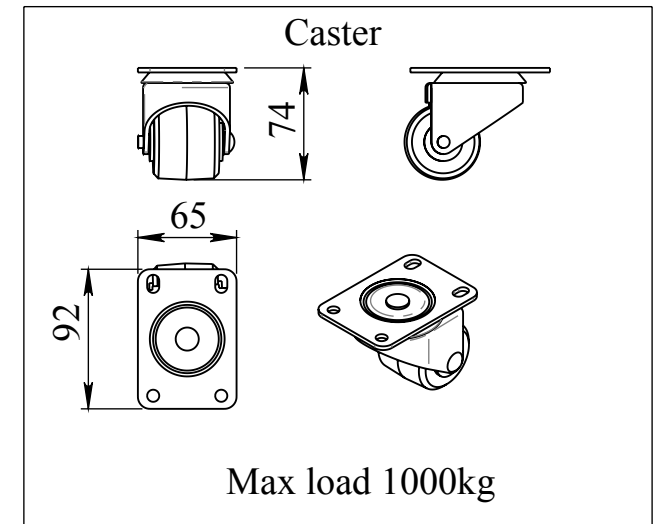
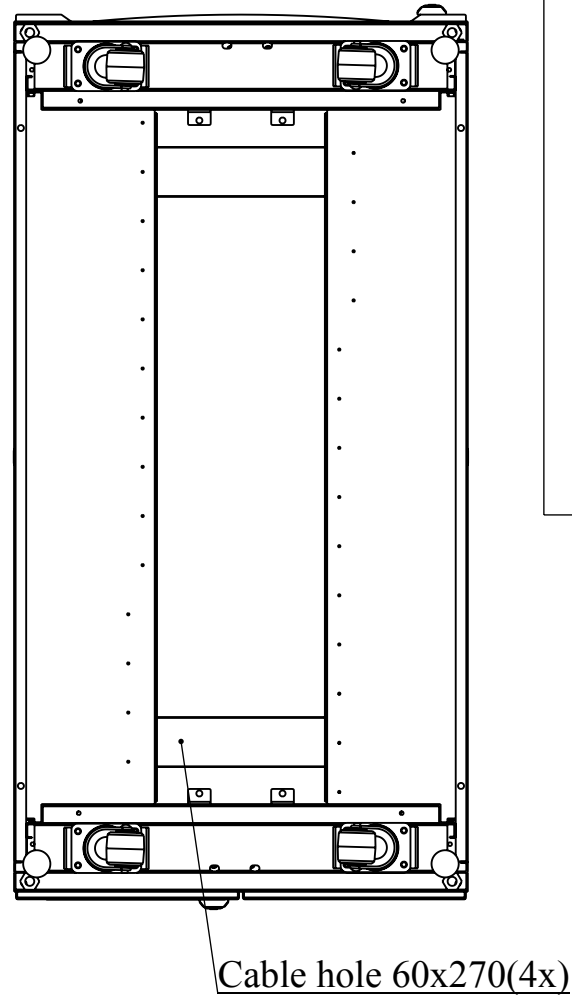
Sheet No:
 11

Scale: 1:15
Unit: mm

TOP VIEW



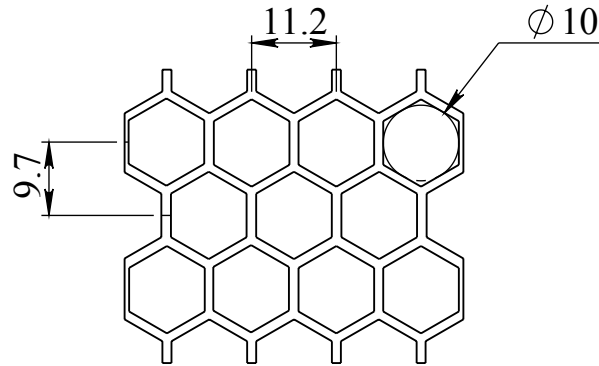
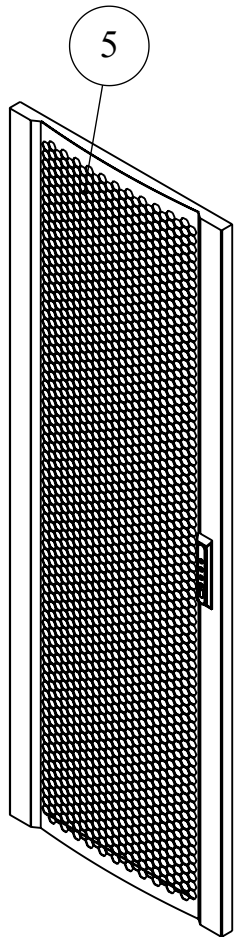
BOTTOM VIEW



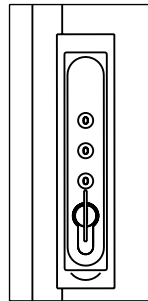
ANH MINH TECHNOLOGY COMPANY LIMITED-AMTEC CO.,LTD
 17/3, Binh Quoi A, Binh Chuan, Thuan An, Binh Duong, Viet Nam
 Tel: (84-650) 3612177 Fax: (84-650) 3612178
 Email: info@amtec.com.vn Web: www.amtec.com.vn

Customer:	-	Drawing title:	AMTEC Royal-DC® DATACENTER Cabinet 36U 600 x 1170		Part No:	AM-DC36-6117								
Design by:	HUỖNH HỮU AN	Date:	02/10/2023	Checked by:	LÊ HOÀNG TUẤN	Date:		02/10/2023	Material:	SPCC t=1 to 2	Scale:	1:50	Sheet No:	11
Drawn by:	HUỖNH HỮU AN	Date:	02/10/2023	Approved by:	PHAN QUANG ĐỨC	Date:		02/10/2023	Qty/Job:	-	Unit:	mm		
File name:	-			Drawing No:	4									

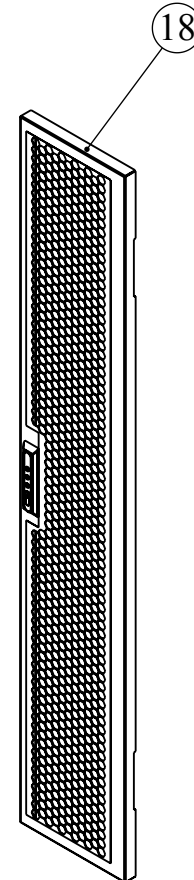
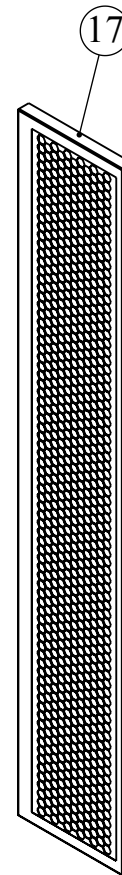
DETAIL ITEM: 5-17-18



DETAIL A: 80% HEXAGON PERFORATED DOOR



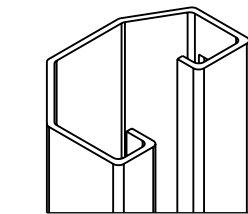
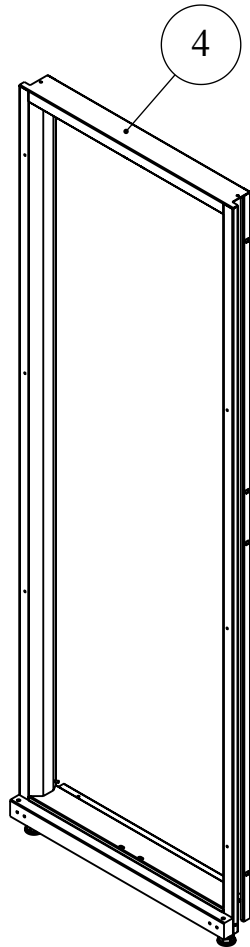
SWINGHANDLE KEY



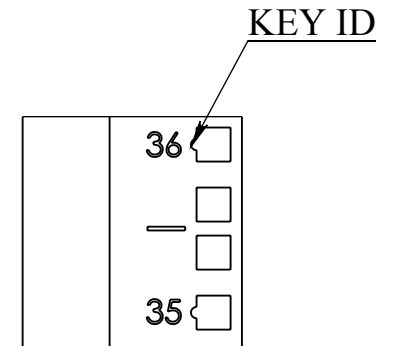
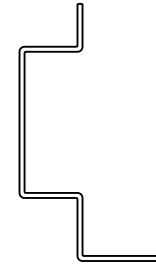
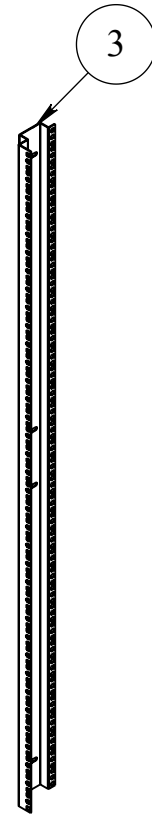
ANH MINH TECHNOLOGY COMPANY LIMITED-AMTEC CO.,LTD
 17/3, Binh Quoi A, Binh Chuan, Thuan An, Binh Duong, Viet Nam
 Tel: (84-650) 3612177 Fax: (84-650) 3612178
 Email: info@amtec.com.vn Web: www.amtec.com.vn

Customer:	-	Drawing title:	AMTEC Royal-DC® DATACENTER Cabinet 36U 600 x 1170		Part No:	AM-DC36-6117		Sheet No:				
Design by:	HUỖNH HỮU AN	Date:	02/10/2023	Checked by:	LÊ HOÀNG TUẤN	Date:			02/10/2023	Material:		Scale:
Drawn by:	HUỖNH HỮU AN	Date:	02/10/2023	Approved by:	PHAN QUANG ĐỨC	Date:	02/10/2023	Qty/Job:	-	Unit:	mm	
File name:	-	Drawing No:	5									

DETAIL ITEM: 3-4



XTRUK 9 SIDES
MAX LOAD 1500kg



MOUNTING PROFILE
WITH KEY ID&U-HIGH
NUMBERING

Thanh bắt thiết bị 6 cạnh vững chắc
và được đánh số rõ ràng từng U từ thấp đến cao

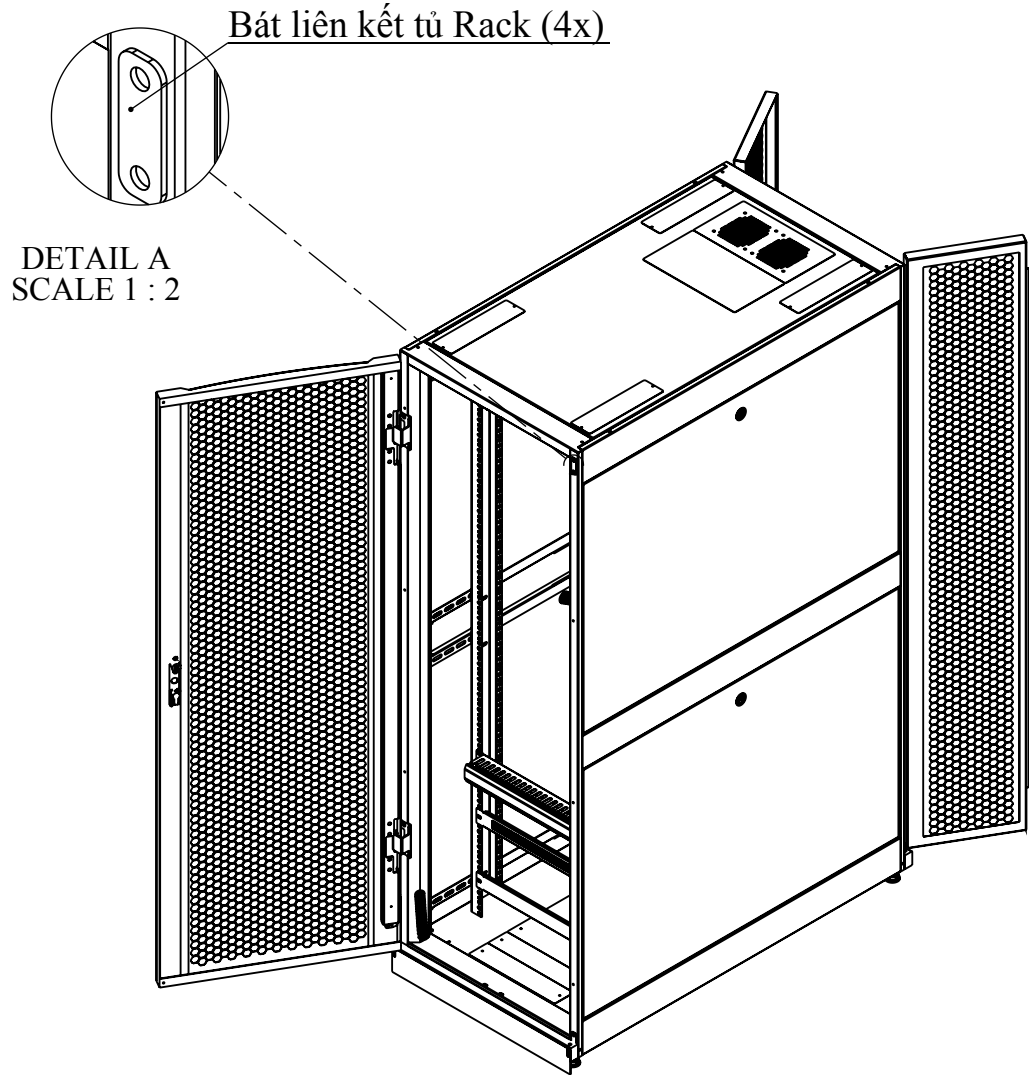


ANH MINH TECHNOLOGY COMPANY LIMITED-AMTEC CO.,LTD
17/3, Binh Quoi A, Binh Chuan, Thuan An, Binh Duong, Viet Nam
Tel: (84-650) 3612177 Fax: (84-650) 3612178
Email: info@amtec.com.vn Web: www.amtec.com.vn

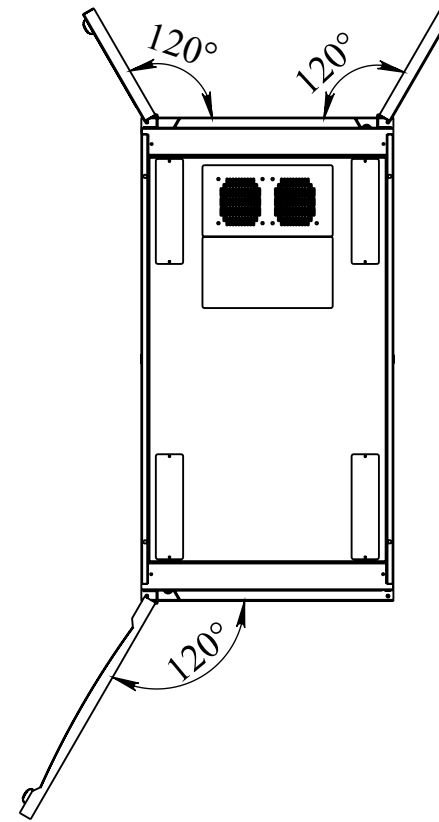
Customer: -	Drawing title: AMTEC Royal-DC® DATACENTER Cabinet 36U 600 x 1170	Part No: AM-DC36-6117		
Design by: HUỖNH HỮU AN Date: 02/10/2023	Checked by: LÊ HOÀNG TUẤN Date: 02/10/2023	Material:	Scale: 1:15	Sheet No: 11
Drawn by: HUỖNH HỮU AN Date: 02/10/2023	Approved by: PHAN QUANG ĐỨC Date: 02/10/2023	Qty/Job: -	Unit: mm	
File name: -	Drawing No: 6			

ISOMETRIC VIEW

TOP VIEW



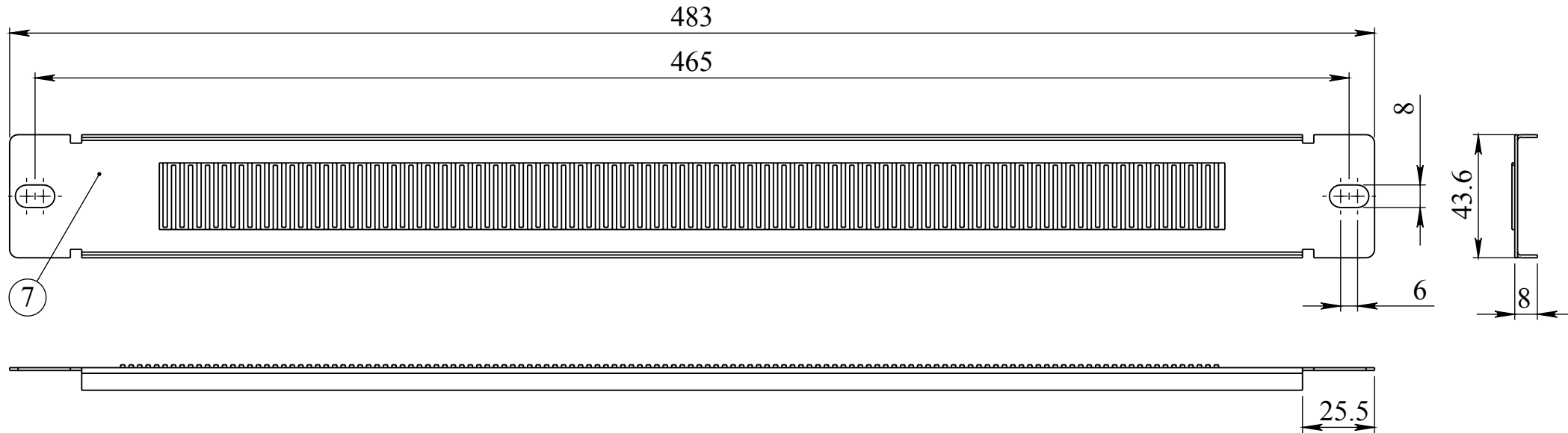
Góc mở cửa trước và sau 120 độ



ANH MINH TECHNOLOGY COMPANY LIMITED-AMTEC CO.,LTD
 17/3, Binh Quoi A, Binh Chuan, Thuan An, Binh Duong, Viet Nam
 Tel: (84-650) 3612177 Fax: (84-650) 3612178
 Email: info@amtec.com.vn Web: www.amtec.com.vn

Customer:	-	Drawing title:	AMTEC Royal-DC® DATACENTER Cabinet 36U 600 x 1170		Part No:	AM-DC36-6117								
Design by:	HUỖNH HỮU AN	Date:	02/10/2023	Checked by:	LÊ HOÀNG TUẤN	Date:	02/10/2023		Material:	SPCC t=1 to 2	Scale:	1:18	Sheet No:	11
Drawn by:	HUỖNH HỮU AN	Date:	02/10/2023	Approved by:	PHAN QUANG ĐỨC	Date:	02/10/2023		Qty/Job:	-	Unit:	mm		
File name:	-			Drawing No:	7									

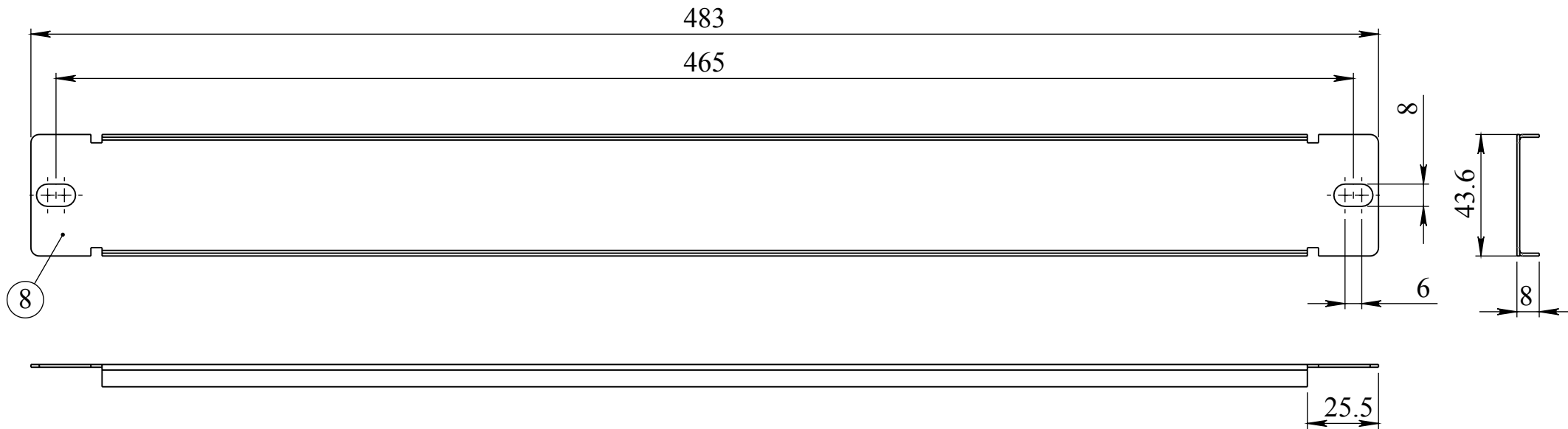
Tấm bịt trước luồng cáp 1U



ANH MINH TECHNOLOGY COMPANY LIMITED-AMTEC CO.,LTD
 17/3, Binh Quoi A, Binh Chuan, Thuan An, Binh Duong, Viet Nam
 Tel: (84-650) 3612177 Fax: (84-650) 3612178
 Email: info@amtec.com.vn Web: www.amtec.com.vn

Customer:	-	Drawing title:	AMTEC Royal-DC® DATACENTER Cabinet 36U 600 x 1170		Part No:	AM-DC36-6117					
Design by:	HUỖNH HỮU AN	Date:	02/10/2023	Checked by:	LÊ HOÀNG TUẤN	Date:		02/10/2023	Material:	Scale: 1:2	Sheet No:
Drawn by:	HUỖNH HỮU AN	Date:	02/10/2023	Approved by:	PHAN QUANG ĐỨC	Date:		02/10/2023			
File name:	-			Drawing No:	8			Sheet No:	11		

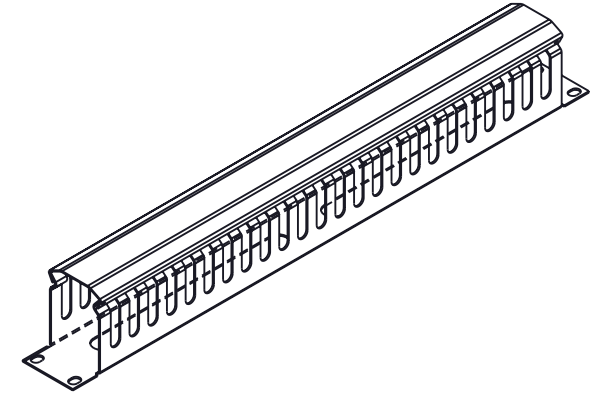
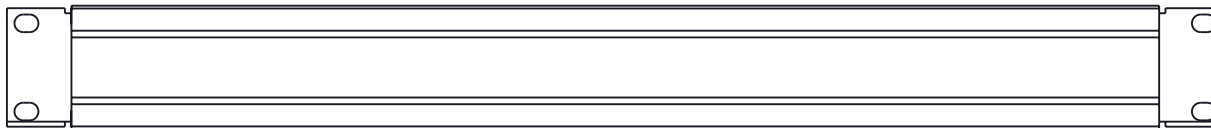
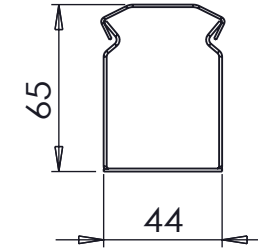
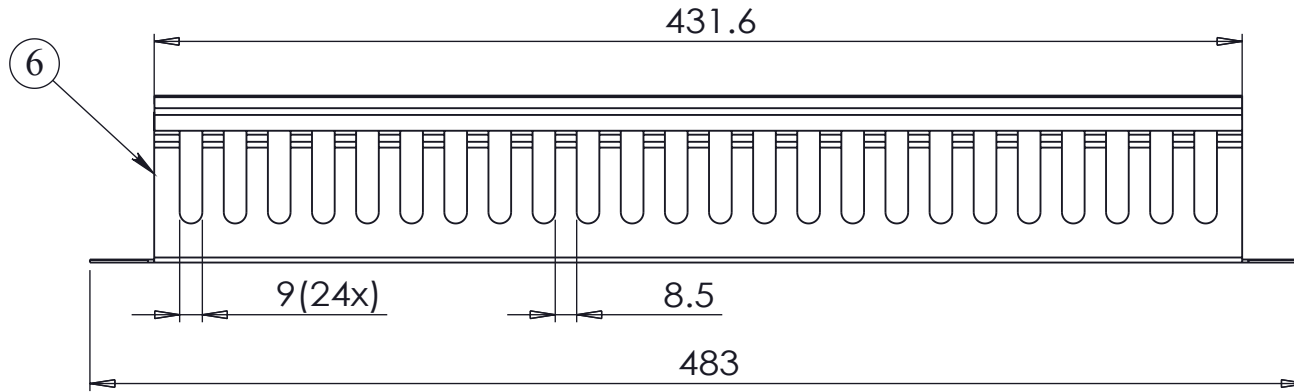
Tấm bịt trước 1U



ANH MINH TECHNOLOGY COMPANY LIMITED-AMTEC CO.,LTD
 17/3, Binh Quoi A, Binh Chuan, Thuan An, Binh Duong, Viet Nam
 Tel: (84-650) 3612177 Fax: (84-650) 3612178
 Email: info@amtec.com.vn Web: www.amtec.com.vn

Customer:	-	Drawing title:	AMTEC Royal-DC® DATACENTER Cabinet 36U 600 x 1170		Part No:	AM-DC36-6117					
Design by:	HUỲNH HỮU AN	Date:	02/10/2023	Checked by:	LÊ HOÀNG TUẤN	Date:	02/10/2023	Material:	Scale: 1:2	Sheet No:	
Drawn by:	HUỲNH HỮU AN	Date:	02/10/2023	Approved by:	PHAN QUANG ĐỨC	Date:	02/10/2023				Qty/Job:
File name:	-			Drawing No:	9						

Quản lí cáp ngang

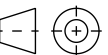


ANH MINH TECHNOLOGY COMPANY LIMITED-AMTEC CO.,LTD
 17/3, Binh Quoi A, Binh Chuan, Thuan An, Binh Duong, Viet Nam
 Tel: (84-650) 3612177 Fax: (84-650) 3612178
 Email: info@amtec.com.vn Web: www.amtec.com.vn

Customer: -
Design by: HUỖNH HỮU AN **Date:** 02/10/2023
Drawn by: HUỖNH HỮU AN **Date:** 02/10/2023
File name: -

Drawing title:
 AMTEC Royal-DC® DATACENTER
 Cabinet 36U 600 x 1170
Checked by: LÊ HOÀNG TUẤN **Date:** 02/10/2023
Approved by: PHAN QUANG ĐỨC **Date:** 02/10/2023

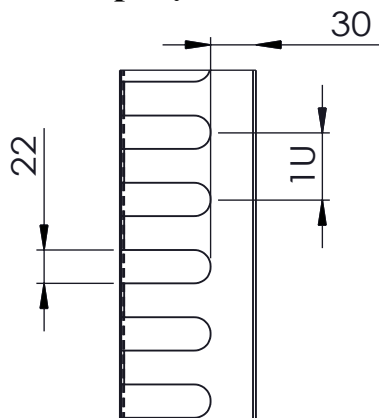
Part No: AM-DC36-6117
Material: -
Qty/Job: -
Drawing No: 10



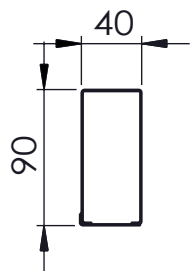
Sheet No:
 11

Scale: 1:3
Unit: mm

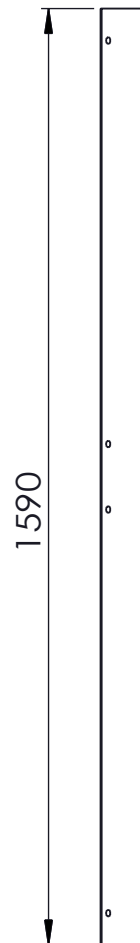
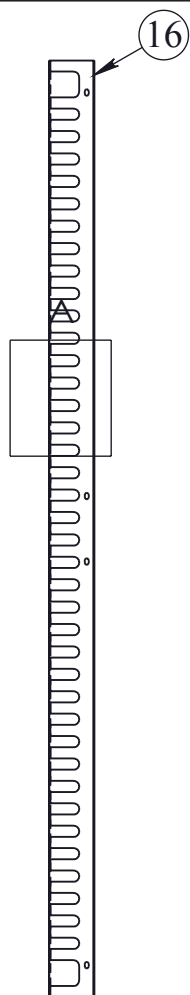
Quản lý cáp dọc



DETAIL A
SCALE 1 : 5



DETAIL B
SCALE 1 : 5



Yêu cầu kỹ thuật:

- Thép cán nguội SPCC theo tiêu chuẩn JIS.
- Xử lý sạch bề mặt trước khi sơn.
- Sơn tĩnh điện nhẵn bóng, cùng màu sơn với tủ rack.
- Đường cắt các lỗ đi cáp không có bavia.



ANH MINH TECHNOLOGY COMPANY LIMITED-AMTEC CO.,LTD
17/3, Binh Quoi A, Binh Chuan, Thuan An, Binh Duong, Viet Nam
Tel: (84-650) 3612177 Fax: (84-650) 3612178
Email: info@amtec.com.vn Web: www.amtec.com.vn

Customer:

-

Drawing title:

AMTEC Royal-DC® DATACENTER
Cabinet 36U 600 x 1170

Part No:

AM-DC36-6117

Design by: HUỖNH HỮU AN

Date: 02/10/2023

Checked by: LÊ HOÀNG TUẤN

Date: 02/10/2023

Material:

Scale: 1:12

Sheet No:

Drawn by: HUỖNH HỮU AN

Date: 02/10/2023

Approved by: PHAN QUANG ĐỨC

Date: 02/10/2023

Qty/Job:

-

Unit: mm

11

File name:

-

Drawing No:

11

