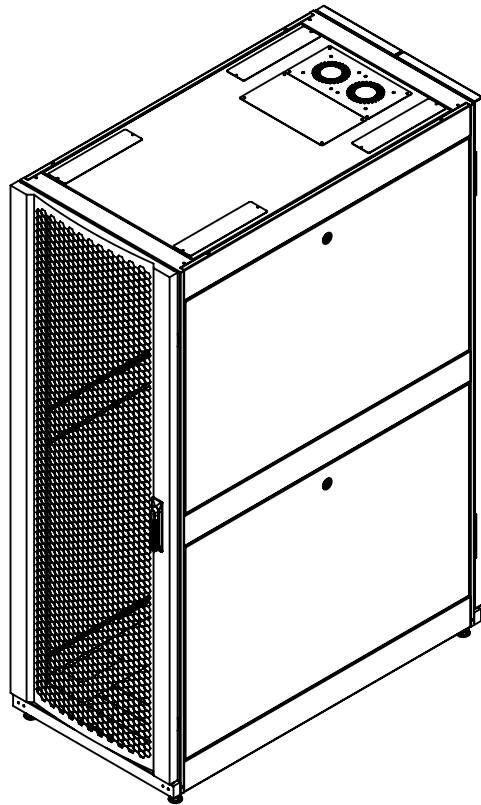
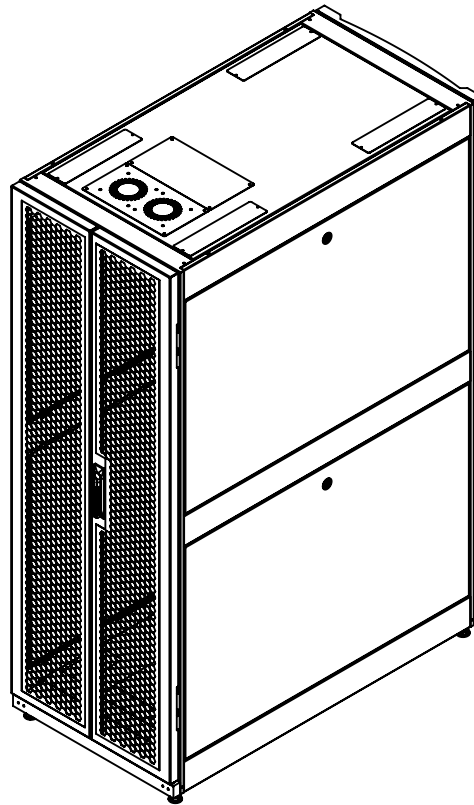


FRONT&RIGHT VIEW



REAR&LEFT VIEW



Specifications

1	Standard	- ISO 9001:2015 - ISO 14001:2015 - CE, EN/IEC 62368-1, RoHS - ANSI/EIA 310-D, phần A - DIN 41494 - BS5954 phần 2 - IEC 60297-1, IEC 60297-2 - IP20
2	Material	- Posso/JSVC Steel - SPCC/SD
3	Load capacity	. On 4 Casters 1200 kg. . On 4 Leveling feets 2000kg.
4	Color	Black
5	Air flow	Hexagon Perforated door >80%



ANH MINH TECHNOLOGY COMPANY LIMITED-AMTEC CO.,LTD
17/3, Binh Quoi A, Binh Chuan, Thuan An, Binh Duong, Viet Nam
Tel: (84-650) 3612177 Fax: (84-650) 3612178
Email: info@amtec.com.vn Web: www.amtec.com.vn

Customer:

Drawing title:

Part No:

Design by: HUỖNH HỮU AN

Date:

Checked by: LÊ HOÀNG TUẤN

Date:

Material: SPCC t=1.0 to 2.0

Scale: 1:20

Sheet No:

Drawn by: HUỖNH HỮU AN

Date:

Approved by: PHAN QUANG ĐỨC

Date:

Qty/Job:

-

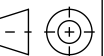
Unit: mm

7

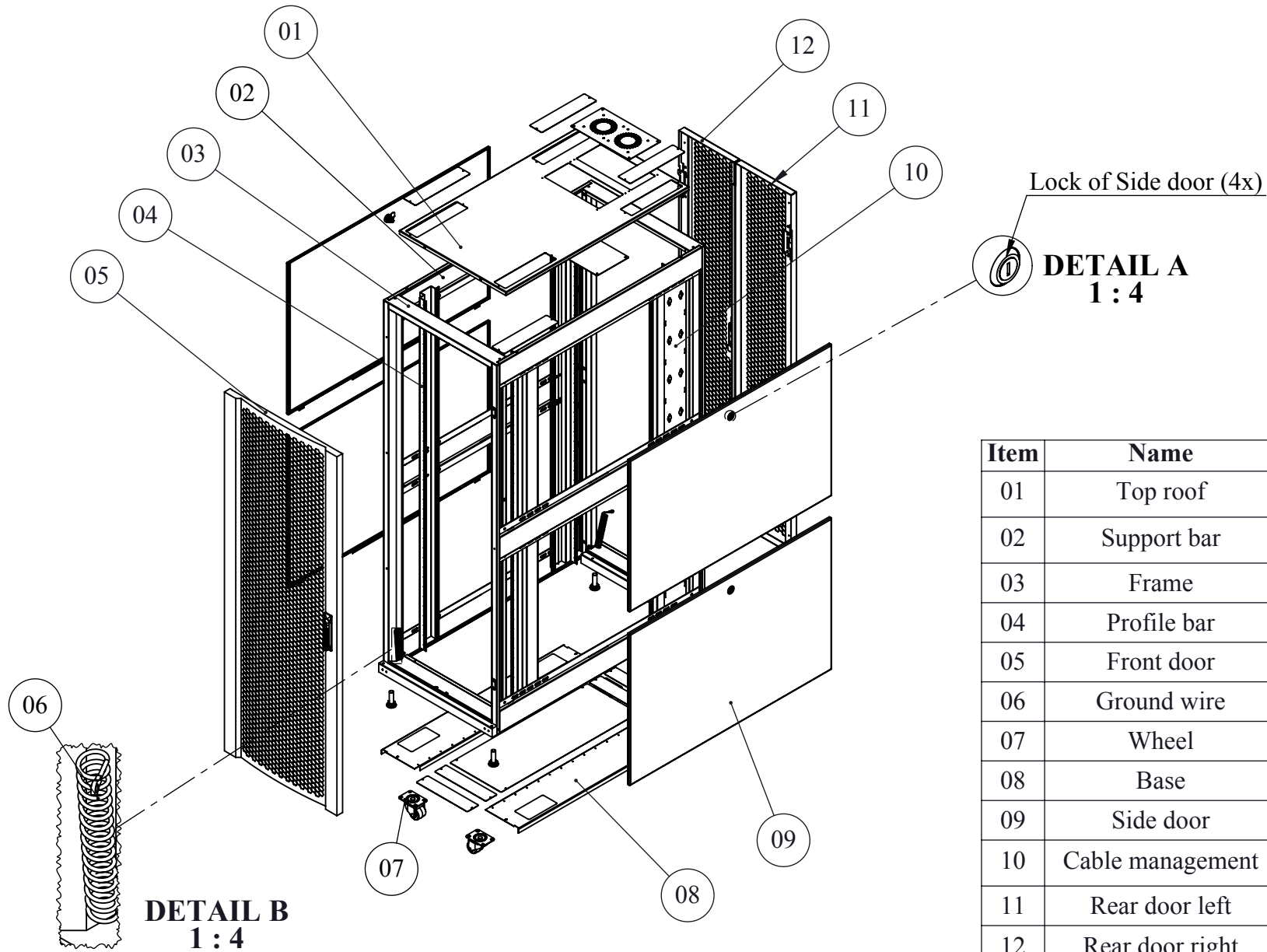
File name:

Drawing No:

1



EXPLODE VIEW



Item	Name	Q'Ty	Thick	Description
01	Top roof	1	1.2	
02	Support bar	6	2.0	
03	Frame	2	2.0	
04	Profile bar	4	2.0	
05	Front door	1	1.2	>80% Perforated
06	Ground wire	3		
07	Wheel	4		Phi 50 x74H
08	Base	2	1.5	
09	Side door	4	1.0	
10	Cable management	2	1.0	Up to 4 PDU
11	Rear door left	1	1.2	>80% Perforated
12	Rear door right	1	1.2	>80% Perforated

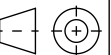


ANH MINH TECHNOLOGY COMPANY LIMITED-AMTEC CO.,LTD
 17/3, Binh Quoi A, Binh Chuan, Thuan An, Binh Duong, Viet Nam
 Tel: (84-650) 3612177 Fax: (84-650) 3612178
 Email: info@amtec.com.vn Web: www.amtec.com.vn

Customer: -
 Design by: **HUỖNH HỮU AN** Date: -
 Drawn by: **HUỖNH HỮU AN** Date: -
 File name: -

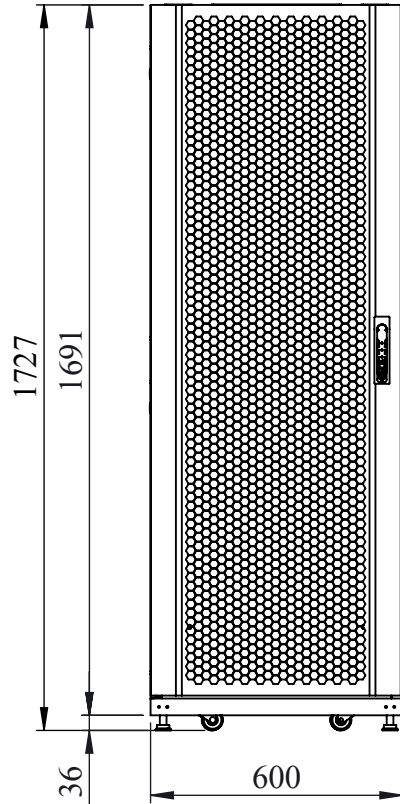
Drawing title:
AMTEC Royal-DC® DATACENTER CABINET
 36U 600x1100
 Checked by: **LÊ HOÀNG TUẤN** Date: -
 Approved by: **PHAN QUANG ĐỨC** Date: -

Part No:
AM-DC36-6110
 Material: **SPCC t=1.0 to 2.0** Scale: **1:22**
 Qty/Job: - Unit: **mm**
 Drawing No: **2**

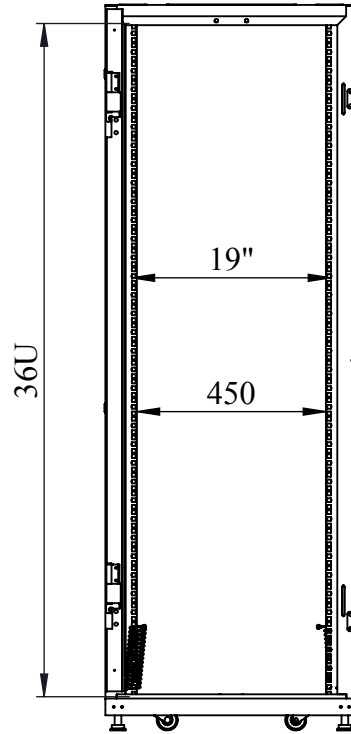


Sheet No:
7

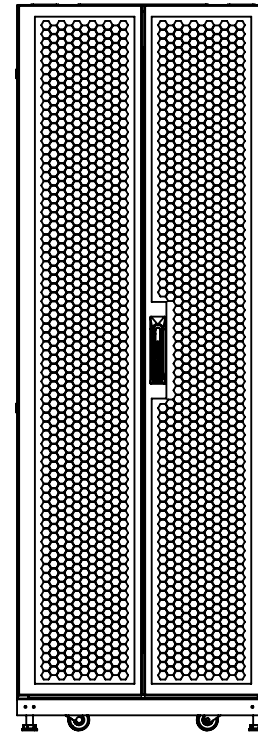
FRONT VIEW



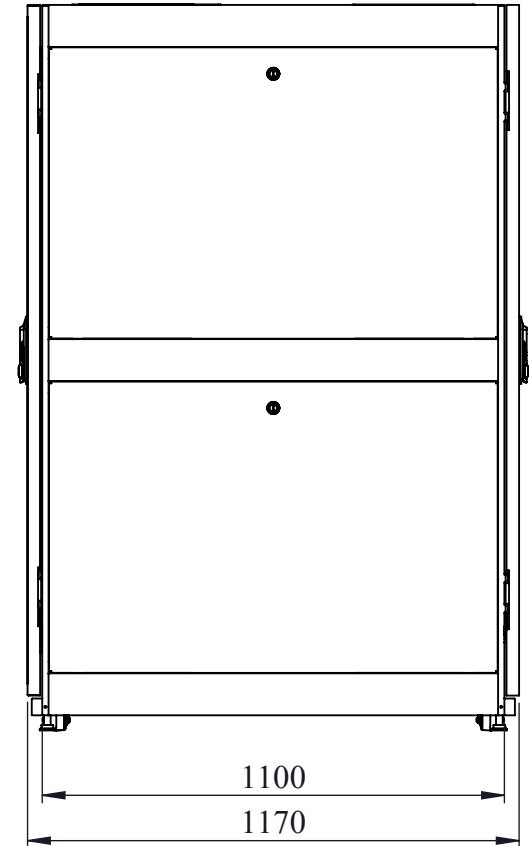
**FRONT VIEW
(REMOVED DOOR)**



REAR VIEW



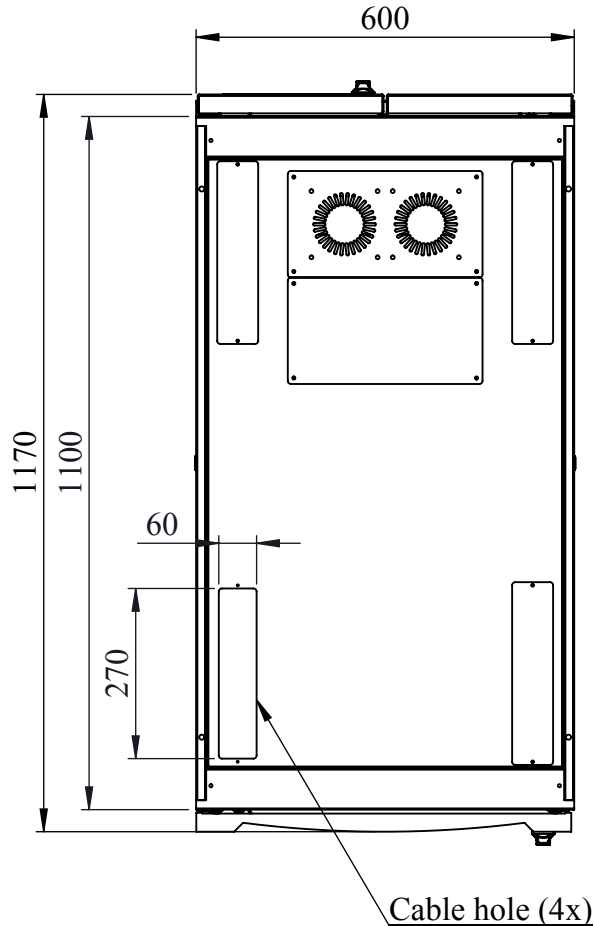
SIDE VIEW



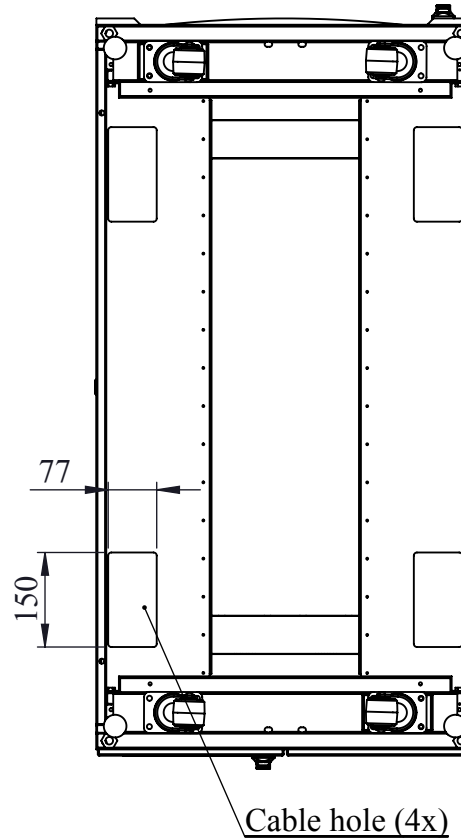
ANH MINH TECHNOLOGY COMPANY LIMITED-AMTEC CO.,LTD
 17/3, Binh Quoi A, Binh Chuan, Thuan An, Binh Duong, Viet Nam
 Tel: (84-650) 3612177 Fax: (84-650) 3612178
 Email: info@amtec.com.vn Web: www.amtec.com.vn

Customer:	-	Drawing title:	AMTEC Royal-DC® DATACENTER CABINET 36U 600x1100		Part No:	AM-DC36-6110	
Design by: HUỖNH HỮU AN	Date:	Checked by: LÊ HOÀNG TUẤN	Date:	Material: SPCC t=1.0 to 2.0	Scale: 1:18	Sheet No:	
Drawn by: HUỖNH HỮU AN	Date:	Approved by: PHAN QUANG ĐỨC	Date:	Qty/Job: -	Unit: mm	7	
File name:	-	Drawing No:	3				

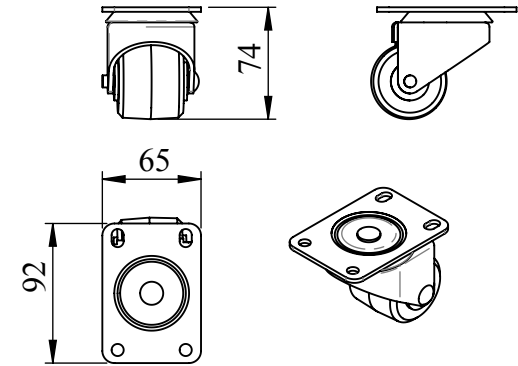
TOP VIEW



BOTTOM VIEW

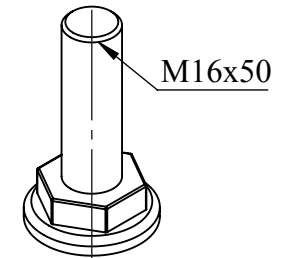


Caster



Max load 1200kg

Level feet



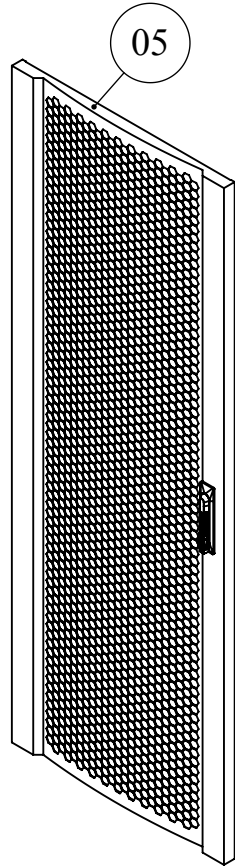
Max load 2000kg



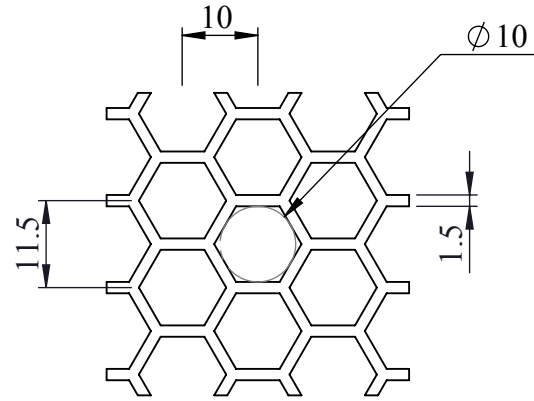
ANH MINH TECHNOLOGY COMPANY LIMITED-AMTEC CO.,LTD
 17/3, Binh Quoi A, Binh Chuan, Thuan An, Binh Duong, Viet Nam
 Tel: (84-650) 3612177 Fax: (84-650) 3612178
 Email: info@amtec.com.vn Web: www.amtec.com.vn

Customer:	-	Drawing title:	AMTEC Royal-DC® DATACENTER CABINET 36U 600x1100	Part No:	AM-DC36-6110	 Sheet No: 7				
Design by:	HUỖNH HỮU AN	Date:		Checked by:	LÊ HOÀNG TUẤN		Material:	SPCC t=1.0 to 2.0	Scale:	1:12
Drawn by:	HUỖNH HỮU AN	Date:		Approved by:	PHAN QUANG ĐỨC		Qty/Job:	-	Unit:	mm
File name:	-			Drawing No:	4					

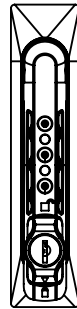
FRONT DOOR



DETAIL ITEM:

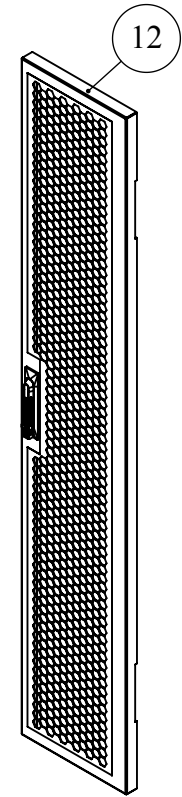
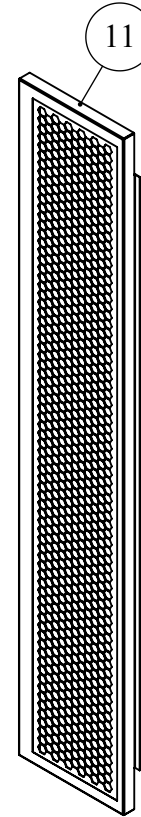


DETAIL A: HEXAGON
>80% PERFORATED DOOR



SWINGHANDLE KEY
AND NUMBER LOCK

REAR DOOR

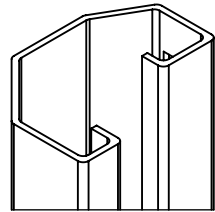
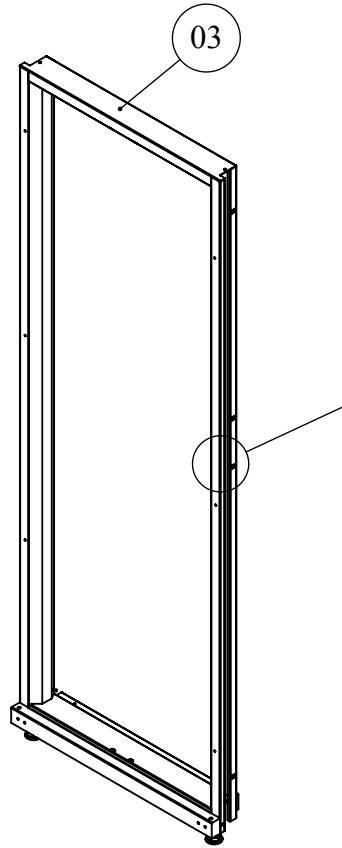


ANH MINH TECHNOLOGY COMPANY LIMITED-AMTEC CO.,LTD
17/3, Binh Quoi A, Binh Chuan, Thuan An, Binh Duong, Viet Nam
Tel: (84-650) 3612177 Fax: (84-650) 3612178
Email: info@amtec.com.vn Web: www.amtec.com.vn

Customer:	-	Drawing title:	AMTEC Royal-DC® DATACENTER CABINET 36U 600x1100		Part No:	AM-DC36-6110	
Design by: HUỖNH HỮU AN	Date:	Checked by: LÊ HOÀNG TUẤN	Date:	Material: SPCC t=1.0 to 2.0	Scale: 1:15	Sheet No:	
Drawn by: HUỖNH HỮU AN	Date:	Approved by: PHAN QUANG ĐỨC	Date:	Qty/Job: -	Unit: mm	7	
File name:	-	Drawing No:	5				

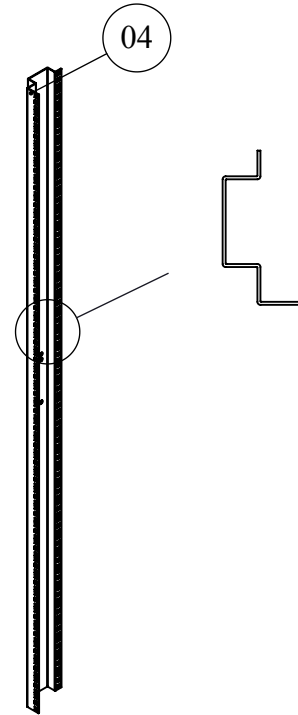
DETAIL ITEM:

FRAME

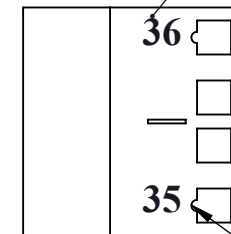


XTRUK 9 SIDES
MAX LOAD 2000kg

PROFILE BAR



U-HIGH
NUMBERING



KEY ID

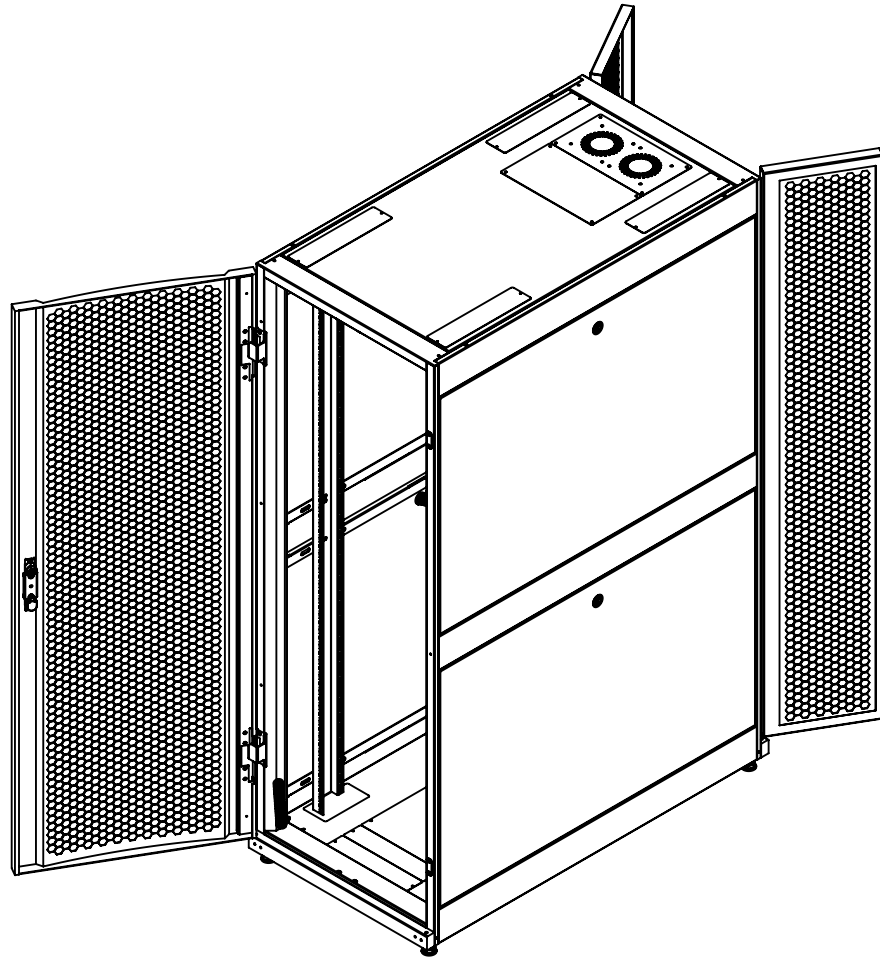
MOUNTING PROFILE



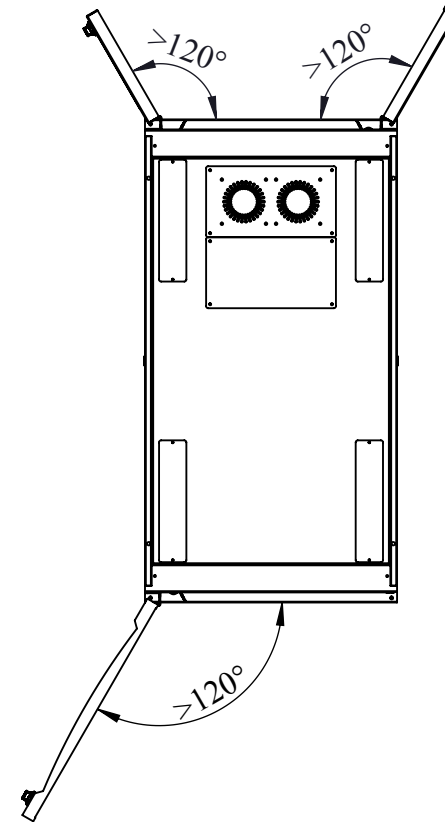
ANH MINH TECHNOLOGY COMPANY LIMITED-AMTEC CO.,LTD
17/3, Binh Quoi A, Binh Chuan, Thuan An, Binh Duong, Viet Nam
Tel: (84-650) 3612177 Fax: (84-650) 3612178
Email: info@amtec.com.vn Web: www.amtec.com.vn

Customer:	-	Drawing title:	AMTEC Royal-DC® DATACENTER CABINET 36U 600x1100	Part No:	AM-DC36-6110									
Design by:	HUỖNH HỮU AN	Date:		Checked by:	LÊ HOÀNG TUẤN		Date:		Material:	SPCC t=1.0 to 2.0	Scale:	1:16	Sheet No:	7
Drawn by:	HUỖNH HỮU AN	Date:		Approved by:	PHAN QUANG ĐỨC		Date:		Qty/Job:	-	Unit:	mm		
File name:	-			Drawing No:	6									

ISOMETRIC VIEW



TOP VIEW



ANH MINH TECHNOLOGY COMPANY LIMITED-AMTEC CO.,LTD
 17/3, Binh Quoi A, Binh Chuan, Thuan An, Binh Duong, Viet Nam
 Tel: (84-650) 3612177 Fax: (84-650) 3612178
 Email: info@amtec.com.vn Web: www.amtec.com.vn

Customer:	-	Drawing title:	AMTEC Royal-DC® DATACENTER CABINET 36U 600x1100		Part No:	AM-DC36-6110		
Design by: HUỖNH HỮU AN	Date:	Checked by: LÊ HOÀNG TUẤN	Date:	Material: SPCC t=1.0 to 2.0	Scale: 1:18	Sheet No: 7		
Drawn by: HUỖNH HỮU AN	Date:	Approved by: PHAN QUANG ĐỨC	Date:	Qty/Job: -	Unit: mm			
File name:	-	Drawing No:		7				