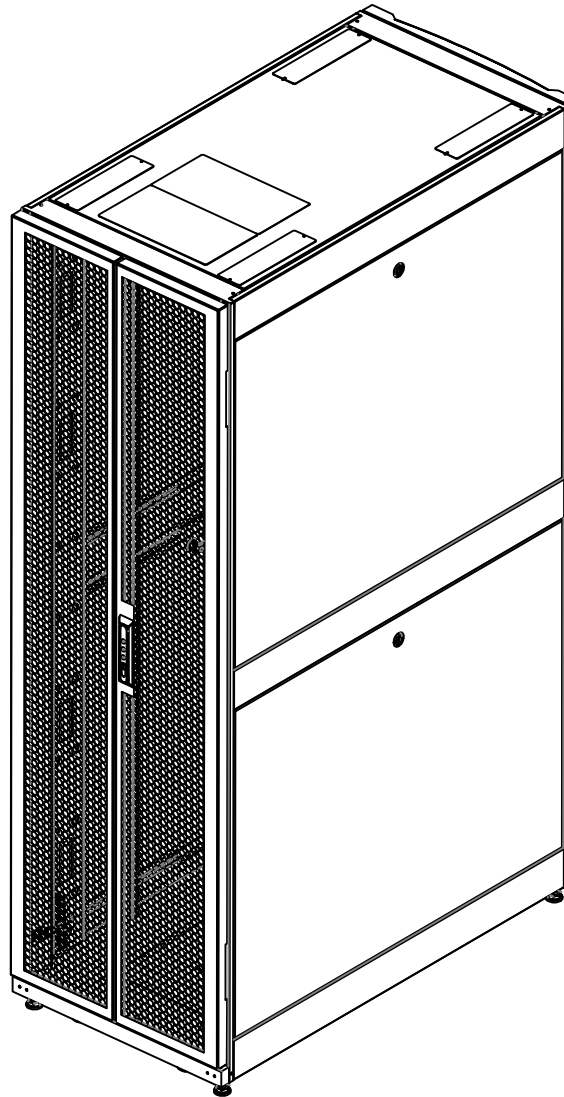
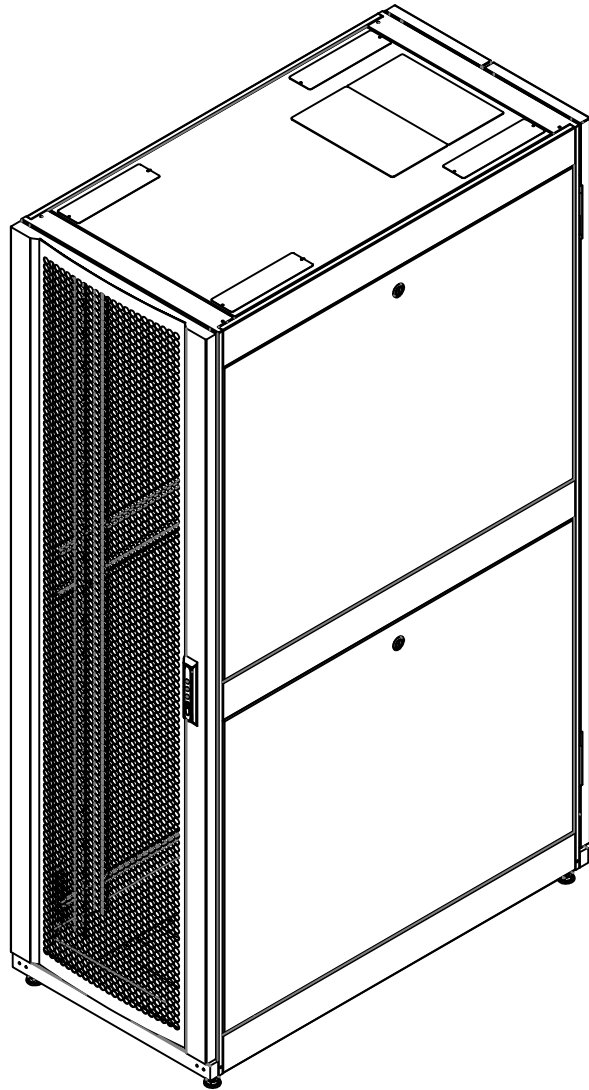


FRONT&RIGHT VIEW

REAR&LEFT VIEW

①



Thông số kỹ thuật:

1	Các tiêu chuẩn	<ul style="list-style-type: none"> . ANSI/EIA 310-D, phần A . DIN 41494. . BS 5954 phần 2. . IEC 60297-1, IEC 60297-2 . RoHS. . IP20.
2	Độ dày thép	<ul style="list-style-type: none"> . Khung 2mm. . Thanh treo thiết bị 2mm. . Cửa trước và sau 1.2mm. . Cửa hông 1mm. . Đế che 1.5mm . Thanh bắt nguồn/Quản lý cáp 1mm. . Thanh nối khung trước&sau 2mm.
3	Tải trọng	<ul style="list-style-type: none"> . Trên các bánh xe 1000 kg. . Trên các chân đế 1500 kg. . Tải trọng trên nóc 80 kg. . Tải trọng trên đế 80 kg.
4	Màu sơn	Sơn tĩnh điện màu đen
5	Độ thông thoáng	Cửa lưới lọc góc trước&sau thông thoáng >80%

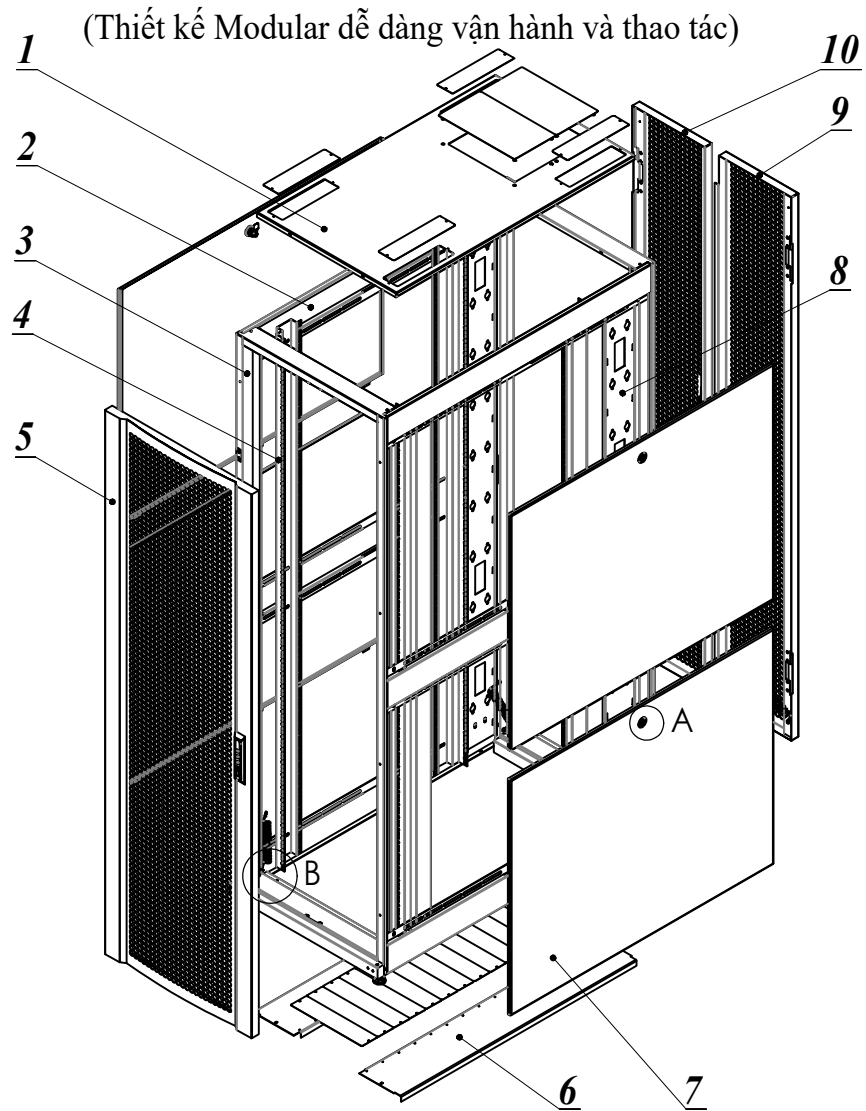


ANH MINH TECHNOLOGY COMPANY LIMITED-AMTEC CO.,LTD
 17/3, Binh Quoi A, Binh Chuan, Thuan An, Binh Duong, Viet Nam
 Tel: (84-274) 3612177 Fax: (84-274) 3612178
 Email: info@amtec.com.vn Web: www.amtec.com.vn

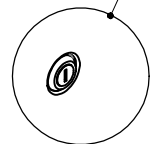
Customer:		Drawing title:		AMDC48-6120									
ANH MINH TECHNOLOGY COMPANY LIMITED-AMTEC CO.,LTD		AMTEC ROYAL-DC DATACENTER CABINET		48U 600x1200									
Design by:	Nguyễn Xuân Hùng	Date:	06-03-2019	Checked by:	Lê Hoàng Tuấn	Date:	06-03-2019	Material:	SPCC	$\epsilon = 1$ to 2	Scale:	1:20	Sheet No: 07
Drawn by:	Nguyễn Xuân Hùng	Date:	06-03-2019	Approved by:	Phan Quang Đức	Date:	06-03-2019	Qty/Job:	-		Unit:	mm	
File name:				-				Drawing No:		01			

EXPLODE VIEW

②

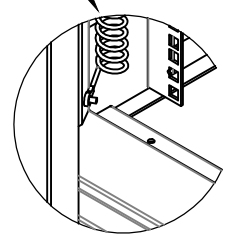


Khóa cửa hông
(4 cánh dùng chung chìa)



DETAIL A
SCALE 1 : 5

Vị trí tiếp địa
(1 Vị trí cửa trước,
2 vị trí cửa sau)



DETAIL B
SCALE 1 : 5

10	Rear door right	1	1.2	>80% perforated
9	Rear door left	1	1.2	>80% perforated
8	Cable management	2	1.0	Up to 4 PDU
7	Side door	4	1.0	
6	Base	2	1.5	
5	Front door	1	1.2	>80% perforated
4	Profile bar	4	2.0	
3	Frame	4	2.0	
2	Support bar	6	2.0	
1	Top roof	1	1.2	
Item	Name	Q'TY	Thick	Description

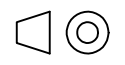


ANH MINH TECHNOLOGY COMPANY LIMITED-AMTEC CO.,LTD
17/3, Binh Quoi A, Binh Chuan, Thuan An, Binh Duong, Viet Nam
Tel: (84-274) 3612177 Fax: (84-274) 3612178
Email: info@amtec.com.vn Web: www.amtec.com.vn

Customer:

Drawing title:
AMTEC ROYAL-DC DATACENTER CABINET
48U 600x1200

Part No:
AMDC48-6120



Design by: Nguyễn Xuân Hùng Date: 06-03-2019

Checked by: Lê Hoàng Tuấn Date: 06-03-2019

Material: SPCC t= 1 to 2 Scale: 1:20

Sheet No:

Drawn by: Nguyễn Xuân Hùng Date: 06-03-2019

Approved by: Phan Quang Đức Date: 06-03-2019

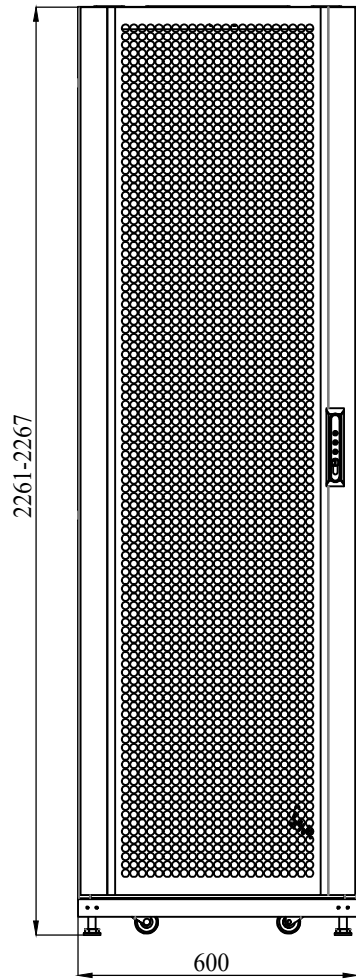
Qty/Job: - Unit: mm

07

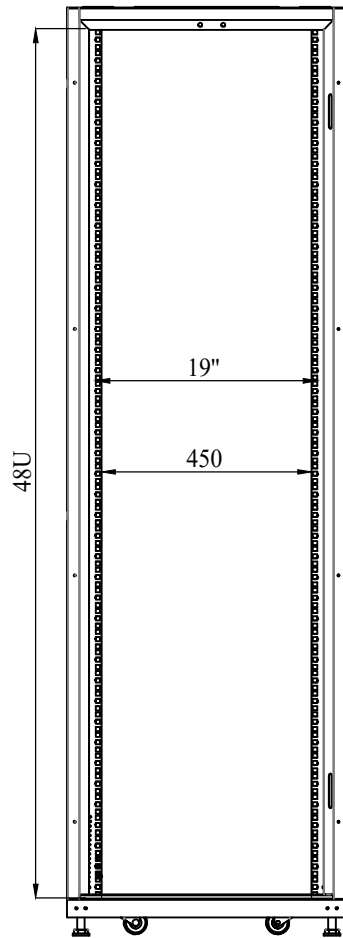
File name: -

Drawing No: 02

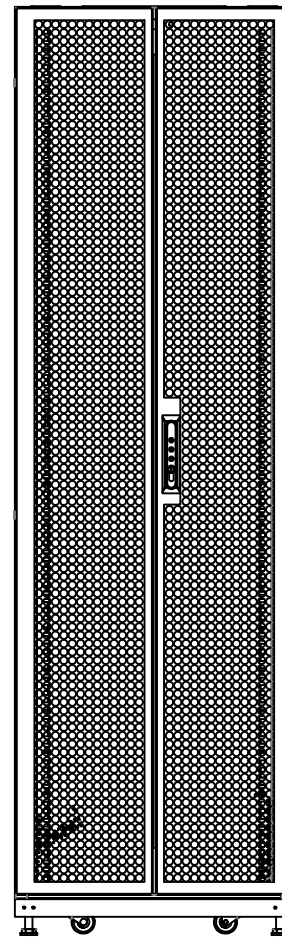
FRONT VIEW



**FRONT VIEW
(REMOVED DOOR)**

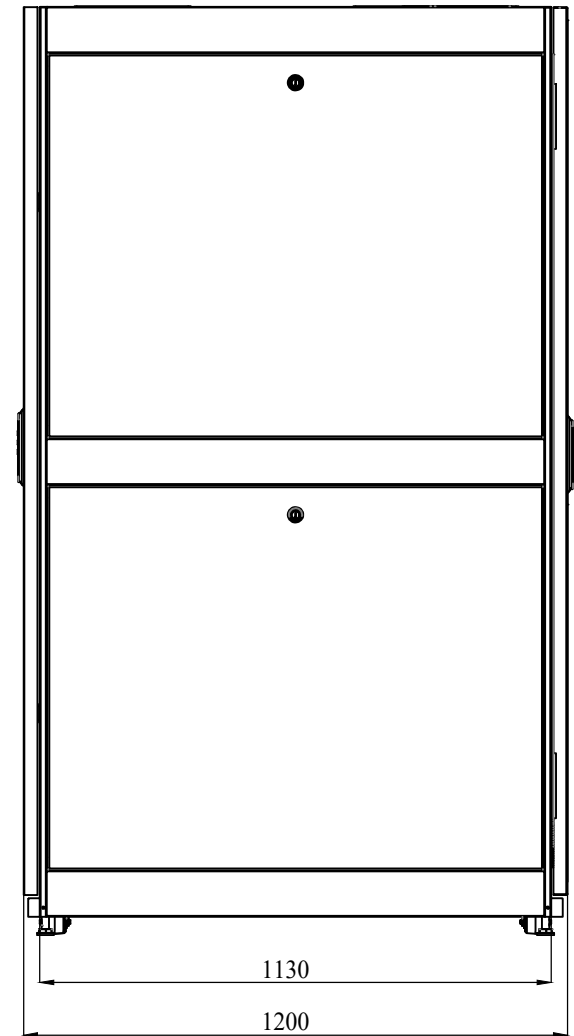


REAR VIEW



SIDE VIEW

③



ANH MINH TECHNOLOGY COMPANY LIMITED-AMTEC CO.,LTD
 17/3, Binh Quoi A, Binh Chuan, Thuan An, Binh Duong, Viet Nam
 Tel: (84-274) 3612177 Fax: (84-274) 3612178
 Email: info@amtec.com.vn Web: www.amtec.com.vn

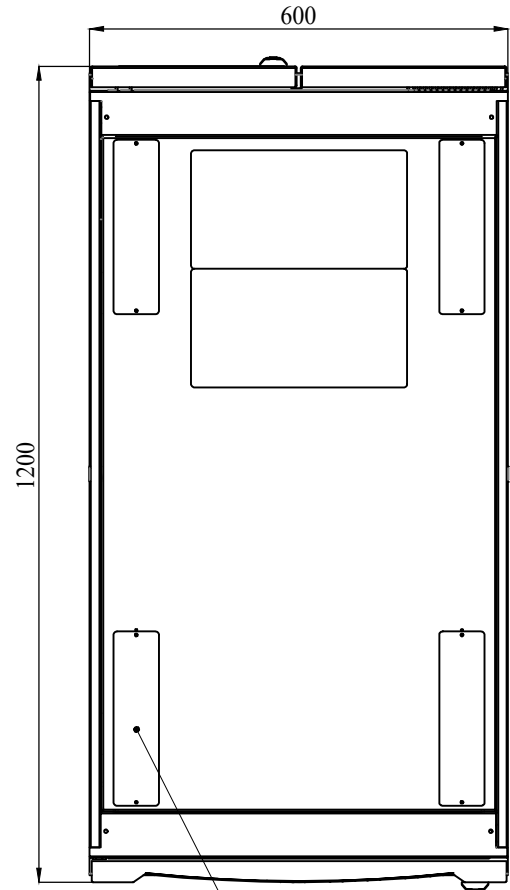
Customer:	
Design by: Nguyễn Xuân Hùng	Date: 06-03-2019
Drawn by: Nguyễn Xuân Hùng	Date: 06-03-2019
File name:	

Drawing title:	
AMTEC ROYAL-DC DATACENTER CABINET 48U 600x1200	
Checked by: Lê Hoàng Tuấn	Date: 06-03-2019
Approved by: Phan Quang Đức	Date: 06-03-2019
File name:	

Part No:	
AMDC48-6120	
Material: SPCC t=1.0 2	Scale: 1:15
Qty/Job: -	Unit: mm
Drawing No: 03	

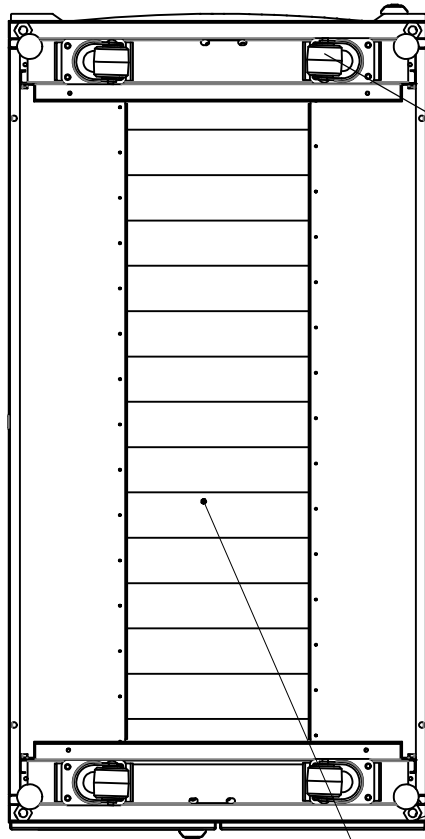
Sheet No:	
07	

TOP VIEW

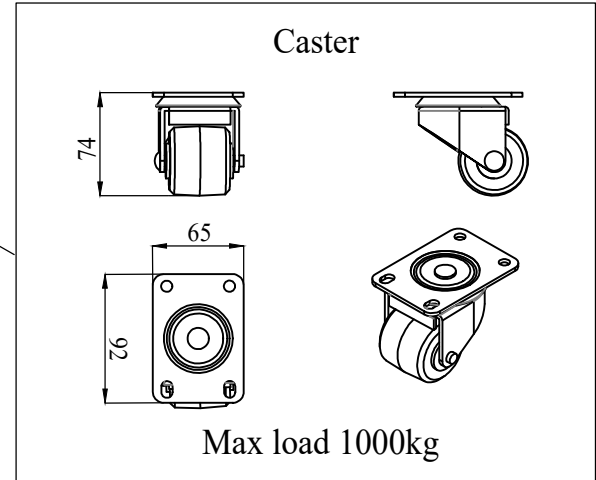


Cable hole 60x240 (4x)

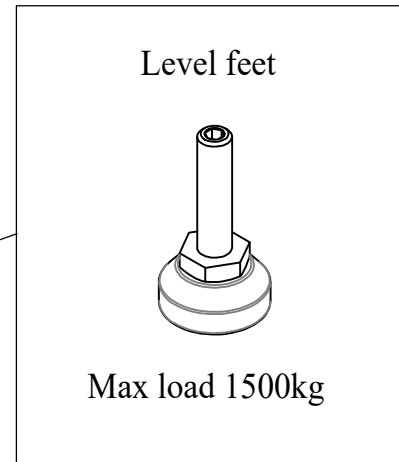
BOTTOM VIEW



Base Cover 65x270



Max load 1000kg



Max load 1500kg



ANH MINH TECHNOLOGY COMPANY LIMITED-AMTEC CO.,LTD
 17/3, Binh Quoi A, Binh Chuan, Thuan An, Binh Duong, Viet Nam
 Tel: (84-274) 3612177 Fax: (84-274) 3612178
 Email: info@amtec.com.vn Web: www.amtec.com.vn

Customer:

Design by: Nguyễn Xuân Hùng **Date:** 06-03-2019
Drawn by: Nguyễn Xuân Hùng **Date:** 06-03-2019
File name: -

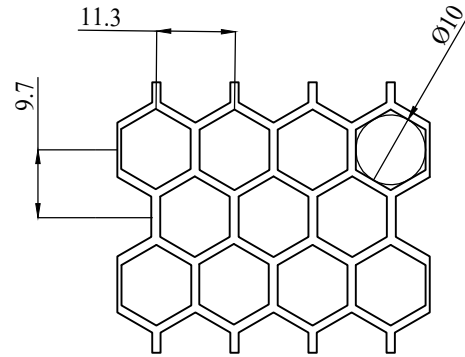
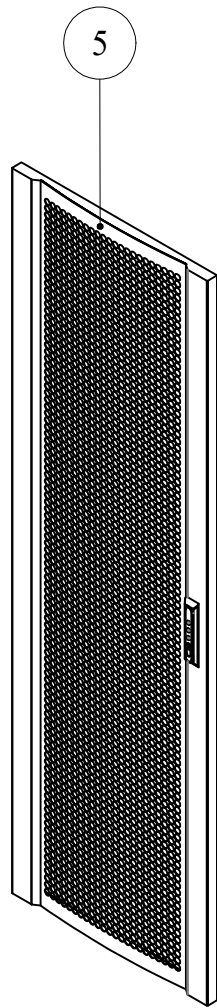
Drawing title:
 AMTEC ROYAL-DC DATACENTER CABINET
 48U 600x1200
Checked by: Lê Hoàng Tuấn **Date:** 06-03-2019
Approved by: Phan Quang Đức **Date:** 06-03-2019

Part No: AMDC48-6120
Material: SPCC t=1 to 2
Scale: 1:10
Qty/Job: -
Unit: mm
Drawing No: 04

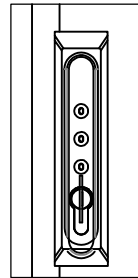
Sheet No: 07

DETAIL ITEM: 5-9-10

5

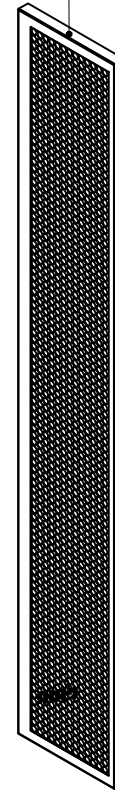


>80% HEXAGON PERFORATED DOOR

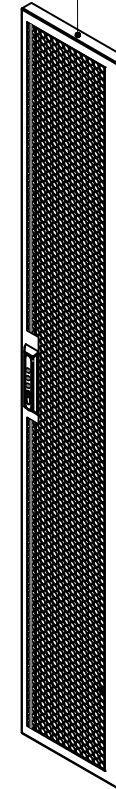


SWINGHANDLE KEY

9



10



ANH MINH TECHNOLOGY COMPANY LIMITED-AMTEC CO.,LTD
 17/3, Binh Quoi A, Binh Chuan, Thuan An, Binh Duong, Viet Nam
 Tel: (84-274) 3612177 Fax: (84-274) 3612178
 Email: info@amtec.com.vn Web: www.amtec.com.vn

Customer:

Drawing title:
 AMTEC ROYAL-DC DATACENTER CABINET
 48U 600x1200

Part No:
 AMDC48-6120



Design by: Nguyễn Xuân Hùng Date: 06-03-2019

Checked by: Lê Hoàng Tuấn Date: 06-03-2019

Material: SPCC t=1 to 2

Scale: 1:15

Sheet No:

Drawn by: Nguyễn Xuân Hùng Date: 06-03-2019

Approved by: Phan Quang Đức Date: 06-03-2019

Qty/Job: -

Unit: mm

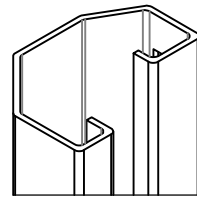
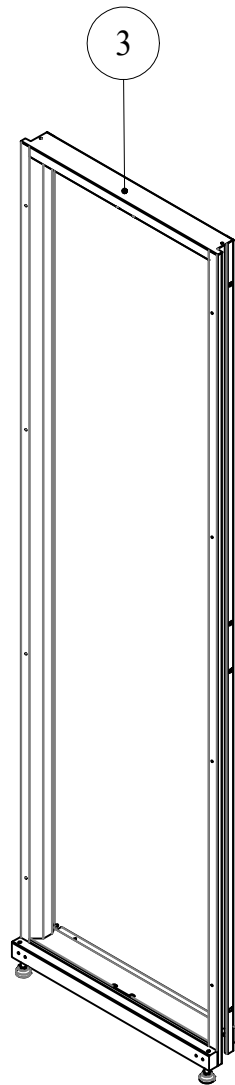
07

File name: -

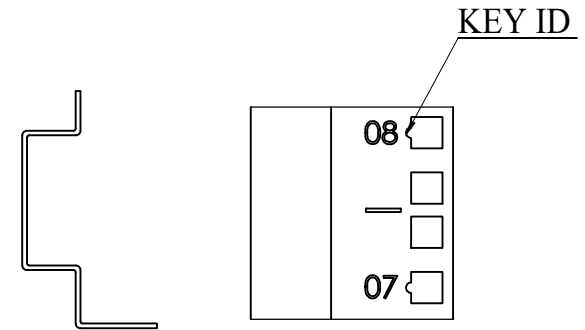
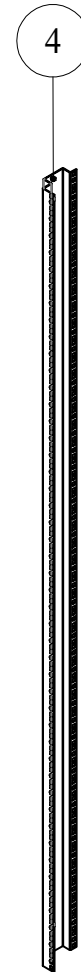
Drawing No: 05

DETAIL ITEM: 3-4

6



XTRUK 9 SIDES
MAX LOAD 1500kg



MOUNTING PROFILE
WITH KEY ID&U-HIGH
NUMBERING

Thanh bắt thiết bị 6 cạnh vững chắc
và được đánh số rõ ràng từng U từ thấp đến cao



ANH MINH TECHNOLOGY COMPANY LIMITED-AMTEC CO.,LTD
17/3, Binh Quoi A, Binh Chuan, Thuan An, Binh Duong, Viet Nam
Tel: (84-274) 3612177 Fax: (84-274) 3612178
Email: info@amtec.com.vn Web: www.amtec.com.vn

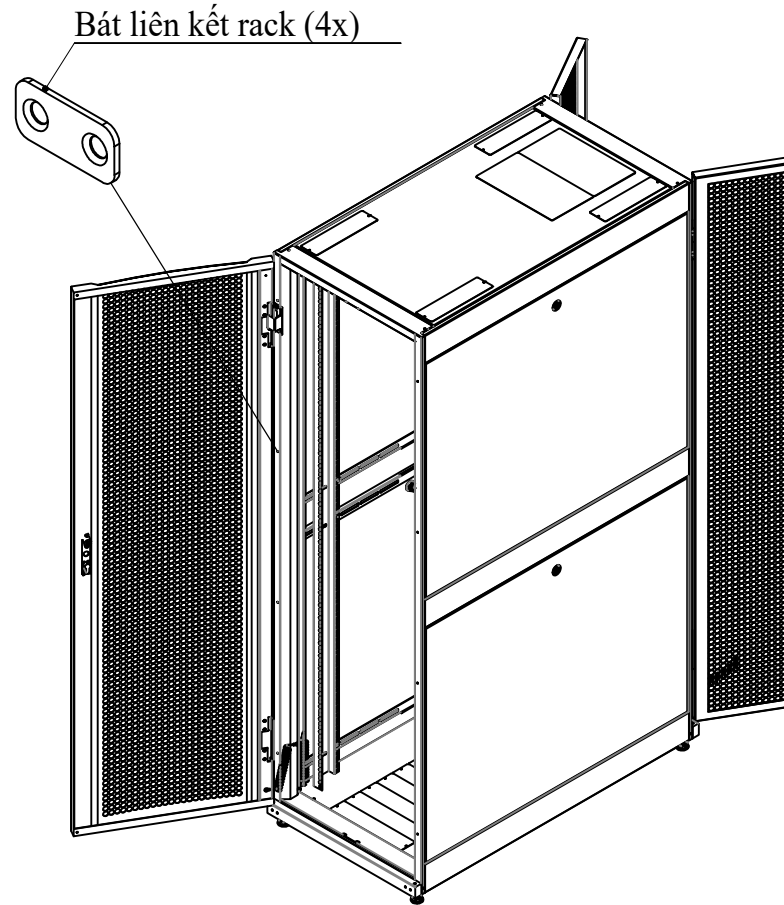
Customer:		Drawing title: AMTEC ROYAL-DC DATACENTER CABINET 48U 600x1200		Part No: AMDC48-6120	
Design by: Nguyễn Xuân Hùng	Date: 06-03-2019	Checked by: Lê Hoàng Tuấn	Date: 06-03-2019	Material: SPCC t=1 to 2	Scale: 1:15
Drawn by: Nguyễn Xuân Hùng	Date: 06-03-2019	Approved by: Phan Quang Đức	Date: 06-03-2019	Qty/Job: -	Unit: mm
File name:				Drawing No: 06	



Sheet No:

07

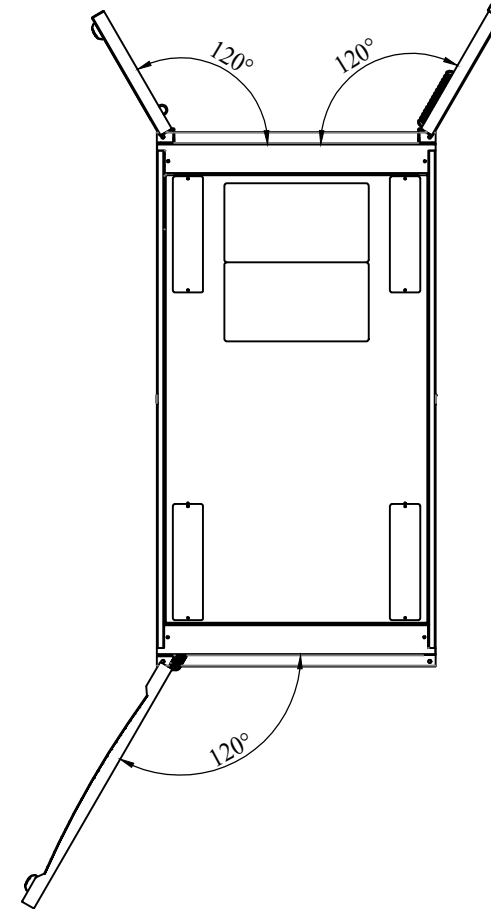
ISOMETRIC VIEW



TOP VIEW

7

Góc mở cửa trước và sau 120 độ




ANH MINH TECHNOLOGY COMPANY LIMITED-AMTEC CO.,LTD
 17/3, Binh Quoi A, Binh Chuan, Thuan An, Binh Duong, Viet Nam
 Tel: (84-274) 3612177 Fax: (84-274) 3612178
 Email: info@amtec.com.vn Web: www.amtec.com.vn

Customer:

Design by: Nguyễn Xuân Hùng **Date:** 06-03-2019
Drawn by: Nguyễn Xuân Hùng **Date:** 06-03-2019
File name: -

Drawing title:
 AMTEC ROYAL-DC DATACENTER CABINET
 48U 600x1200
Checked by: Lê Hoàng Tuấn **Date:** 06-03-2019
Approved by: Phan Quang Đức **Date:** 06-03-2019

Part No: AMDC48-6120
Material: SPCC t=1 to 2
Scale: 1:10
Qty/Job: -
Unit: mm
Drawing No: 07


Sheet No: 07