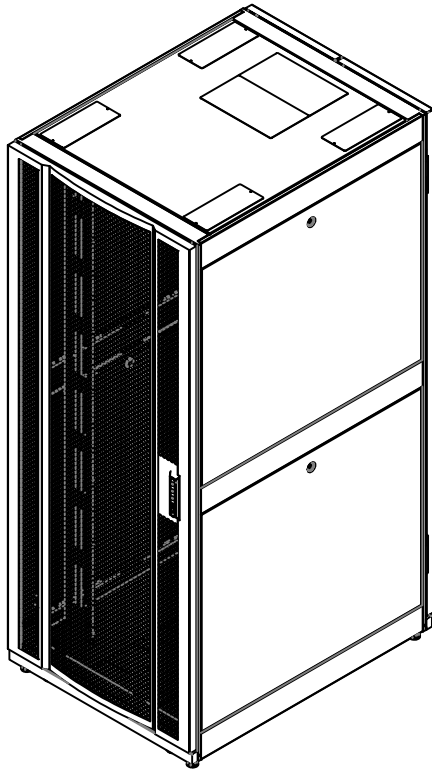
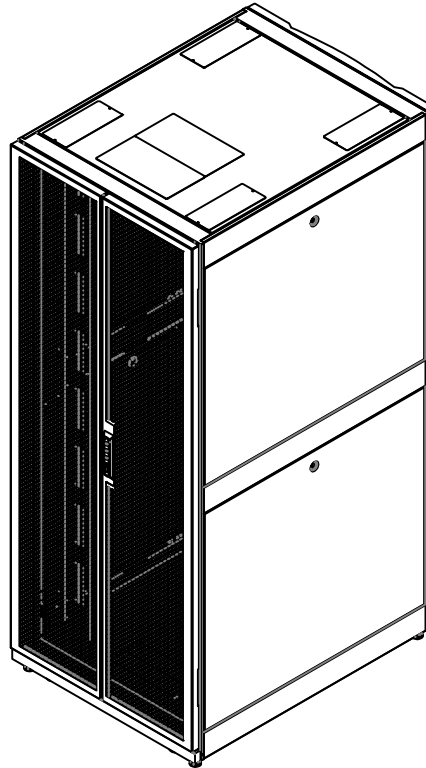


FRONT&RIGHT VIEW



REAR&LEFT VIEW



Thông số kỹ thuật:

1	Các tiêu chuẩn	<ul style="list-style-type: none"> ANSI/EIA 310-D, phần A DIN 41494. BS 5954 phần 2. IEC 60297-1, IEC 60297-2 RoHS. IP20.
2	Độ dày thép	<ul style="list-style-type: none"> Khung 2mm. Thanh treo thiết bị 2mm. Cửa trước và sau 1.2mm. Cửa hông 1mm. Đế che 1.5mm Thanh bắt nguồn/Quản lý cáp 1mm. Thanh nối khung trước&sau 2mm.
3	Tải trọng	<ul style="list-style-type: none"> Trên các bánh xe 1000 kg. Trên các chân đế 1500 kg. Tải trọng trên nóc 80 kg. Tải trọng trên đế 80 kg.
4	Màu sơn	Sơn tĩnh điện màu đen
5	Độ thông thoáng	Cửa lưới lọc gió trước&sau thông thoáng >80%



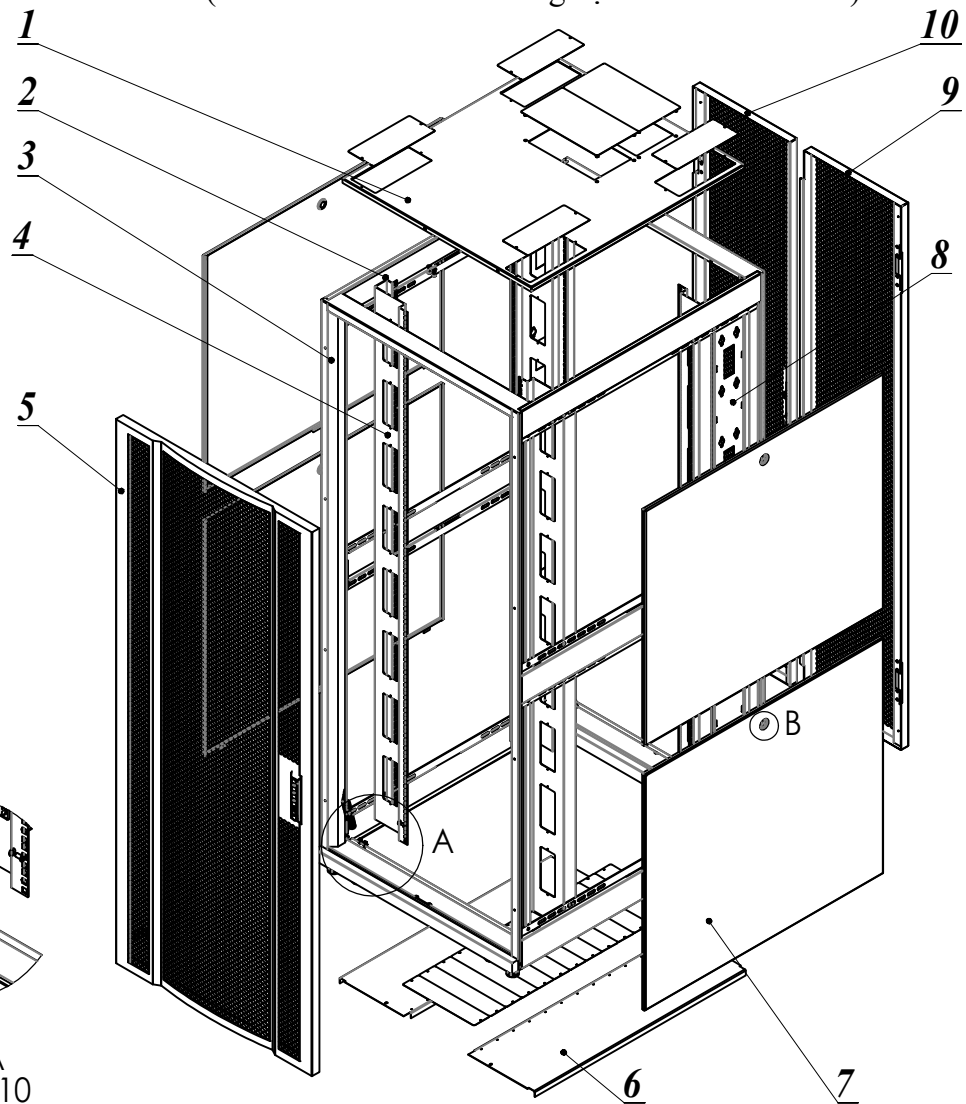
ANH MINH TECHNOLOGY COMPANY LIMITED-AMTEC CO.,LTD
 17/3, Binh Quoi A, Binh Chuan, Thuan An, Binh Duong, Viet Nam
 Tel: (84-274) 3612177 Fax: (84-274) 3612178
 Email: info@amtec.com.vn Web: www.amtec.com.vn

Customer:	-	Drawing title:	AMTEC ROYAL-DC DATACENTER CABINET 45U 800x1200		Part No:	AMDC45-8120							
Design by:	Nguyễn Xuân Hùng	Date:	06-03-2019	Checked by:	Lê Hoàng Tuấn	Date:	06-03-2019		Material:	SPPC \neq 1 to 2	Scale:	1:20	Sheet No:
Drawn by:	Nguyễn Xuân Hùng	Date:	06-03-2019	Approved by:	Phan Quang Đức	Date:	06-03-2019	Qty/Job:	-	Unit:	mm		
File name:					Drawing No:	01							

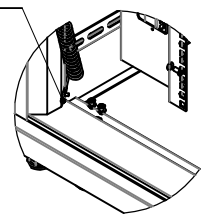
EXPLODE VIEW

(Thiết kế Modular dễ dàng vận hành và thao tác)

②

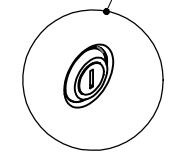


Vị trí tiếp địa
(2 Vị trí cửa trước,
2 vị trí cửa sau)



DETAIL A
SCALE 1 : 10

Khóa cửa hông
(4 cánh dùng chung chìa)



DETAIL B
SCALE 1 : 5

10	Rear door right	1	1.2	>80% perforated
9	Rear door left	1	1.2	>80% perforated
8	Cable management	2	1.0	Up to 4 PDU APC
7	Side door	4	1.0	
6	Base	2	1.5	
5	Front door	1	1.2	>80% perforated
4	Profile bar	4	2.0	
3	Frame	4	2.0	
2	Support bar	6	2.0	
1	Top roof	1	1.2	
Item	Name	Q'TY	Thick	Description

amtec
 ANH MINH TECHNOLOGY COMPANY LIMITED-AMTEC CO.,LTD
 17/3, Binh Quoi A, Binh Chuan, Thuan An, Binh Duong, Viet Nam
 Tel: (84-274) 3612177 Fax: (84-274) 3612178
 Email: info@amtec.com.vn Web: www.amtec.com.vn

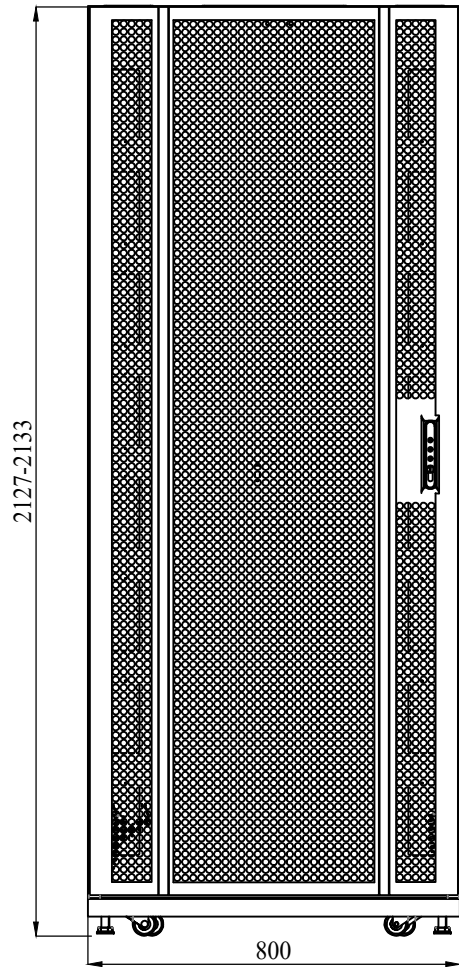
Customer: -
Design by: Nguyễn Xuân Hùng **Date:** 06-03-2019
Drawn by: Nguyễn Xuân Hùng **Date:** 06-03-2019
File name:

Drawing title:
 AMTEC ROYAL-DC DATACENTER CABINET
 45U 800x1200
Checked by: Lê Hoàng Tuấn **Date:** 06-03-2019
Approved by: Phan Quang Đức **Date:** 06-03-2019

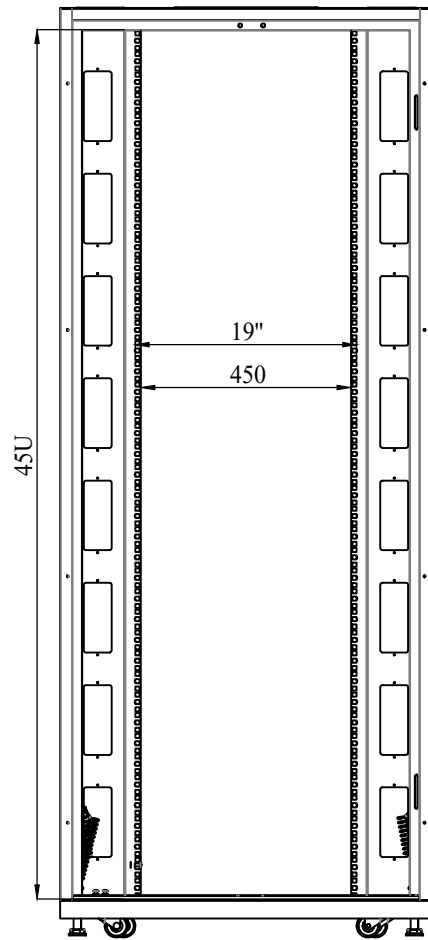
Part No: AMDC45-8120
Material: SPCC t= 1 to 2 **Scale:** 1:20
Qty/Job: - **Unit:** mm
Drawing No: 02

Sheet No:
 07

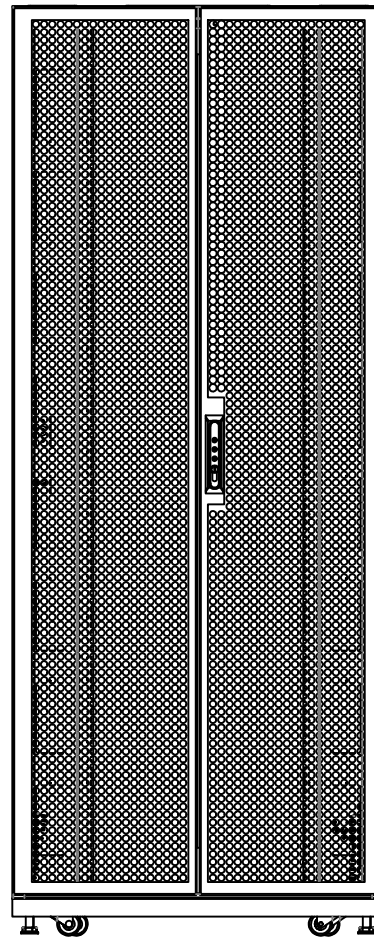
FRONT VIEW



**FRONT VIEW
(REMOVED DOOR)**

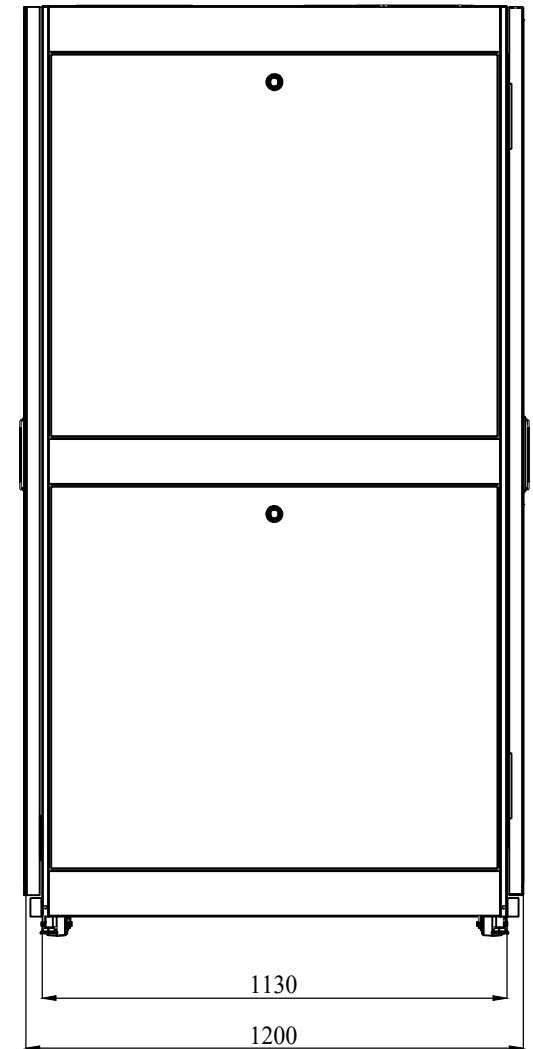


REAR VIEW



SIDE VIEW

3



ANH MINH TECHNOLOGY COMPANY LIMITED-AMTEC CO.,LTD
 17/3, Binh Quoi A, Binh Chuan, Thuan An, Binh Duong, Viet Nam
 Tel: (84-274) 3612177 Fax: (84-274) 3612178
 Email: info@amtec.com.vn Web: www.amtec.com.vn

Customer: -

Design by: Nguyễn Xuân Hùng **Date:** 06-03-2019

Drawn by: Nguyễn Xuân Hùng **Date:** 06-03-2019

File name:

Drawing title:
 AMTEC ROYAL-DC DATACENTER CABINET
 45U 800x1200

Checked by: Lê Hoàng Tuấn **Date:** 06-03-2019

Approved by: Phan Quang Đức **Date:** 06-03-2019

Part No: AMDC45-8120

Material: SPCC t=1.0 2 **Scale:** 1:15

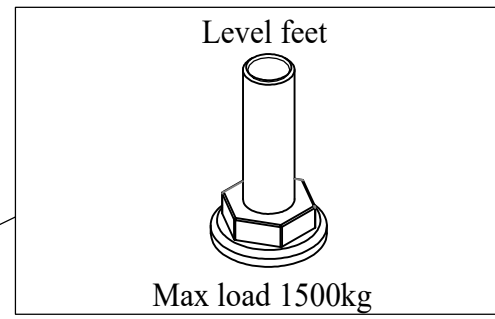
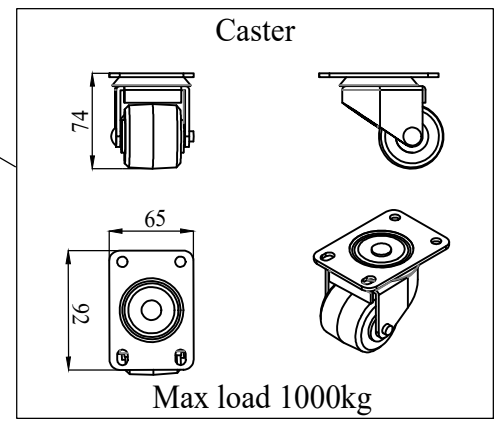
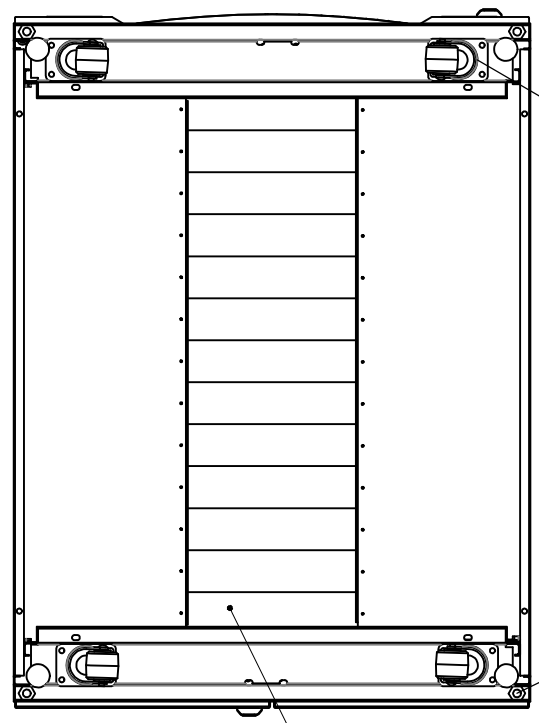
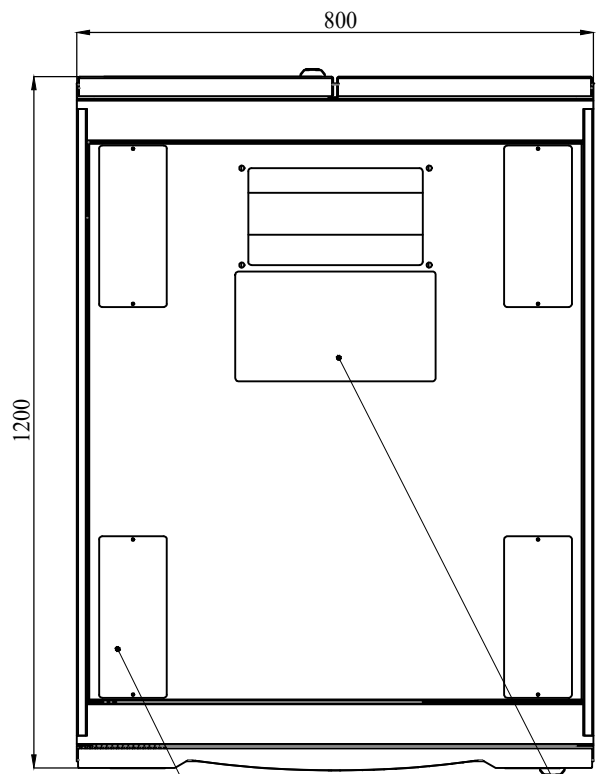
Qty/Job: - **Unit:** mm

Drawing No: 03

Sheet No:
 07

TOP VIEW

BOTTOM VIEW



Cable hole 100x240 (4x)

Cable hole 150x270 (2x)

Cable hole 60x270

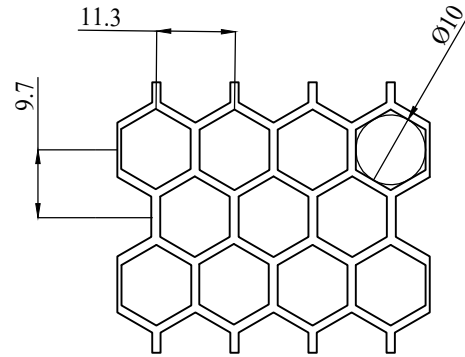
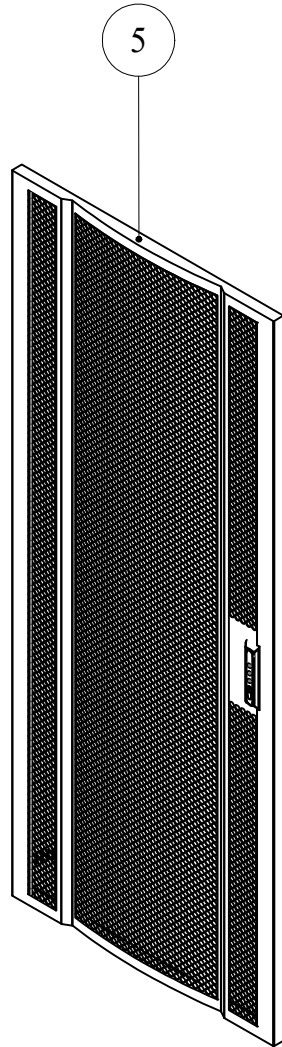


ANH MINH TECHNOLOGY COMPANY LIMITED-AMTEC CO.,LTD
 17/3, Binh Quoi A, Binh Chuan, Thuan An, Binh Duong, Viet Nam
 Tel: (84-274) 3612177 Fax: (84-274) 3612178
 Email: info@amtec.com.vn Web: www.amtec.com.vn

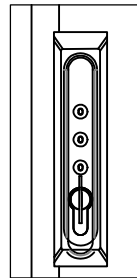
Customer:	-	Drawing title:	AMTEC ROYAL-DC DATACENTER CABINET 45U 800x1200		Part No:	AMDC45-8120							
Design by:	Nguyễn Xuân Hùng	Date:	06-03-2019	Checked by:	Lê Hoàng Tuấn	Date:	06-03-2019		Material:	SPCC t=1 to 2	Scale:	1:10	Sheet No:
Drawn by:	Nguyễn Xuân Hùng	Date:	06-03-2019	Approved by:	Phan Quang Đức	Date:	06-03-2019		Qty/Job:	-	Unit:	mm	
File name:				Drawing No:	04								

DETAIL ITEM: 5-9-10

5

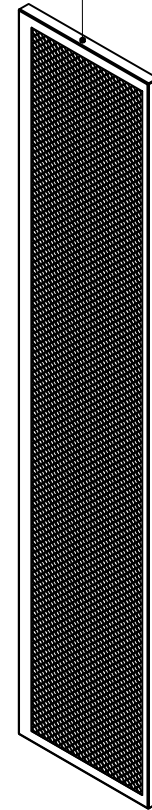


>80% HEXAGON PERFORATED DOOR

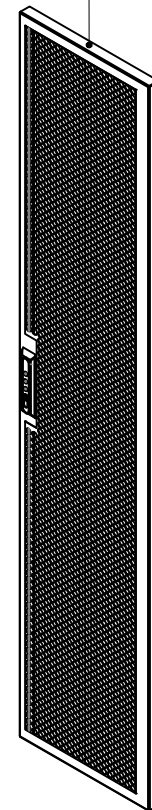


SWINGHANDLE KEY

9



10



ANH MINH TECHNOLOGY COMPANY LIMITED-AMTEC CO.,LTD
 17/3, Binh Quoi A, Binh Chuan, Thuan An, Binh Duong, Viet Nam
 Tel: (84-274) 3612177 Fax: (84-274) 3612178
 Email: info@amtec.com.vn Web: www.amtec.com.vn

Customer:	-
Design by:	Nguyễn Xuân Hùng
Drawn by:	Nguyễn Xuân Hùng
File name:	

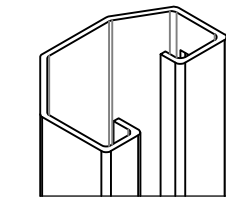
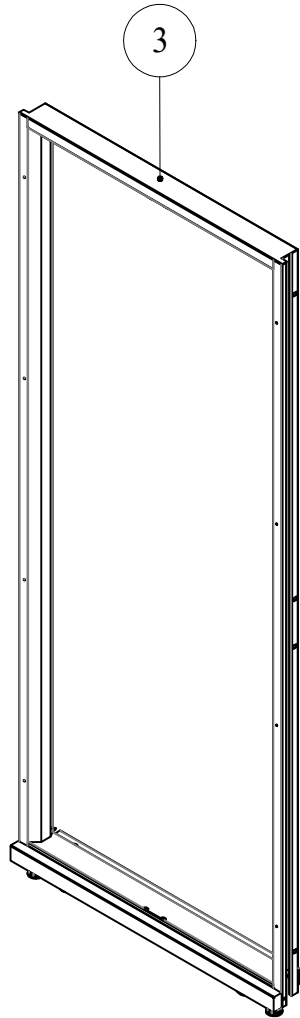
Drawing title:	AMTEC ROYAL-DC DATACENTER CABINET 45U 800x1200
Checked by:	Lê Hoàng Tuấn
Approved by:	Phan Quang Đức

Part No:	AMDC45-8120
Material:	SPCC t=1 to 2
Qty/Job:	-
Drawing No:	05

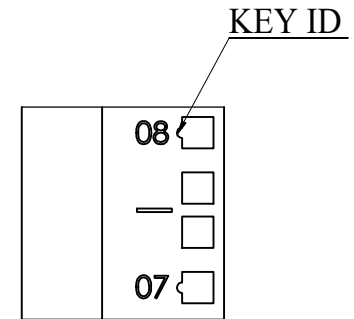
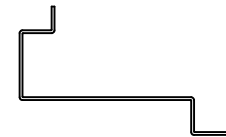
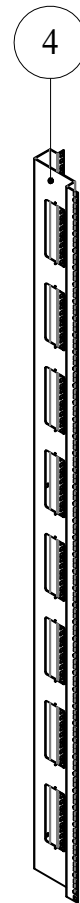
Scale:	1:15
Unit:	mm
Sheet No:	07

DETAIL ITEM: 3-4

6



XTRUK 9 SIDES
MAX LOAD 1500kg



MOUNTING PROFILE
WITH KEY ID&U-HIGH
NUMBERING

Thanh bắt thiết bị 6 cạnh vững chắc
và được đánh số rõ ràng từng U từ thấp đến cao

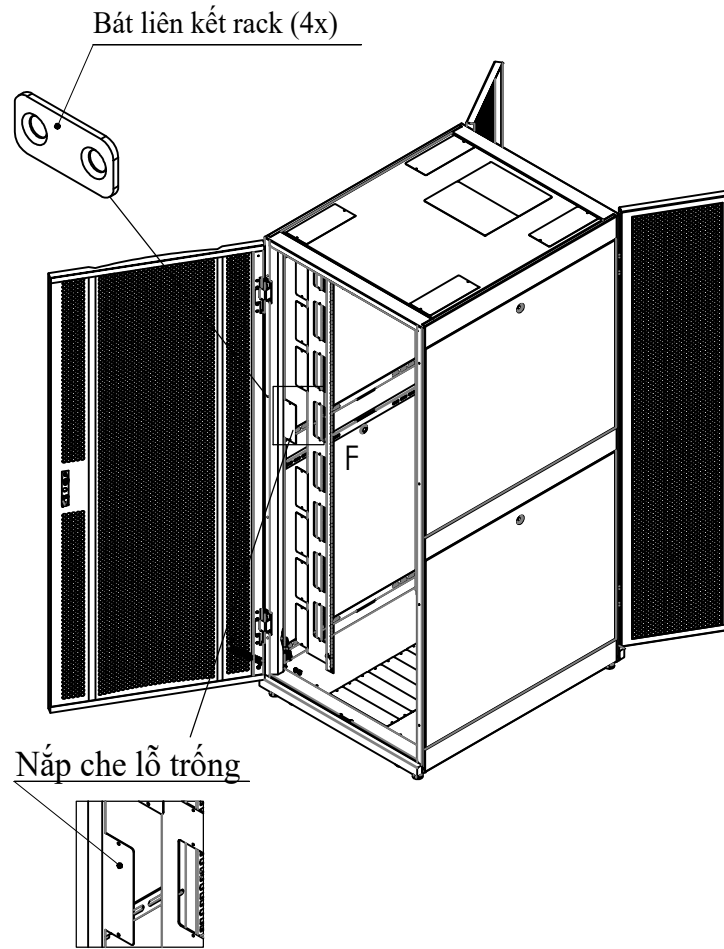


ANH MINH TECHNOLOGY COMPANY LIMITED-AMTEC CO.,LTD
17/3, Binh Quoi A, Binh Chuan, Thuan An, Binh Duong, Viet Nam
Tel: (84-274) 3612177 Fax: (84-274) 3612178
Email: info@amtec.com.vn Web: www.amtec.com.vn

Customer:	-	Drawing title:	AMTEC ROYAL-DC DATACENTER CABINET 45U 800x1200	Part No:	AMDC45-8120								
Design by:	Nguyễn Xuân Hùng	Date:	06-03-2019	Checked by:	Lê Hoàng Tuấn		Date:	06-03-2019	Material:	SPCC t=1 to 2	Scale:	1:15	Sheet No:
Drawn by:	Nguyễn Xuân Hùng	Date:	06-03-2019	Approved by:	Phan Quang Đức	Date:	06-03-2019	Qty/Job:	-	Unit:	mm		
File name:				Drawing No:	06								

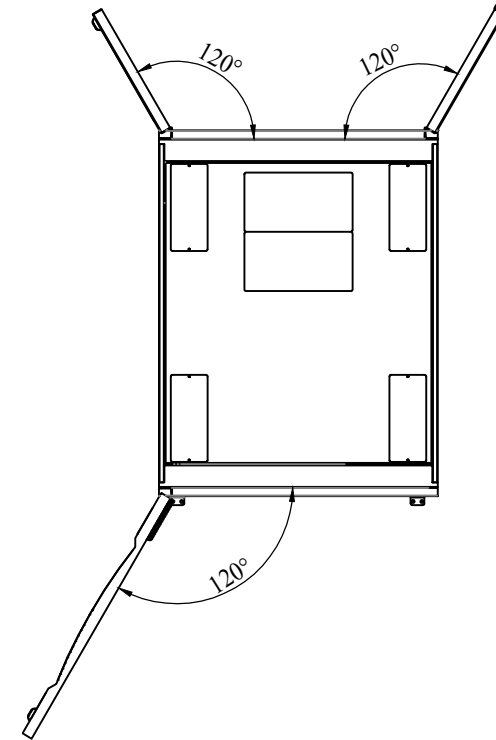
ISOMETRIC VIEW

TOP VIEW



DETAIL F
SCALE 1 : 10

Góc mở cửa trước và sau 120 độ



ANH MINH TECHNOLOGY COMPANY LIMITED-AMTEC CO.,LTD
17/3, Binh Quoi A, Binh Chuan, Thuan An, Binh Duong, Viet Nam
Tel: (84-274) 3612177 Fax: (84-274) 3612178
Email: info@amtec.com.vn Web: www.amtec.com.vn

Customer:	-	Drawing title:	AMTEC ROYAL-DC DATACENTER CABINET 45U 800x1200		Part No:	AMDC45-8120							
Design by:	Nguyễn Xuân Hùng	Date:	06-03-2019	Checked by:	Lê Hoàng Tuấn	Date:		06-03-2019	Material:	SPCC t=1 to 2	Scale:	1:25	Sheet No:
Drawn by:	Nguyễn Xuân Hùng	Date:	06-03-2019	Approved by:	Phan Quang Đức	Date:	06-03-2019	Qty/Job:	-	Unit:	mm		
File name:					Drawing No:	07							