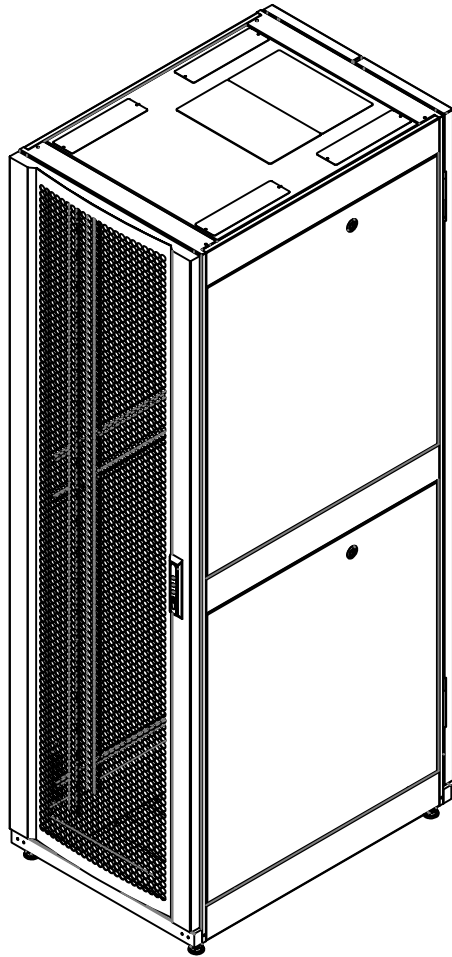
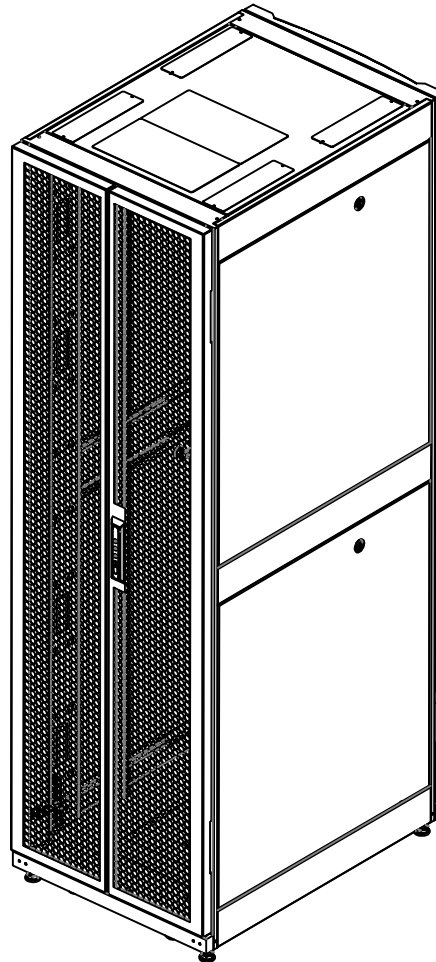


## FRONT&RIGHT VIEW



## REAR&LEFT VIEW



①

### Thông số kỹ thuật:

1	Các tiêu chuẩn	<ul style="list-style-type: none"> <li>. ANSI/EIA 310-D, phần A</li> <li>. DIN 41494.</li> <li>. BS 5954 phần 2.</li> <li>. IEC 60297-1, IEC 60297-2</li> <li>. RoHS.</li> <li>. IP20.</li> </ul>
2	Độ dày thép	<ul style="list-style-type: none"> <li>. Khung 2mm.</li> <li>. Thanh treo thiết bị 2mm.</li> <li>. Cửa trước và sau 1.2mm.</li> <li>. Cửa hông 1mm.</li> <li>. Đế che 1.5mm</li> <li>. Thanh bắt nguồn/Quản lý cáp 1mm.</li> <li>. Thanh nối khung trước&amp;sau 2mm.</li> </ul>
3	Tải trọng	<ul style="list-style-type: none"> <li>. Trên các bánh xe 1000 kg.</li> <li>. Trên các chân đế 1500 kg.</li> <li>. Tải trọng trên nóc 80 kg.</li> <li>. Tải trọng trên đế 80 kg.</li> </ul>
4	Màu sơn	Sơn tĩnh điện màu đen
5	Độ thông thoáng	Cửa lưới lọc gió trước&sau thông thoáng >80%

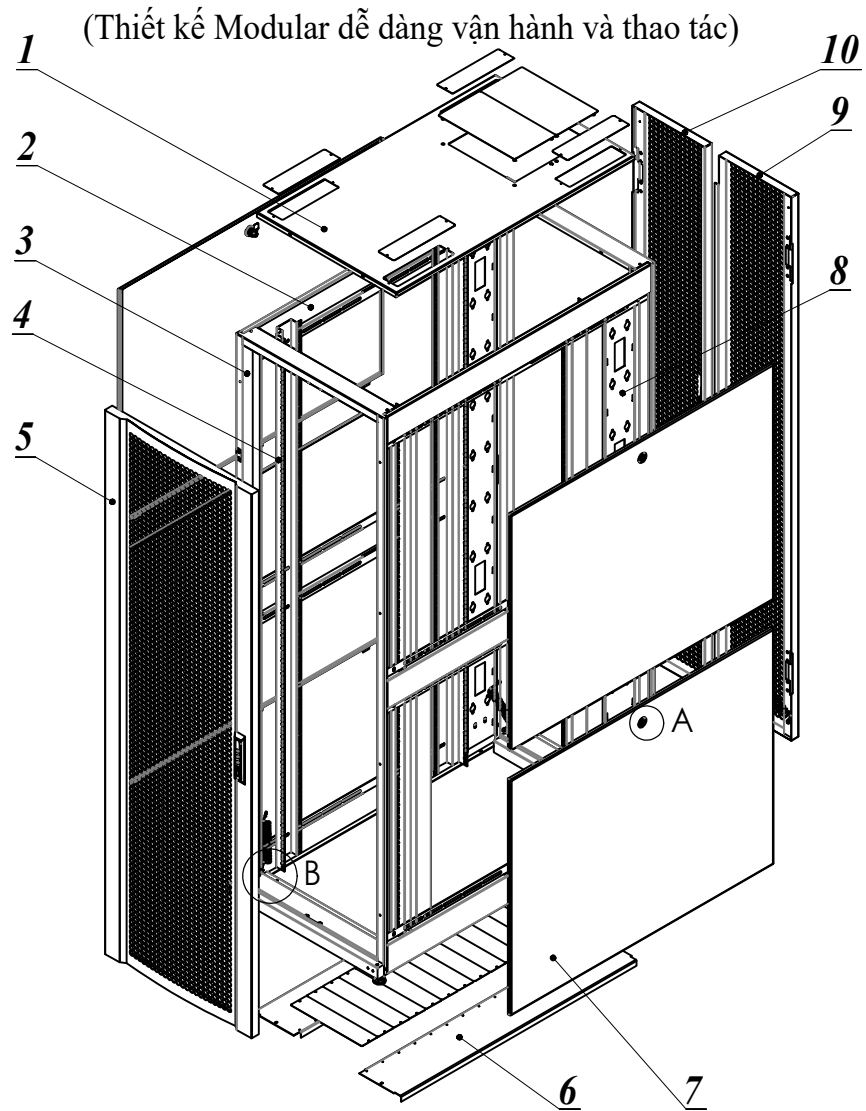


ANH MINH TECHNOLOGY COMPANY LIMITED-AMTEC CO.,LTD  
 17/3, Binh Quoi A, Binh Chuan, Thuan An, Binh Duong, Viet Nam  
 Tel: (84-274) 3612177 Fax: (84-274) 3612178  
 Email: info@amtec.com.vn Web: www.amtec.com.vn

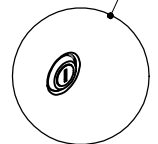
Customer:	Drawing title: AMTEC ROYAL-DC DATACENTER CABINET 48U 600x800	Part No: AMDC48-680	
Design by: Nguyễn Xuân Hùng Date: 06-03-2019	Checked by: Lê Hoàng Tuấn Date: 06-03-2019	Material: SPCC $\mp$ 1 to 2 Scale: 1:20	
Drawn by: Nguyễn Xuân Hùng Date: 06-03-2019	Approved by: Phan Quang Đức Date: 06-03-2019	Qty/Job: - Unit: mm	
File name: -	Drawing No: 01		

# EXPLODE VIEW

②

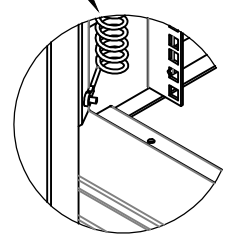


Khóa cửa hông  
(4 cánh dùng chung chìa)



DETAIL A  
SCALE 1 : 5

Vị trí tiếp địa  
(1 Vị trí cửa trước,  
2 vị trí cửa sau)



DETAIL B  
SCALE 1 : 5

10	Rear door right	1	1.2	>80% perforated
9	Rear door left	1	1.2	>80% perforated
8	Cable management	2	1.0	Up to 4 PDU
7	Side door	4	1.0	
6	Base	2	1.5	
5	Front door	1	1.2	>80% perforated
4	Profile bar	4	2.0	
3	Frame	4	2.0	
2	Support bar	6	2.0	
1	Top roof	1	1.2	
Item	Name	Q'TY	Thick	Description



ANH MINH TECHNOLOGY COMPANY LIMITED-AMTEC CO.,LTD  
17/3, Binh Quoi A, Binh Chuan, Thuan An, Binh Duong, Viet Nam  
Tel: (84-274) 3612177 Fax: (84-274) 3612178  
Email: info@amtec.com.vn Web: www.amtec.com.vn

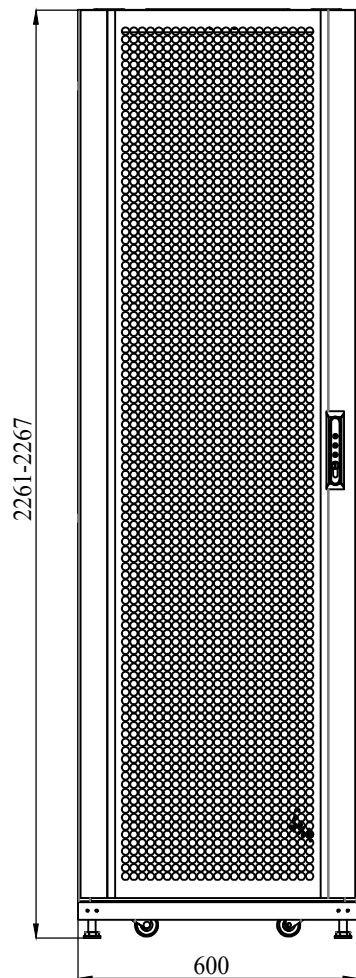
Customer:  
Design by: Nguyễn Xuân Hùng Date: 06-03-2019  
Drawn by: Nguyễn Xuân Hùng Date: 06-03-2019  
File name:

Drawing title:  
AMTEC ROYAL-DC DATACENTER CABINET  
48U 600x800  
Checked by: Lê Hoàng Tuấn Date: 06-03-2019  
Approved by: Phan Quang Đức Date: 06-03-2019

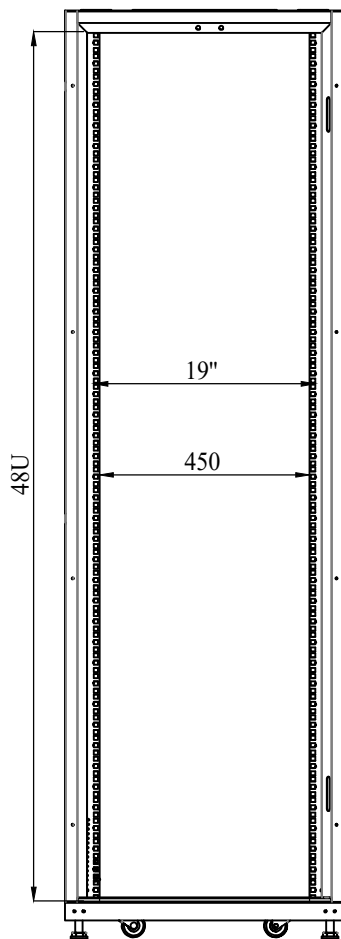
Part No: AMDC48-680  
Material: SPCC t= 1 to 2  
Scale: 1:20  
Qty/Job: - Unit: mm  
Drawing No: 02

Sheet No:  
07

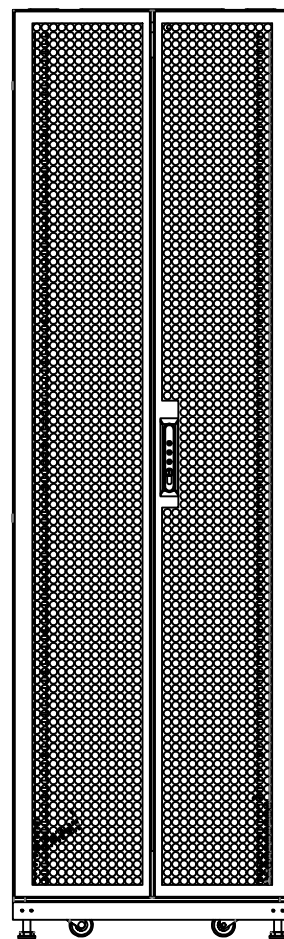
**FRONT VIEW**



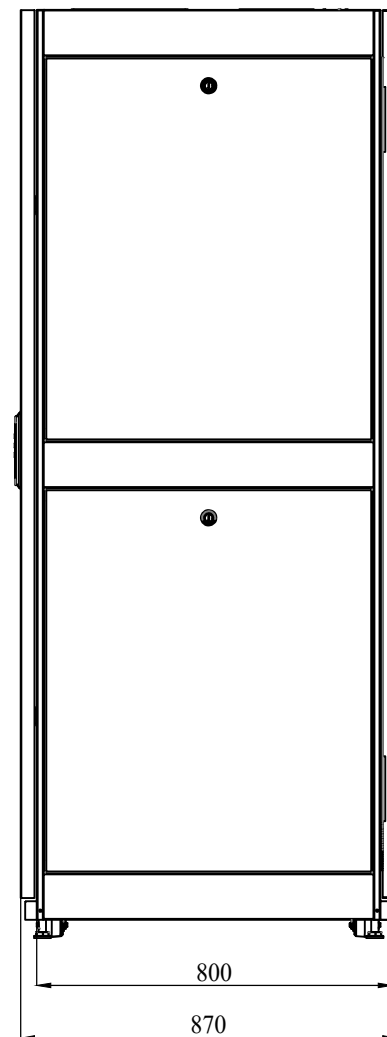
**FRONT VIEW  
(REMOVED DOOR)**



**REAR VIEW**



**SIDE VIEW**



③



ANH MINH TECHNOLOGY COMPANY LIMITED-AMTEC CO.,LTD  
 17/3, Binh Quoi A, Binh Chuan, Thuan An, Binh Duong, Viet Nam  
 Tel: (84-274) 3612177 Fax: (84-274) 3612178  
 Email: info@amtec.com.vn Web: www.amtec.com.vn

**Customer:**  
**Design by:** Nguyễn Xuân Hùng **Date:** 06-03-2019  
**Drawn by:** Nguyễn Xuân Hùng **Date:** 06-03-2019  
**File name:** -

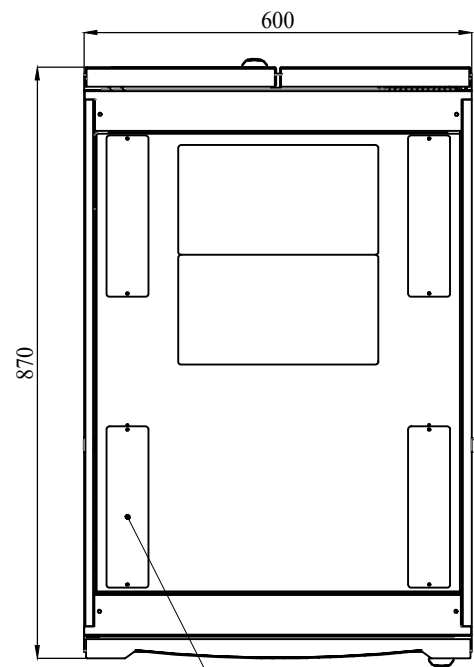
**Drawing title:**  
 AMTEC ROYAL-DC DATACENTER CABINET  
 48U 600x800  
**Checked by:** Lê Hoàng Tuấn **Date:** 06-03-2019  
**Approved by:** Phan Quang Đức **Date:** 06-03-2019

**Part No:** AMDC48-680  
**Material:** SPCC t=1.0 2 **Scale:** 1:15  
**Qty/Job:** - **Unit:** mm  
**Drawing No:** 03

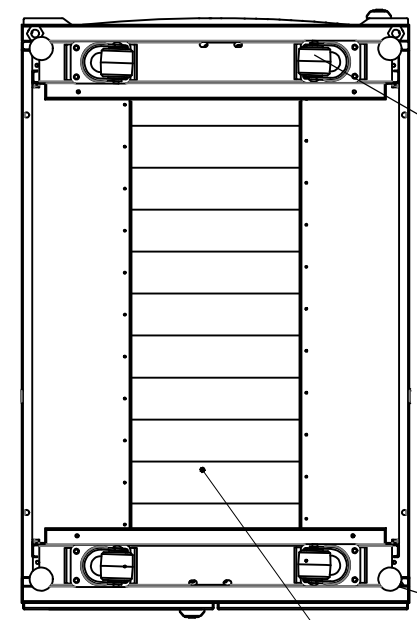
**Sheet No:**  
 07

TOP VIEW

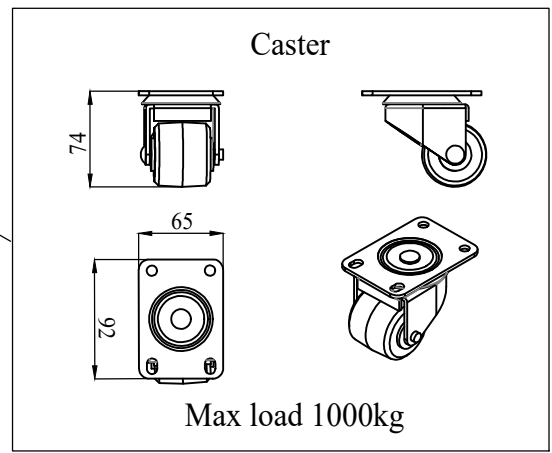
BOTTOM VIEW



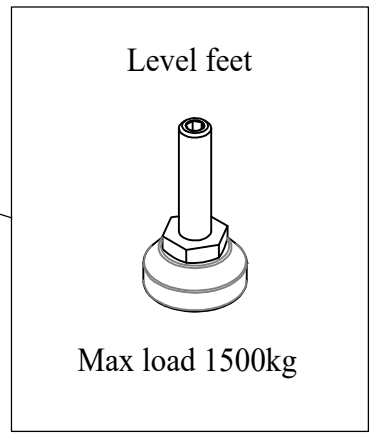
Cable hole 60x240 (4x)



Base Cover 65x270



Max load 1000kg



Max load 1500kg

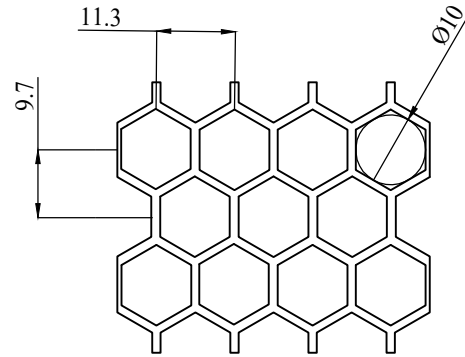
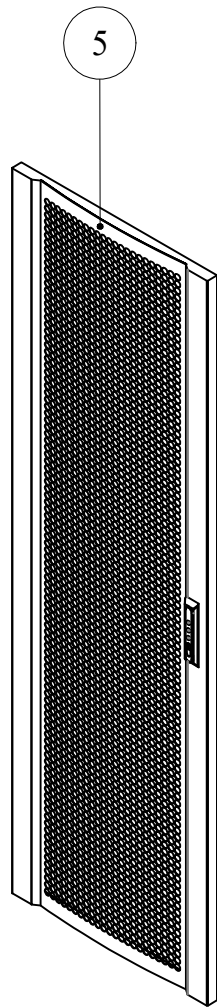


ANH MINH TECHNOLOGY COMPANY LIMITED-AMTEC CO.,LTD  
 17/3, Binh Quoi A, Binh Chuan, Thuan An, Binh Duong, Viet Nam  
 Tel: (84-274) 3612177 Fax: (84-274) 3612178  
 Email: info@amtec.com.vn Web: www.amtec.com.vn

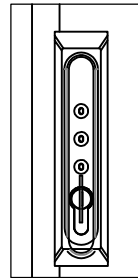
<b>Customer:</b>	<b>Drawing title:</b> AMTEC ROYAL-DC DATACENTER CABINET 48U 600x800	<b>Part No:</b> AMDC48-680		
<b>Design by:</b> Nguyễn Xuân Hùng <b>Date:</b> 06-03-2019	<b>Checked by:</b> Lê Hoàng Tuấn <b>Date:</b> 06-03-2019	<b>Material:</b> SPCC t=1 to 2	<b>Scale:</b> 1:10	
<b>Drawn by:</b> Nguyễn Xuân Hùng <b>Date:</b> 06-03-2019	<b>Approved by:</b> Phan Quang Đức <b>Date:</b> 06-03-2019	<b>Qty/Job:</b> -	<b>Unit:</b> mm	
<b>File name:</b>	-	<b>Drawing No:</b> 04		

# DETAIL ITEM: 5-9-10

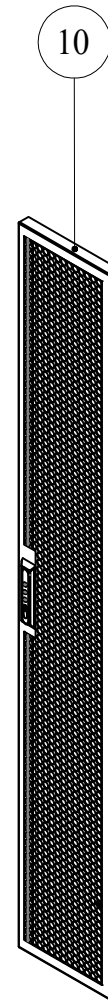
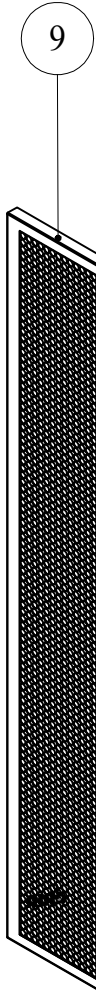
5



>80% HEXAGON PERFORATED DOOR



SWINGHANDLE KEY



ANH MINH TECHNOLOGY COMPANY LIMITED-AMTEC CO.,LTD  
 17/3, Binh Quoi A, Binh Chuan, Thuan An, Binh Duong, Viet Nam  
 Tel: (84-274) 3612177 Fax: (84-274) 3612178  
 Email: info@amtec.com.vn Web: www.amtec.com.vn

<b>Customer:</b>	
<b>Design by:</b> Nguyễn Xuân Hùng	<b>Date:</b> 06-03-2019
<b>Drawn by:</b> Nguyễn Xuân Hùng	<b>Date:</b> 06-03-2019
<b>File name:</b>	-

<b>Drawing title:</b>	AMTEC ROYAL-DC DATACENTER CABINET 48U 600x800
<b>Checked by:</b> Lê Hoàng Tuấn	<b>Date:</b> 06-03-2019
<b>Approved by:</b> Phan Quang Đức	<b>Date:</b> 06-03-2019

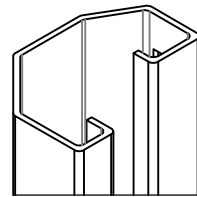
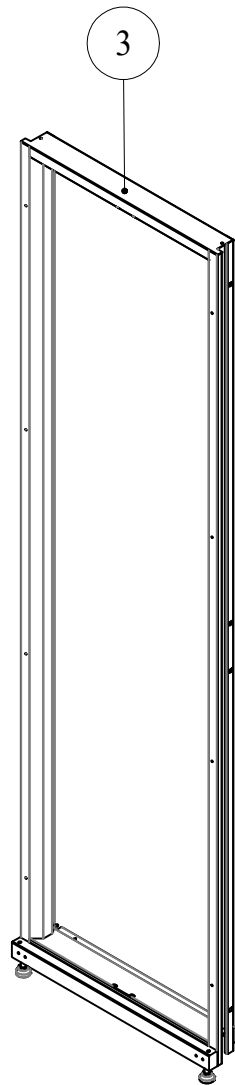
<b>Part No:</b>	AMDC48-680
<b>Material:</b> SPCC	t=1 to 2
<b>Scale:</b>	1:15
<b>Qty/Job:</b>	-
<b>Unit:</b>	mm
<b>Drawing No:</b>	05



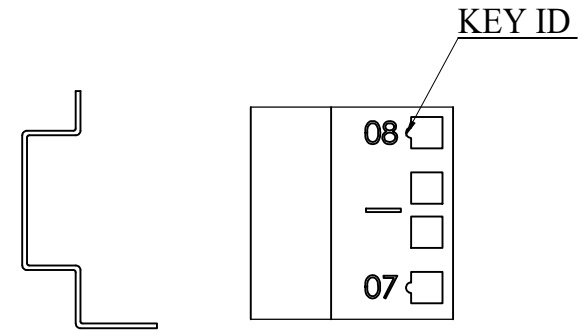
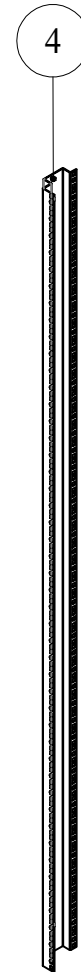
**Sheet No:**  
07

# DETAIL ITEM: 3-4

6



XTRUK 9 SIDES  
MAX LOAD 1500kg



MOUNTING PROFILE  
WITH KEY ID&U-HIGH  
NUMBERING

Thanh bắt thiết bị 6 cạnh vững chắc  
và được đánh số rõ ràng từng U từ thấp đến cao



ANH MINH TECHNOLOGY COMPANY LIMITED-AMTEC CO.,LTD  
17/3, Binh Quoi A, Binh Chuan, Thuan An, Binh Duong, Viet Nam  
Tel: (84-274) 3612177 Fax: (84-274) 3612178  
Email: info@amtec.com.vn Web: www.amtec.com.vn

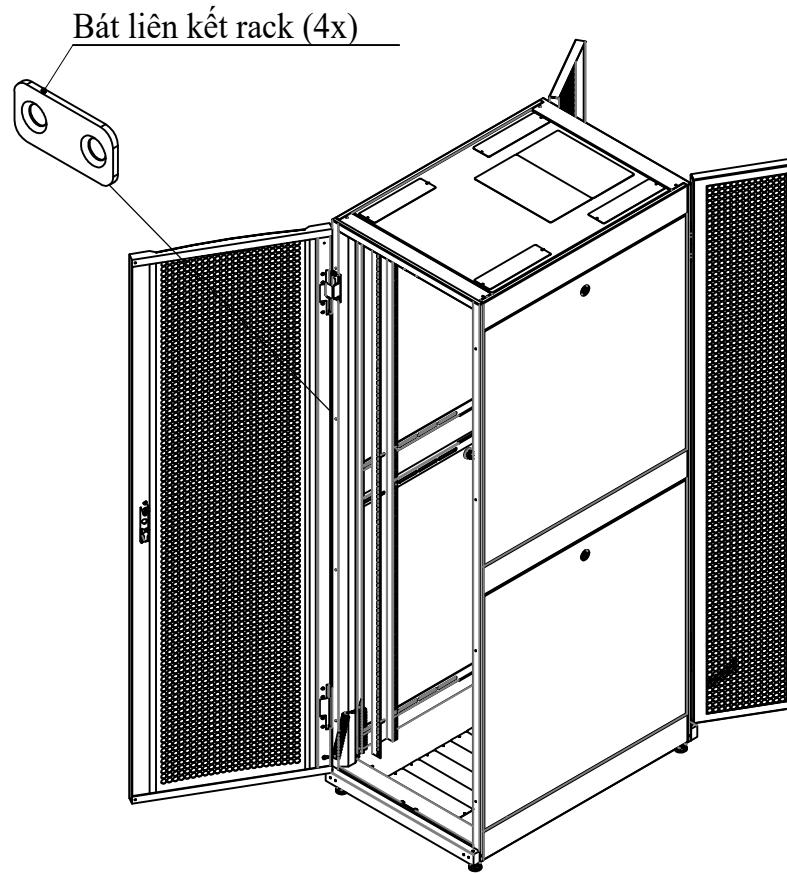
**Customer:**  
**Design by:** Nguyễn Xuân Hùng **Date:** 06-03-2019  
**Drawn by:** Nguyễn Xuân Hùng **Date:** 06-03-2019  
**File name:** -

**Drawing title:**  
AMTEC ROYAL-DC DATACENTER CABINET  
48U 600x800  
**Checked by:** Lê Hoàng Tuấn **Date:** 06-03-2019  
**Approved by:** Phan Quang Đức **Date:** 06-03-2019

**Part No:** AMDC48-680  
**Material:** SPCC t=1 to 2  
**Scale:** 1:15  
**Unit:** mm  
**Drawing No:** 06

**Sheet No:**  
07

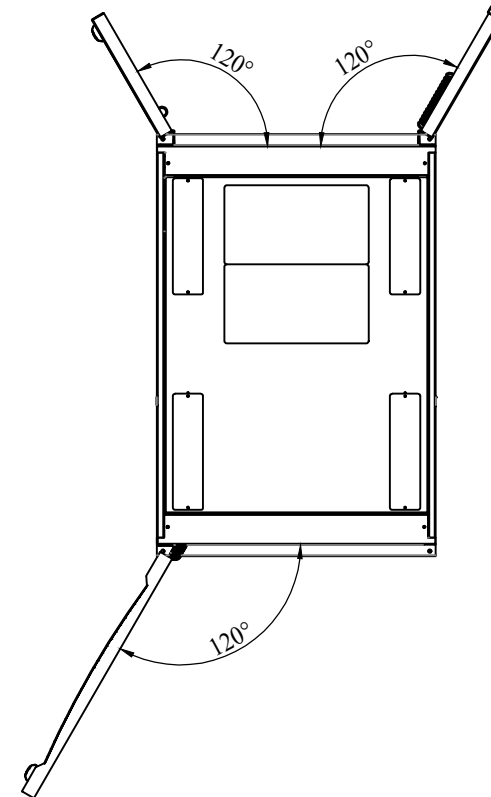
# ISOMETRIC VIEW



# TOP VIEW

7

Góc mở cửa trước và sau 120 độ



ANH MINH TECHNOLOGY COMPANY LIMITED-AMTEC CO.,LTD  
 17/3, Binh Quoi A, Binh Chuan, Thuan An, Binh Duong, Viet Nam  
 Tel: (84-274) 3612177 Fax: (84-274) 3612178  
 Email: info@amtec.com.vn Web: www.amtec.com.vn

<b>Customer:</b>	<b>Drawing title:</b> AMTEC ROYAL-DC DATACENTER CABINET 48U 600x800	<b>Part No:</b> AMDC48-680	
<b>Design by:</b> Nguyễn Xuân Hùng <b>Date:</b> 06-03-2019	<b>Checked by:</b> Lê Hoàng Tuấn <b>Date:</b> 06-03-2019	<b>Material:</b> SPCC t=1 to 2 <b>Scale:</b> 1:10	
<b>Drawn by:</b> Nguyễn Xuân Hùng <b>Date:</b> 06-03-2019	<b>Approved by:</b> Phan Quang Đức <b>Date:</b> 06-03-2019	<b>Qty/Job:</b> - <b>Unit:</b> mm	
<b>File name:</b>	-	<b>Drawing No:</b> 07	