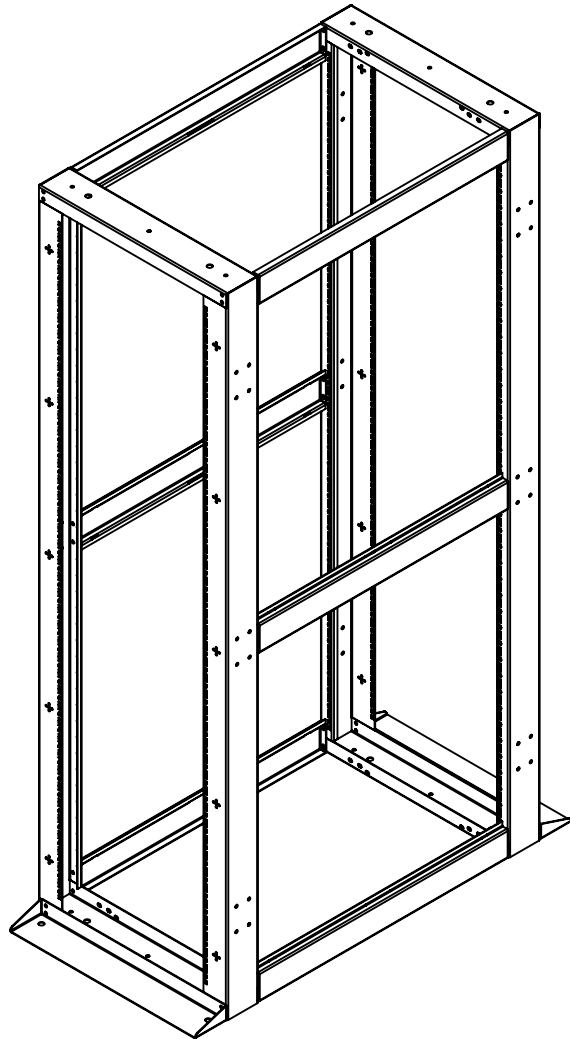
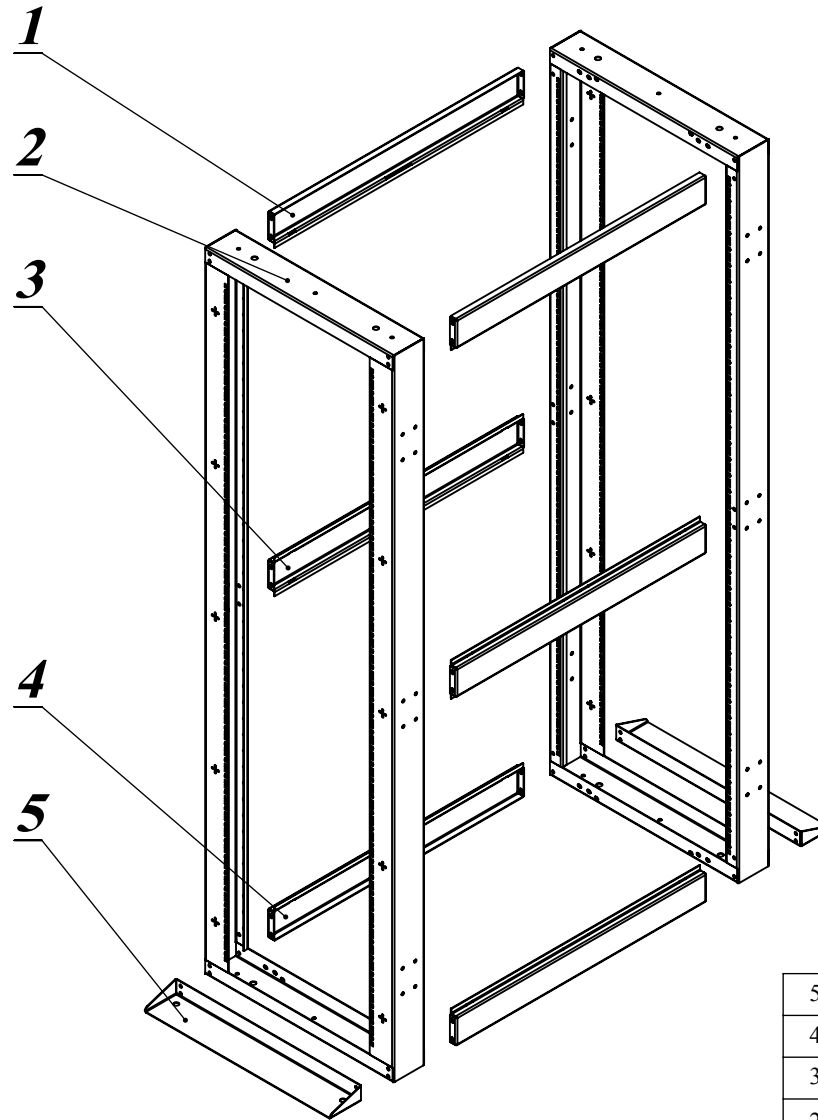


# ISOMETRIC VIEW



# EXPLODE VIEW



5	Base support	2	2.0	
4	Bottom Support	2	2.0	
3	Middle Support	2	2.0	
2	Frame	2	2.0	
1	Top Support	2	2.0	
Item	Name	Q'TY	Thick	Description



**ANH MINH TECHNOLOGY COMPANY LIMITED-AMTEC CO.,LTD**  
 17/3 Binh Quoi, Binh Chuan, Thuan An, Binh Duong, Viet Nam  
 Tel: (84-650) 3612177 Fax: (84-650) 3612178  
 Email: info@amtec.com.vn Web: www.amtec.com.vn

Customer:

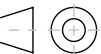
-

Drawing title:

AMTEC SMART- NET 4 POST OPEN RACK 42U 600x1100

Part No:

AMS-042-4-110



Design by: NGUYỄN XUÂN HÙNG Date: 10-03-2016

Checked by: LÊ HOÀNG TUẤN Date: 10-03-2016

Material: SPCC  $\varphi$  2

Scale: 1:17

Sheet No:

Drawn by: NGUYỄN XUÂN HÙNG Date: 10-03-2016

Approved by: PHAN QUANG ĐỨC Date: 10-03-2016

Qty/Job:

-

Unit: mm

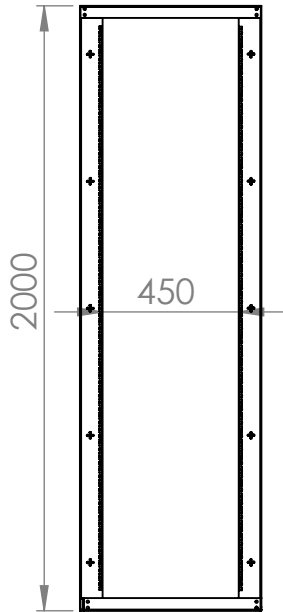
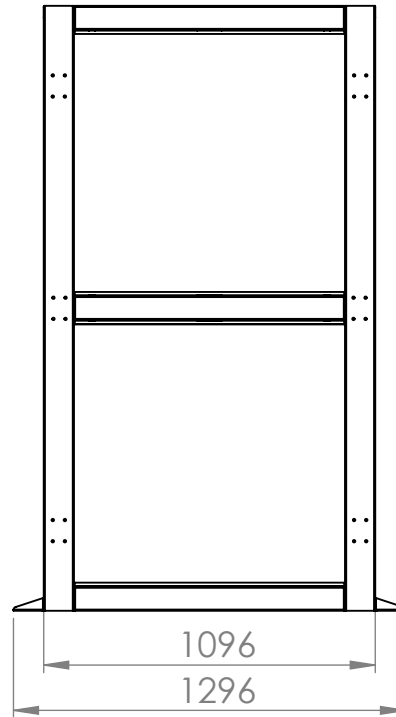
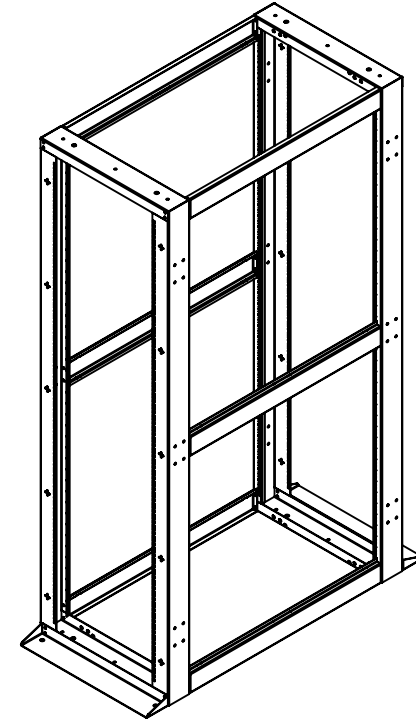
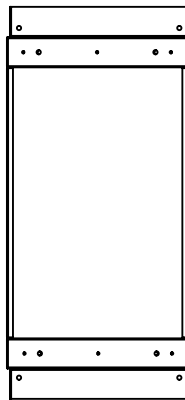
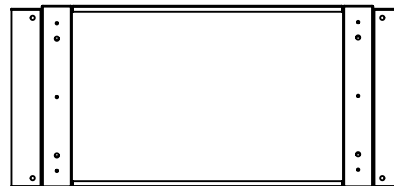
02

File name:

-

Drawing No:

01

**FRONT VIEW****SIDE VIEW****ISOMETRIC VIEW****TOP VIEW****BOTTOM VIEW**

**ANH MINH TECHNOLOGY COMPANY LIMITED-AMTEC CO.,LTD**  
 17/3 Binh Quoi, Binh Chuan, Thuan An, Binh Duong, Viet Nam  
 Tel: (84-650) 3612177 Fax: (84-650) 3612178  
 Email: info@amtec.com.vn Web: www.amtec.com.vn

**Customer:**

-

**Drawing title:**

AMTEC SMART- NET 4 POST OPEN RACK 42U 600x1100

**Part No:**

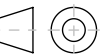
AMS-042-4-110

**Design by:** NGUYỄN XUÂN HÙNG **Date:** 10-03-2016**Checked by:** LÊ HOÀNG TUẤN **Date:** 10-03-2016**Material:** SPCC  $\varnothing 2$ **Scale:** 1:25**Drawn by:** NGUYỄN XUÂN HÙNG **Date:** 10-03-2016**Approved by:** PHAN QUANG ĐỨC **Date:** 10-03-2016**Qty/Job:** -**Unit:** mm**File name:**

-

**Drawing No:**

02

**Sheet No:**

02