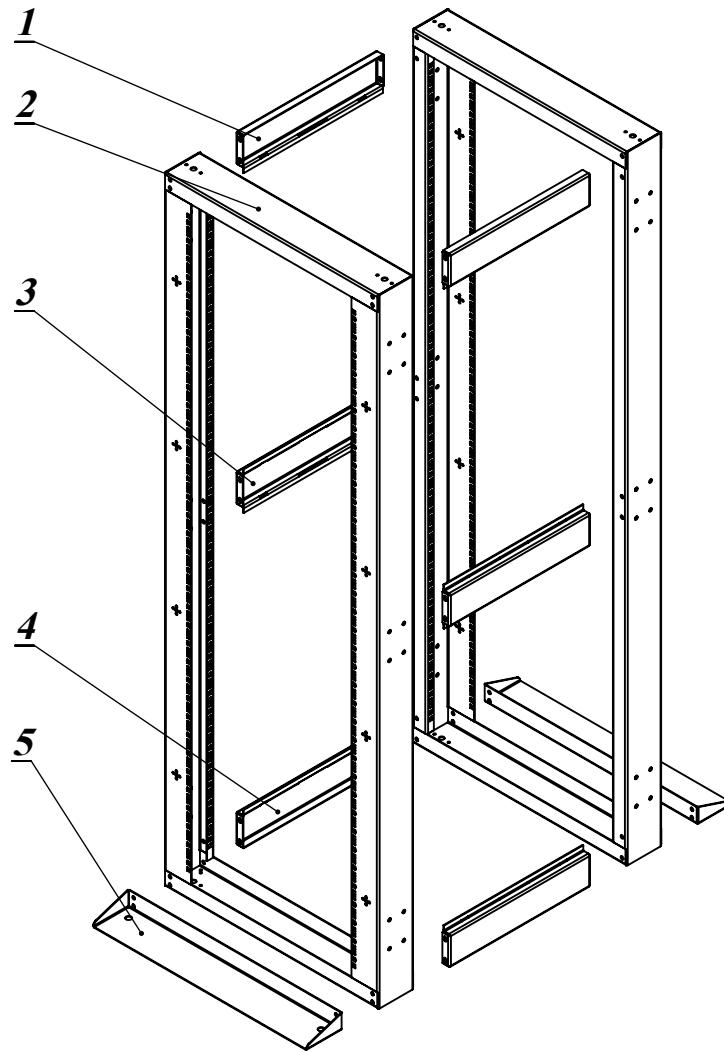
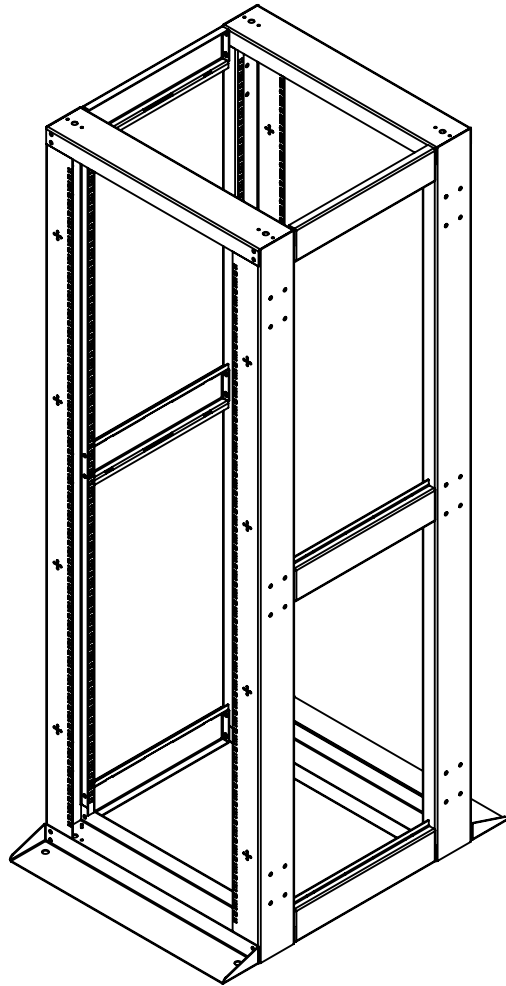


ISOMETRIC VIEW

EXPLODE VIEW



5	Base support	2	2.0	
4	Bottom Support	2	2.0	
3	Middle Support	2	2.0	
2	Frame	2	2.0	
1	Top Support	2	2.0	
Item	Name	Q'TY	Thick	Description

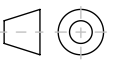


ANH MINH TECHNOLOGY COMPANY LIMITED-AMTEC CO.,LTD
 17/3 Binh Quoi, Binh Chuan, Thuan An, Binh Duong, Viet Nam
 Tel: (84-650) 3612177 Fax: (84-650) 3612178
 Email: info@amtec.com.vn Web: www.amtec.com.vn

Customer: -
Design by: NGUYỄN XUÂN HÙNG **Date:** 10-03-2016
Drawn by: NGUYỄN XUÂN HÙNG **Date:** 10-03-2016
File name: -

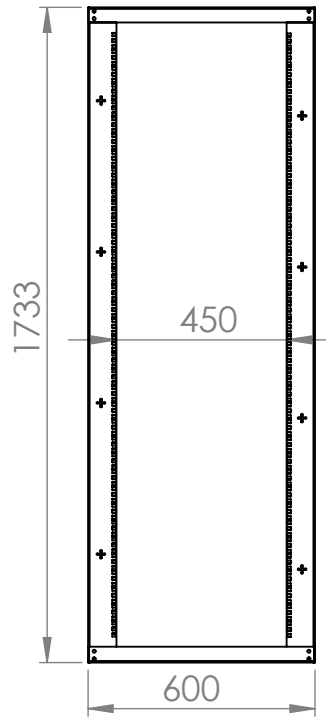
Drawing title: AMTEC SMART- NET 4 POST OPEN RACK 36U 600x600
Checked by: LÊ HOÀNG TUẤN **Date:** 10-03-2016
Approved by: PHAN QUANG ĐỨC **Date:** 10-03-2016

Part No: AMS-036-4-60
Material: SPCC $t=2$ **Scale:** 1:15
Qty/Job: - **Unit:** mm
Drawing No: 01

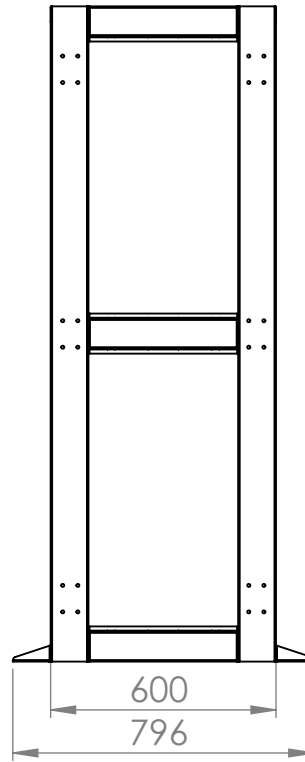


Sheet No: 02

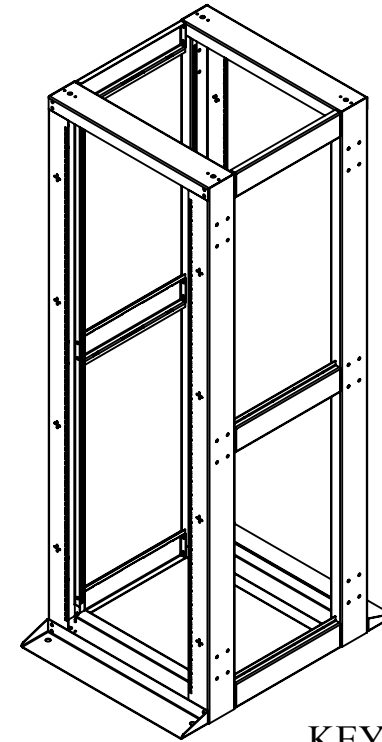
FRONT VIEW



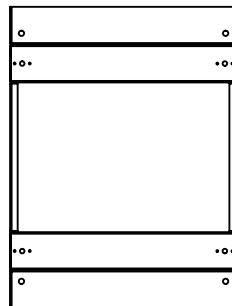
SIDE VIEW



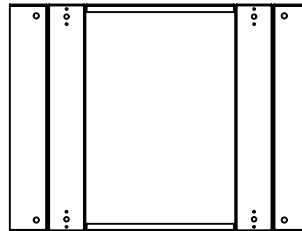
ISOMETRIC VIEW



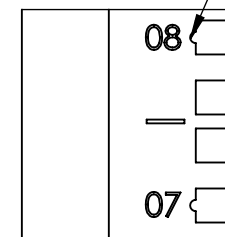
TOP VIEW



BOTTOM VIEW



KEY ID

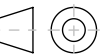


MOUNTING PROFILE
WITH KEY ID&U-HIGH
NUMBERING



ANH MINH TECHNOLOGY COMPANY LIMITED-AMTEC CO.,LTD
17/3 Binh Quoi, Binh Chuan, Thuan An, Binh Duong, Viet Nam
Tel: (84-650) 3612177 Fax: (84-650) 3612178
Email: info@amtec.com.vn Web: www.amtec.com.vn

Customer:	-	Drawing title:	AMTEC SMART- NET 4 POST OPEN RACK 36U 600x600		Part No:	AMS-O36-4-60	
Design by:	NGUYỄN XUÂN HÙNG	Date:	10-03-2016	Checked by:	LÊ HOÀNG TUẤN	Date:	10-03-2016
Drawn by:	NGUYỄN XUÂN HÙNG	Date:	10-03-2016	Approved by:	PHAN QUANG ĐỨC	Date:	10-03-2016
File name:	-	Material:	SPCC	Scale:	1:20	Unit:	mm
		Qty/Job:	-	Drawing No:	02		



Sheet No:

02