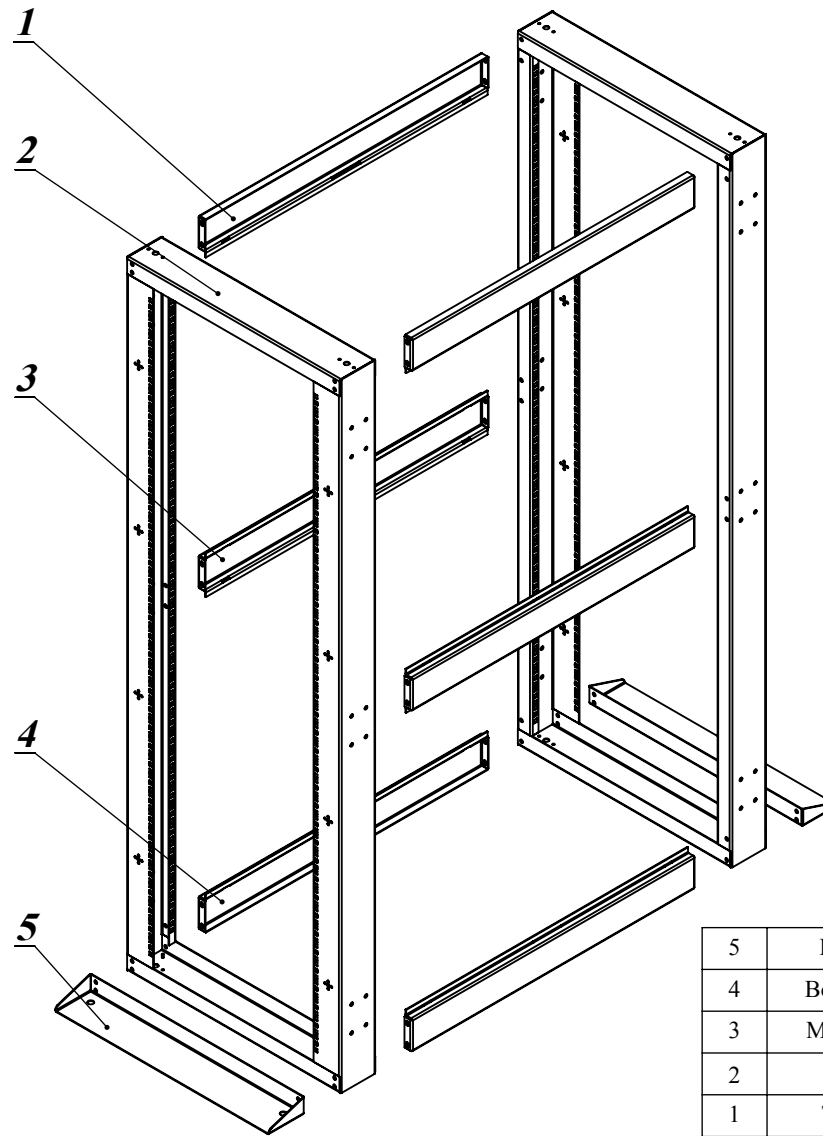
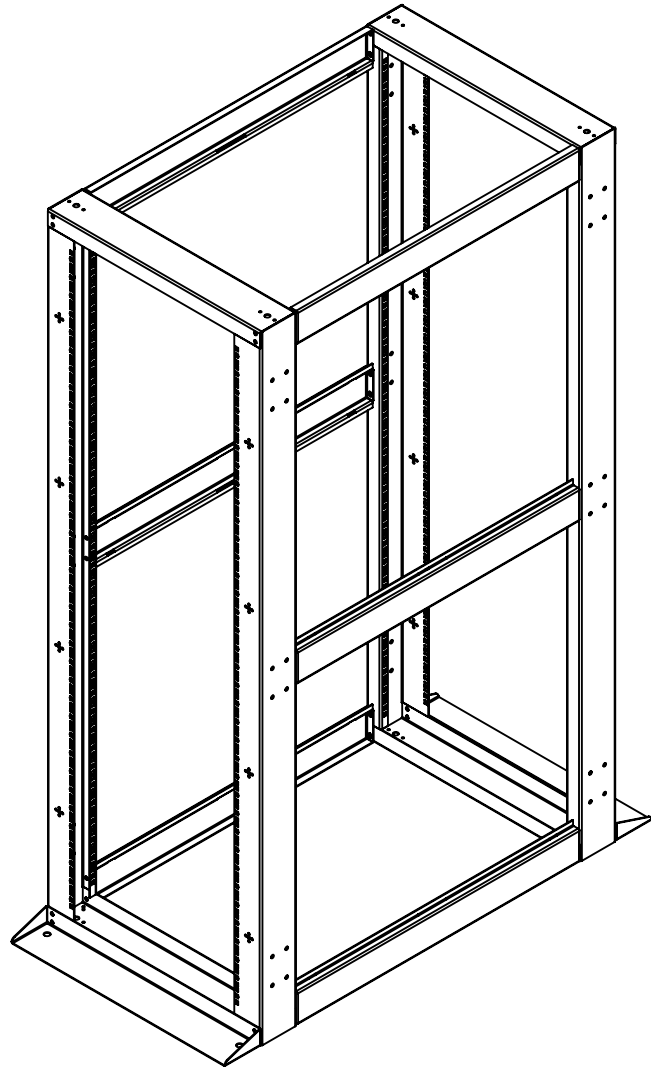


# ISOMETRIC VIEW

# EXPLODE VIEW



5	Base support	2	2.0	
4	Bottom Support	2	2.0	
3	Middle Support	2	2.0	
2	Frame	2	2.0	
1	Top Support	2	2.0	
Item	Name	Q'TY	Thick	Description



ANH MINH TECHNOLOGY COMPANY LIMITED-AMTEC CO.,LTD  
 17/3 Binh Quoi, Binh Chuan, Thuan An, Binh Duong, Viet Nam  
 Tel: (84-650) 3612177 Fax: (84-650) 3612178  
 Email: info@amtec.com.vn Web: www.amtec.com.vn

Customer:

-

Drawing title:

AMTEC SMART- NET 4 POST OPEN RACK 36U 600x1000

Part No:

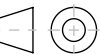
AMS-O36-4-100

Design by: NGUYỄN XUÂN HÙNG Date: 10-03-2016

Checked by: LÊ HOÀNG TUẤN Date: 10-03-2016

Material: SPCC  $\varnothing$  2

Scale: 1:17



Sheet No:

Drawn by: NGUYỄN XUÂN HÙNG Date: 10-03-2016

Approved by: PHAN QUANG ĐỨC Date: 10-03-2016

Qty/Job: -

Unit: mm

02

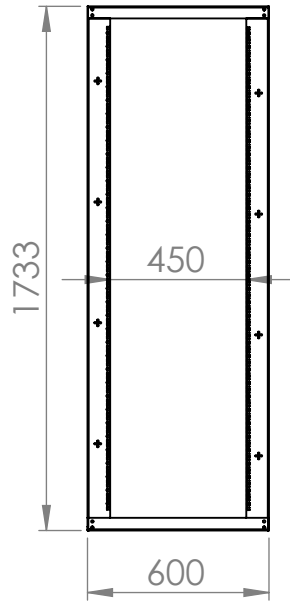
File name:

-

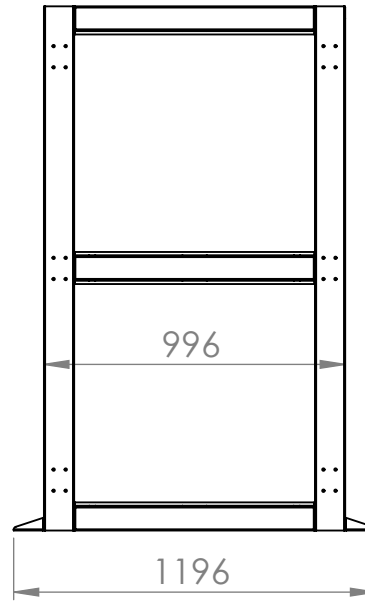
Drawing No:

01

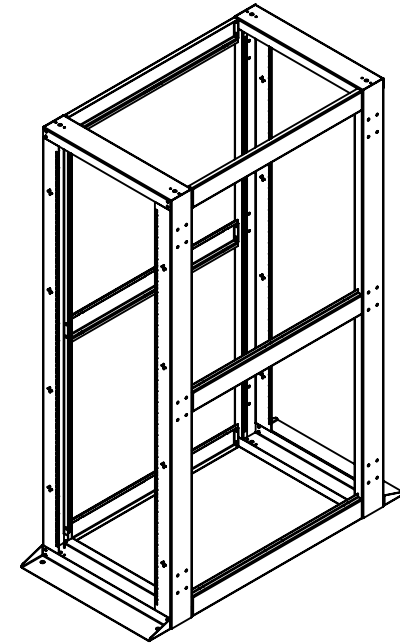
**FRONT VIEW**



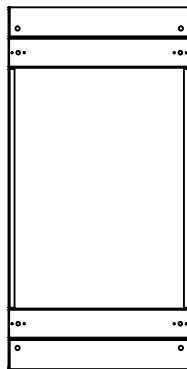
**SIDE VIEW**



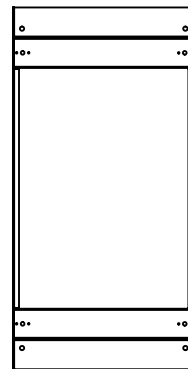
**ISOMETRIC VIEW**



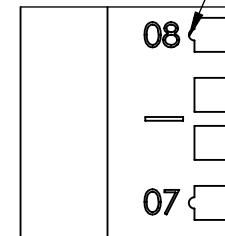
**TOP VIEW**



**BOTTOM VIEW**



KEY ID

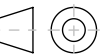


MOUNTING PROFILE WITH KEY ID&U-HIGH NUMBERING



**ANH MINH TECHNOLOGY COMPANY LIMITED-AMTEC CO.,LTD**  
 17/3 Binh Quoi, Binh Chuan, Thuan An, Binh Duong, Viet Nam  
 Tel: (84-650) 3612177 Fax: (84-650) 3612178  
 Email: info@amtec.com.vn Web: www.amtec.com.vn

<b>Customer:</b>	-	<b>Drawing title:</b>	AMTEC SMART- NET 4 POST OPEN RACK 36U 600x1000	<b>Part No:</b>	AMS-036-4-100
<b>Design by:</b>	NGUYỄN XUÂN HÙNG	<b>Date:</b>	10-03-2016	<b>Checked by:</b>	LÊ HOÀNG TUẤN
<b>Drawn by:</b>	NGUYỄN XUÂN HÙNG	<b>Date:</b>	10-03-2016	<b>Approved by:</b>	PHAN QUANG ĐỨC
<b>File name:</b>	-	<b>Material:</b>	SPCC t=2	<b>Scale:</b>	1:25
		<b>Qty/Job:</b>	-	<b>Unit:</b>	mm
		<b>Drawing No:</b>	02		



Sheet No:

02